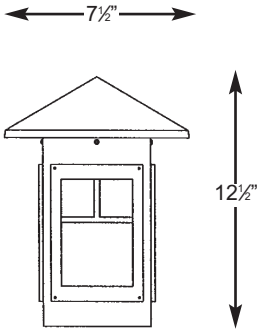


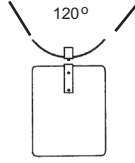



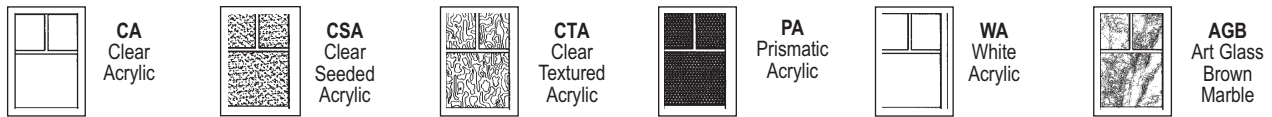


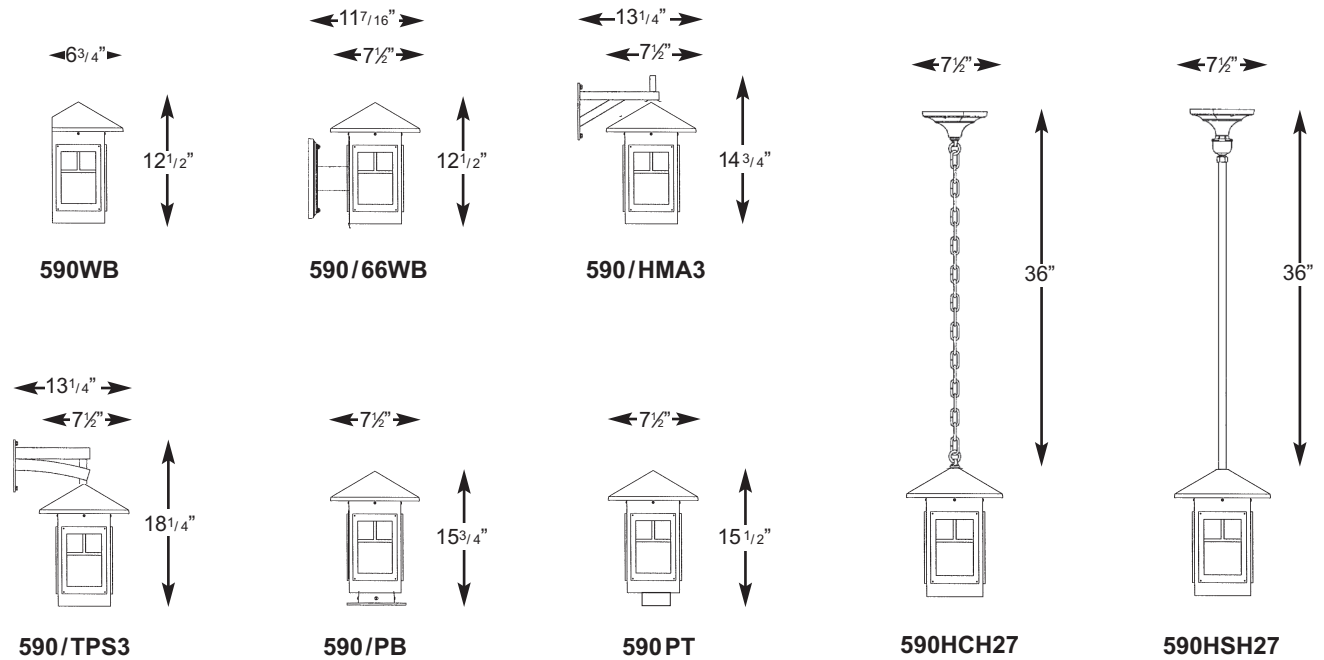
# 590 HOMESTEAD RESIDENTIAL SERIES SPECIFICATIONS

FIXTURE	SOCKET TYPE	OPTICAL SYSTEMS	BB BALLAST BOX	POST FITTER
 <p><b>590</b></p>	 <p><b>MED</b> Single Medium Base Socket</p>  <p><b>PL</b> Compact Fluorescent</p>	 <p><b>HSS</b> House Side Shield</p>	<p><b>879BB</b> - Medium Scale for up to 50 watt</p>  <p><b>27BB</b> - Hanging or Pier for up to 50 watt ballasts</p> 	 <p><b>R3"</b> <b>S4"</b> <b>R4"</b></p> <p>SIZES</p>

## LENSES



## POST MOUNT, WALL BRACKETS & PIER MOUNT



NOTE: 50 watt MH electronic ballast only.

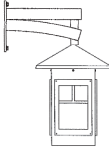
# BUILDING A PART NUMBER

## POST & ARM FIXTURES



ARM MOUNTED FIXTURE NO. OF ARMS	CENTER POST TOP FIXTURE (PT) FIXT./FITTER	POST	POST CAP	LIGHT SOURCE BALLAST WATTS / TYPE / VOLTS	OPTICS	OPTIONS	LENS	FINISH
590	S4	4SQX		50MHP120			WA	BKT

## WALL FIXTURE



FIXTURE / WALL BRACKET	LIGHT SOURCE BALLAST WATTS / TYPE / VOLTS	OPTICS	OPTIONS	LENS	FINISH
590/TPS3	50MHP120		MHP50/MED	WA	BKT

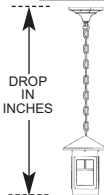


**PIER FIXTURES**  
Uses same information boxes as wall fixture

590/P28B

FIXTURE / PIER BASE

## HANGING FIXTURES



FIXTURE / HANGING BRACKET	OVERALL DROP IN INCHES	LIGHT SOURCE BALLAST WATTS / TYPE / VOLTS	OPTICS	OPTIONS	LENS	FINISH
590H/CH27	36 INCHES	50MHP120	FMC	MHP50/MED	CA	BKT

## PART NUMBER SELECTIONS

<b>FIXTURES</b> <ul style="list-style-type: none"> <li>• 590</li> </ul>	<b>LENSES</b> <ul style="list-style-type: none"> <li>• CA</li> <li>• CSA</li> <li>• CTA</li> <li>• PA</li> <li>• WA</li> <li>• AGB</li> </ul>	<b>WALL BRACKET ARMS</b> <ul style="list-style-type: none"> <li>• 66WB</li> <li>• HMA3WB</li> <li>• TPS3WB</li> </ul>	<b>LAMPS<sup>4</sup></b> <ul style="list-style-type: none"> <li>• HPS35/MED</li> <li>• HPS50/MED</li> <li>• MHP50/MED</li> <li>• PLT26</li> <li>• PLT32</li> <li>• PLT42</li> <li>• PLT57</li> </ul>	<b>BALLASTS<sup>3,4</sup></b> <ul style="list-style-type: none"> <li>• 35HPS<sup>1</sup></li> <li>• 50HPS</li> <li>• 50MHP</li> <li>• 26PLT</li> <li>• 32PLT</li> <li>• 42PLT</li> <li>• 57PLT</li> <li>• INCAND (60 watt max.)</li> </ul>	<b>BB - BALLAST BOX</b> <ul style="list-style-type: none"> <li>• 879BB - Medium Scale for up to 50 watt ballasts</li> <li>• 27BB - Hanging or Pier for up to 50 watt ballasts</li> </ul>	<b>STANDARD FINISHES*</b> <ul style="list-style-type: none"> <li>• BKT Black Textured</li> <li>• WHT White Textured</li> <li>• PGT Park Green Textured</li> <li>• ABZT Architectural Medium Bronze Textured</li> <li>• DBT Dark Bronze Textured</li> </ul>
<b>FITTERS</b> <ul style="list-style-type: none"> <li>• R3</li> <li>• S4</li> <li>• R4</li> </ul>	<b>POST ARMS</b> <ul style="list-style-type: none"> <li>• 66PM</li> <li>• HMA3PM</li> <li>• TPS3PM</li> </ul>	<b>HANGING BRACKETS</b> <ul style="list-style-type: none"> <li>• CH27</li> <li>• SH27</li> </ul>	<b>PIER BASE</b> <ul style="list-style-type: none"> <li>• P28B</li> </ul>	<b>CUSTOM FINISHES</b> <ul style="list-style-type: none"> <li>• OI Old Iron</li> <li>• RT Rust</li> <li>• WBR Weathered Brown</li> <li>• CD Cedar</li> <li>• WBK Weathered Black</li> <li>• TT Two Tone</li> </ul>		

\*Smooth Finishes are available upon request

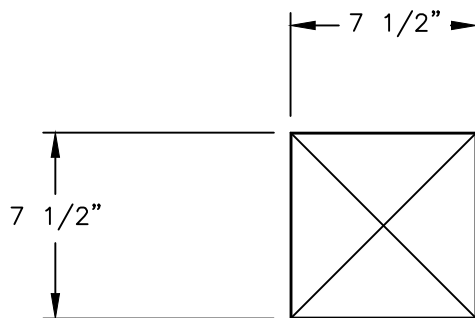
### OPTIONS

- PEC1-E Photocell-Electronic 120-277 Volt
- FHS Single Fuse and Holder-120,277 Volt
- LAMPS Select from List

### NOTES:

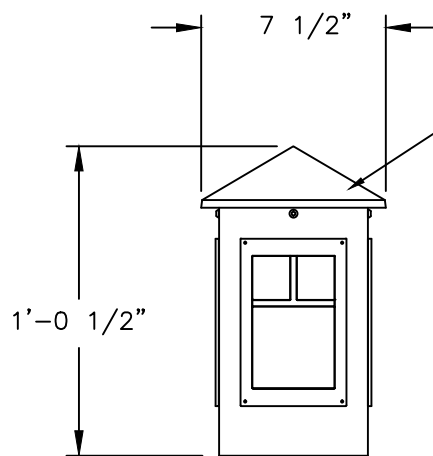
- <sup>1</sup>35HPS is 120 volt only.
- <sup>2</sup>MED base only when used to house lamp.
- <sup>3</sup>Medium base sockets standard with ballasts up to 50 watts for HID. 4-pin for PL.
- <sup>4</sup>Metal halide systems are pulse start.

# 590 PRAIRIE RESIDENTIAL SERIES



ALL ELECTRICAL COMPONENTS ARE U.L. OR E.T.L. LISTED IN USA AND CANADA.

FIXTURE WILL BE PREWIRED AND TESTED.



CAST ALUMINUM ROOF

(3) SIDED LENS AVAILABLE IN CLEAR SEEDED ACRYLIC, CLEAR TEXTURED ACRYLIC, CLEAR ACRYLIC, WHITE ACRYLIC OR BEVELED GLASS

DECORATIVE FROSTED CHIMNEY WITH MEDIUM BASE SOCKET OR DECORATIVE FROSTED CHIMNEY WITH FLUORESCENT SOCKET OR 3-LIGHT CLUSTER

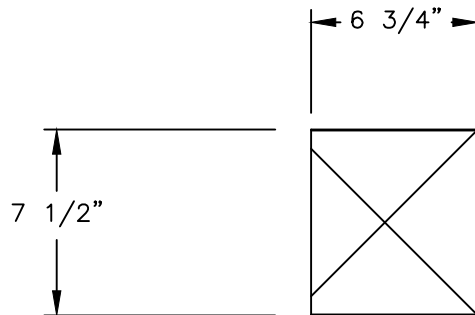


590

3/16"=1'

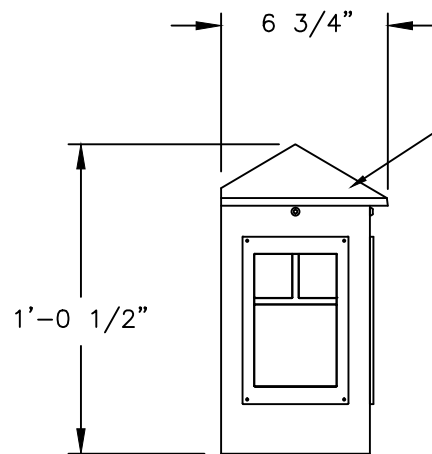
DRAWN LMG  
 DRAWN DATE JAN 25 2012  
 DRAWING NUMBER

# 590WB PRAIRIE RESIDENTIAL SERIES



ALL ELECTRICAL COMPONENTS ARE U.L. OR E.T.L. LISTED IN USA AND CANADA.

FIXTURE WILL BE PREWIRED AND TESTED.



CAST ALUMINUM ROOF

(3) SIDED LENS AVAILABLE IN CLEAR SEEDED ACRYLIC, CLEAR TEXTURED ACRYLIC, CLEAR ACRYLIC, WHITE ACRYLIC OR BEVELED GLASS

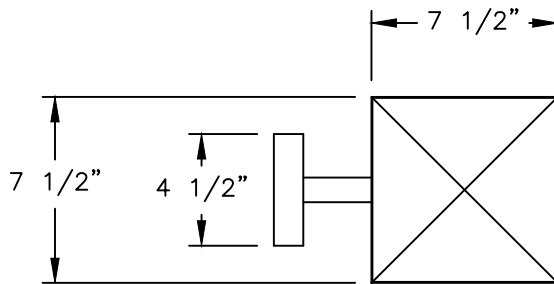
DECORATIVE FROSTED CHIMNEY WITH MEDIUM BASE SOCKET OR DECORATIVE FROSTED CHIMNEY WITH FLUORESCENT SOCKET OR 3-LIGHT CLUSTER



590WB

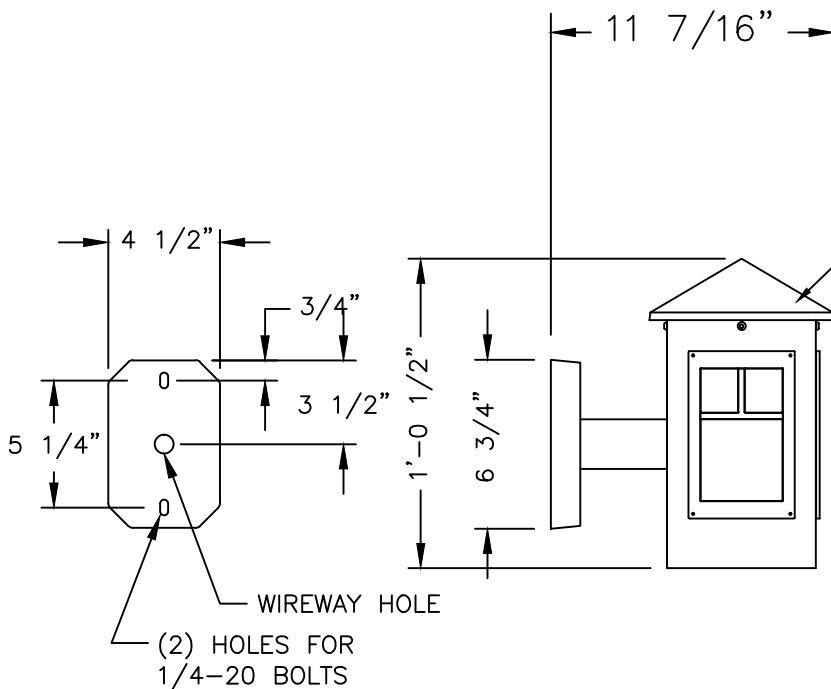
3/16"=1'	DRAWN LMG
	DRAWN DATE DEC 6 2011
DRAWING NUMBER	

# 590/66WB PRAIRIE RESIDENTIAL SERIES



ALL ELECTRICAL COMPONENTS ARE U.L. OR E.T.L. LISTED IN USA AND CANADA.

FIXTURE WILL BE PREWIRED AND TESTED.



CAST ALUMINUM ROOF

(3) SIDED LENS AVAILABLE IN CLEAR SEEDED ACRYLIC, CLEAR TEXTURED ACRYLIC, CLEAR ACRYLIC, WHITE ACRYLIC OR BEVELED GLASS

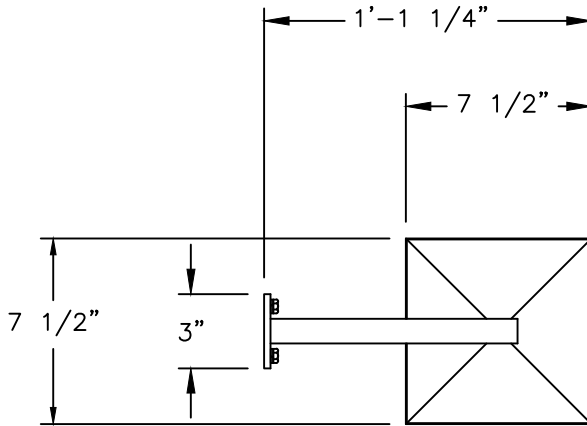
DECORATIVE FROSTED CHIMNEY WITH MEDIUM BASE SOCKET OR DECORATIVE FROSTED CHIMNEY WITH FLUORESCENT SOCKET OR 3-LIGHT CLUSTER



590/66WB

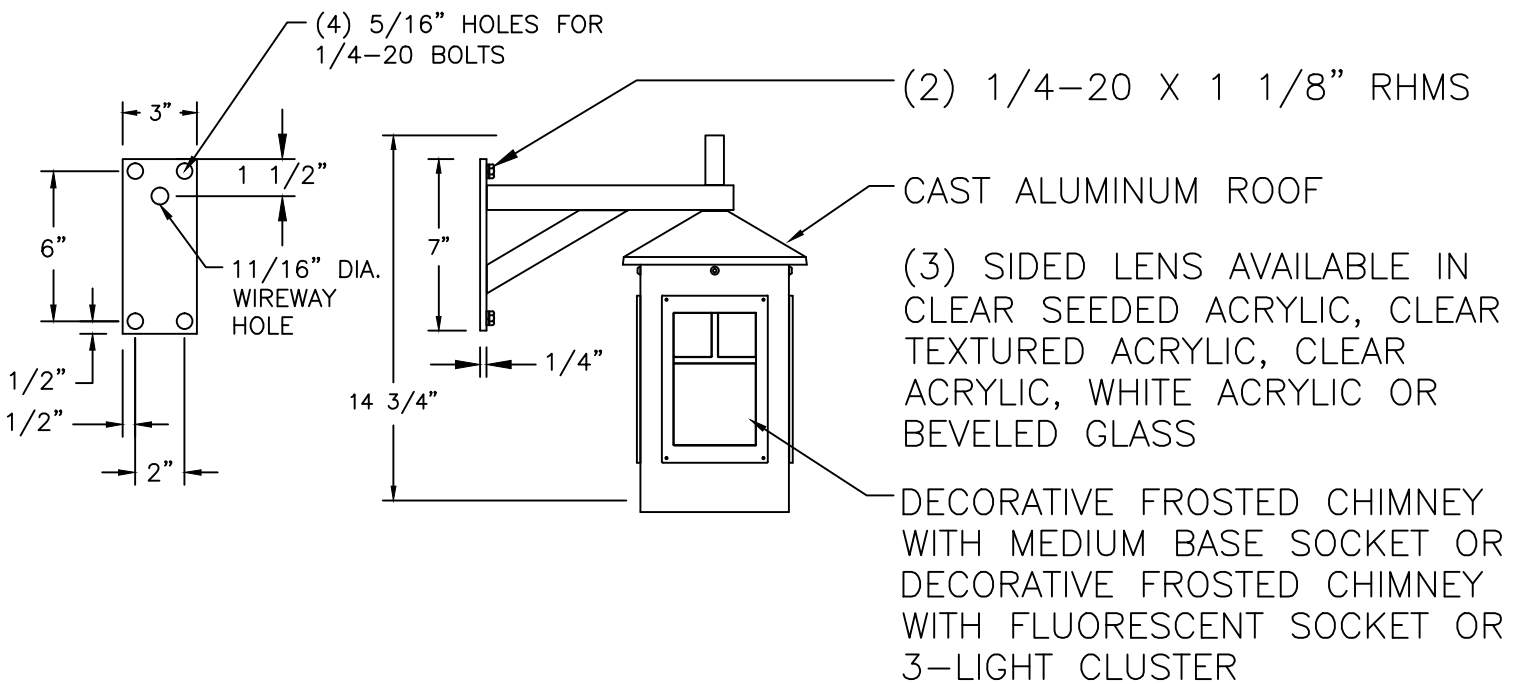
3/16"=1'	DRAWN	LMG
	DRAWN DATE	DEC 6 2011
		DRAWING NUMBER

# 590/HMA3 PRAIRIE RESIDENTIAL SERIES



ALL ELECTRICAL COMPONENTS ARE U.L. OR E.T.L. LISTED IN USA AND CANADA.

FIXTURE WILL BE PREWIRED AND TESTED.



**STERNBERG**  
SINCE 1923

590/HMA3

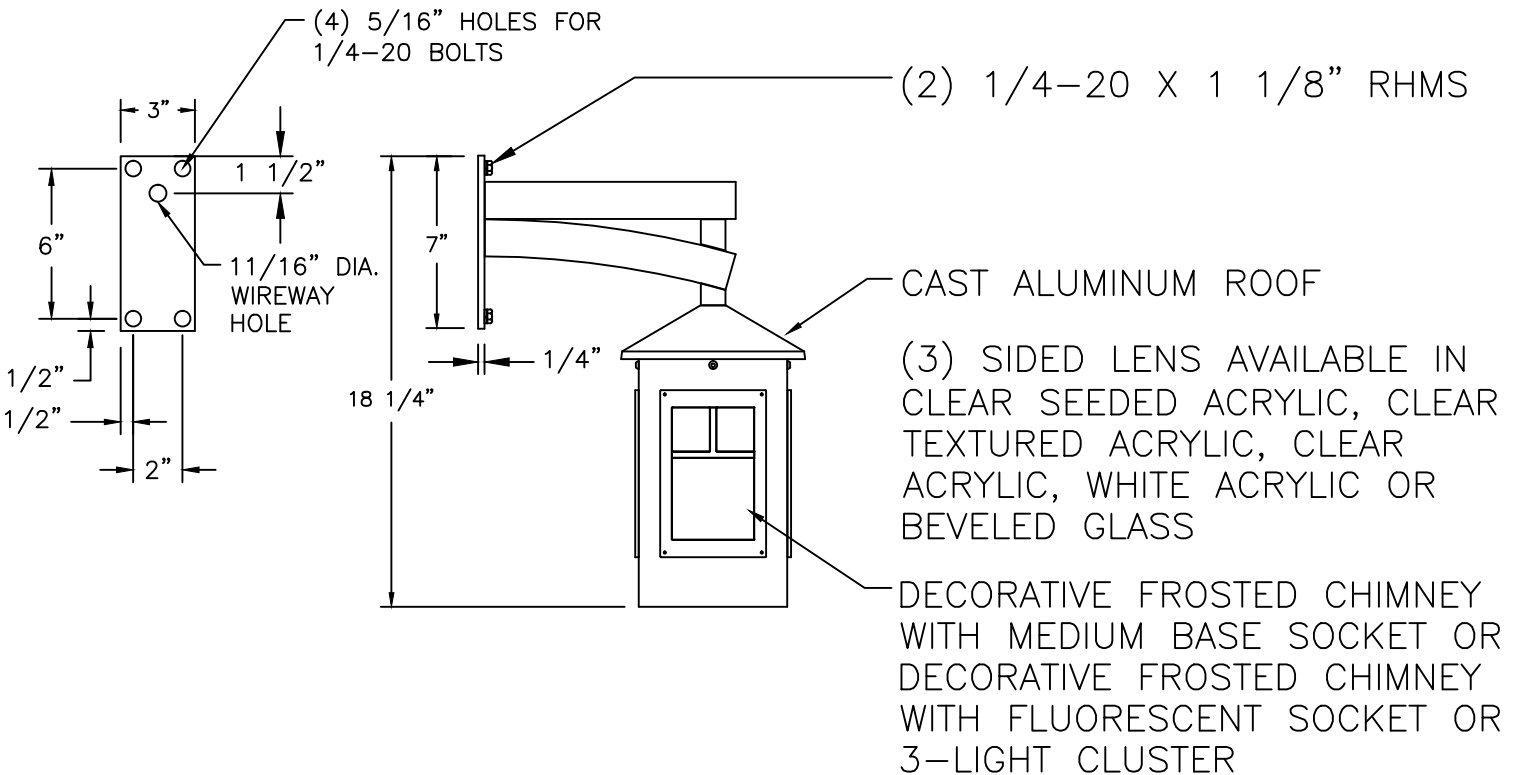
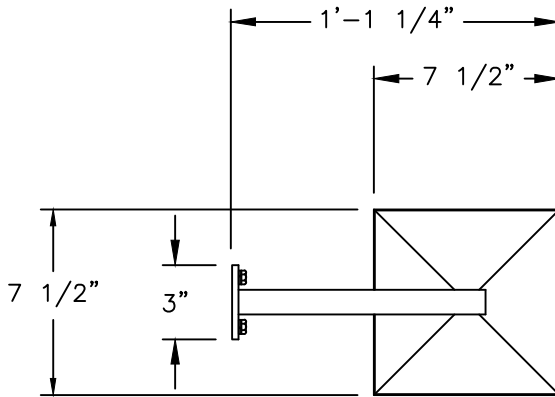
3/16"=1'

DRAWN LMG  
DRAWN DATE NOV 30 2011  
DRAWING NUMBER

# 590/TPS3 PRAIRIE RESIDENTIAL SERIES

ALL ELECTRICAL COMPONENTS ARE U.L. OR E.T.L. LISTED IN USA AND CANADA.

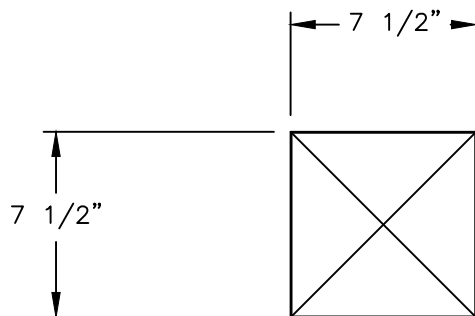
FIXTURE WILL BE PREWIRED AND TESTED.



590/TPS3

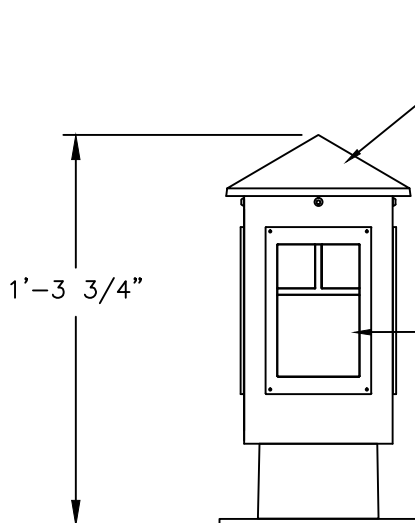
3/16"=1'	DRAWN LMG
	DRAWN DATE NOV 14 2011
DRAWING NUMBER	

# 590/PB PRAIRIE RESIDENTIAL SERIES



ALL ELECTRICAL COMPONENTS ARE U.L. OR E.T.L. LISTED IN USA AND CANADA.

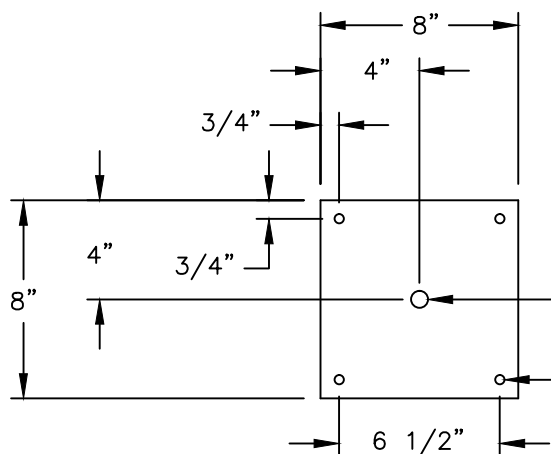
FIXTURE WILL BE PREWIRED AND TESTED.



CAST ALUMINUM ROOF

(3) SIDED LENS AVAILABLE IN CLEAR SEEDED ACRYLIC, CLEAR TEXTURED ACRYLIC, CLEAR ACRYLIC, WHITE ACRYLIC OR BEVELED GLASS

DECORATIVE FROSTED CHIMNEY WITH MEDIUM BASE SOCKET OR DECORATIVE FROSTED CHIMNEY WITH FLUORESCENT SOCKET OR 3-LIGHT CLUSTER



11/16" WIRE WAY HOLE

(4) 3/8" DIA. MOUNTING HOLES

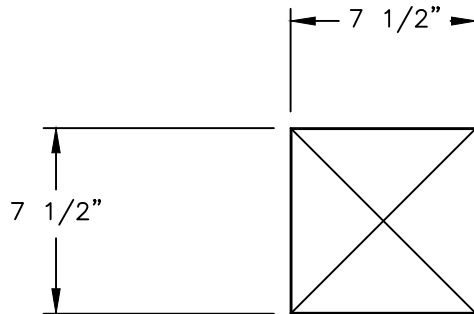


590/PB

3/16"=1'	DRAWN	LMG
	DRAWN DATE	DEC 8 2011
		DRAWING NUMBER

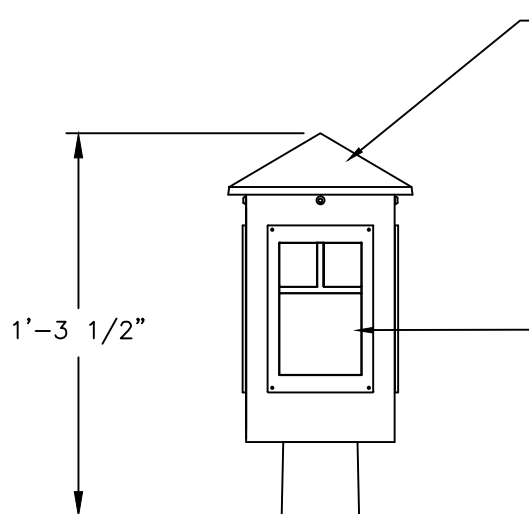


# 590PT PRAIRIE RESIDENTIAL SERIES



ALL ELECTRICAL COMPONENTS ARE U.L. OR E.T.L. LISTED IN USA AND CANADA.

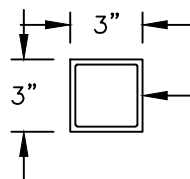
FIXTURE WILL BE PREWIRED AND TESTED.



CAST ALUMINUM ROOF

(3) SIDED LENS AVAILABLE IN CLEAR SEEDED ACRYLIC, CLEAR TEXTURED ACRYLIC, CLEAR ACRYLIC, WHITE ACRYLIC OR BEVELED GLASS

DECORATIVE FROSTED CHIMNEY WITH MEDIUM BASE SOCKET OR DECORATIVE FROSTED CHIMNEY WITH FLUORESCENT SOCKET OR 3-LIGHT CLUSTER



TO SLIP FIT 4" SQUARE TENON

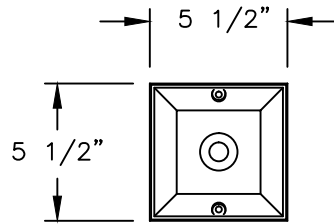


590PT

3/16"=1'

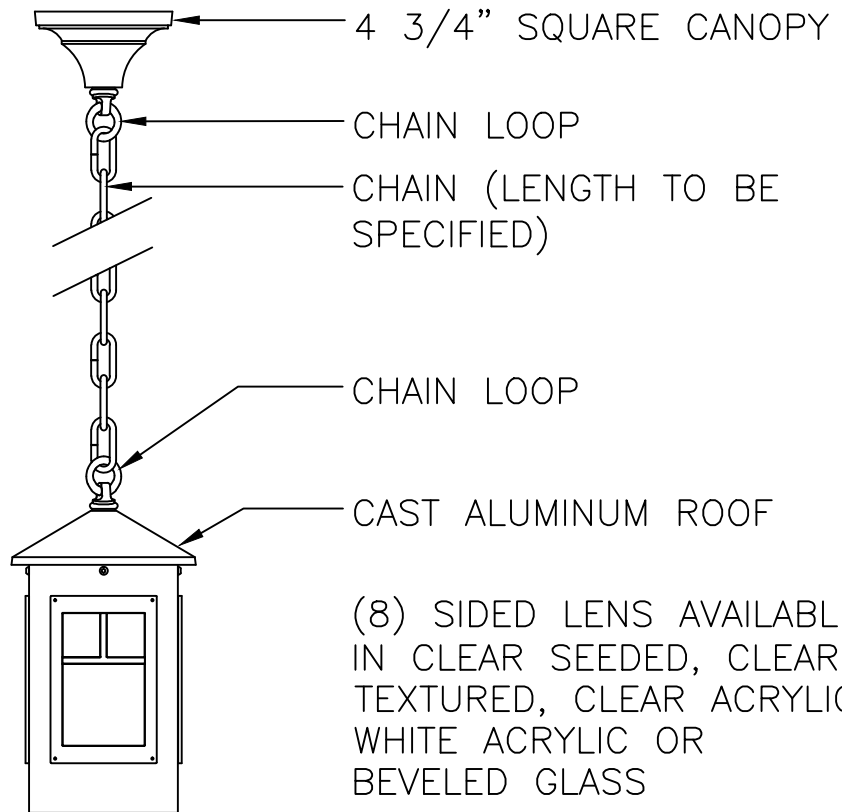
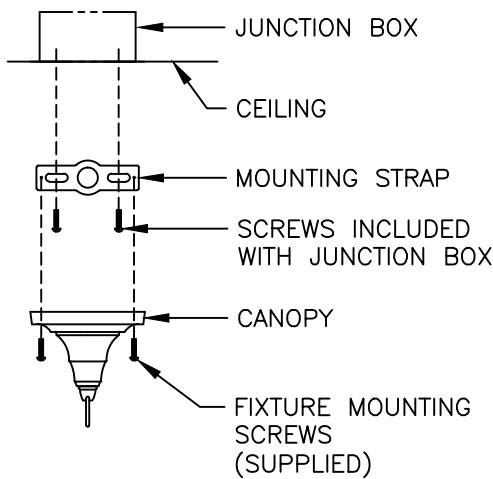
DRAWN LMG  
 DRAWN DATE DEC 8 2011  
 DRAWING NUMBER

# 590HCH27 PRAIRIE RESIDENTIAL SERIES

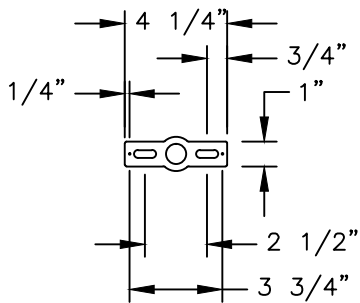


ALL ELECTRICAL COMPONENTS ARE U.L. OR E.T.L. LISTED IN USA AND CANADA.

FIXTURE WILL BE PREWIRED AND TESTED.



(8) SIDED LENS AVAILABLE IN CLEAR SEEDED, CLEAR TEXTURED, CLEAR ACRYLIC, WHITE ACRYLIC OR BEVELED GLASS



MOUNTING STRAP

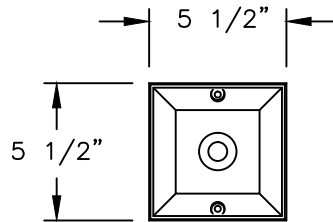
DECORATIVE FROSTED CHIMNEY WITH MEDIUM BASE SOCKET OR DECORATIVE FROSTED CHIMNEY WITH FLUORESCENT SOCKET OR 3-LIGHT CLUSTER

**STERNBERG**  
SINCE 1923

590HCH27

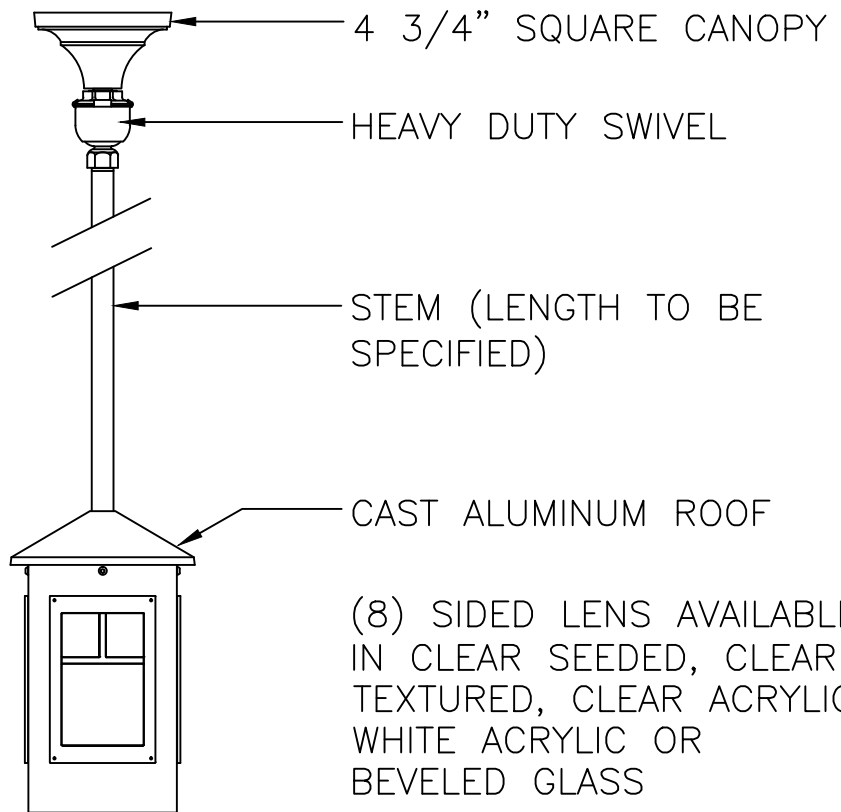
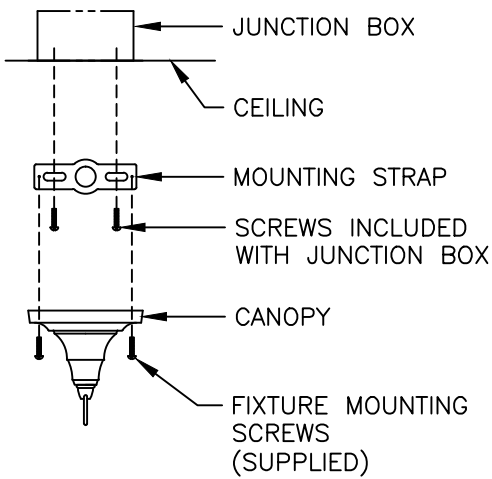
DRAWN LMG  
DRAWN DATE NOV 29 2011  
3/16"=1'  
DRAWING NUMBER

# 590HSH27 PRAIRIE RESIDENTIAL SERIES



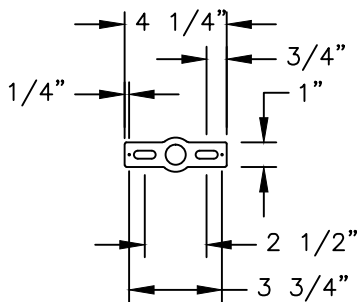
ALL ELECTRICAL COMPONENTS ARE U.L. OR E.T.L. LISTED IN USA AND CANADA.

FIXTURE WILL BE PREWIRED AND TESTED.



(8) SIDED LENS AVAILABLE IN CLEAR SEEDED, CLEAR TEXTURED, CLEAR ACRYLIC, WHITE ACRYLIC OR BEVELED GLASS

DECORATIVE FROSTED CHIMNEY WITH MEDIUM BASE SOCKET OR DECORATIVE FROSTED CHIMNEY WITH FLUORESCENT SOCKET OR 3-LIGHT CLUSTER



MOUNTING STRAP



590HSH27

3/16"=1'	DRAWN	LMG
	DRAWN DATE	NOV 29 2011
		DRAWING NUMBER