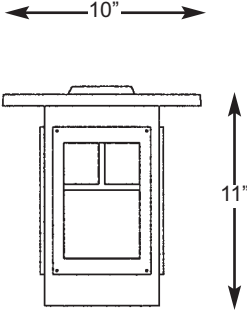


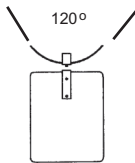







570 MISSION RESIDENTIAL SERIES

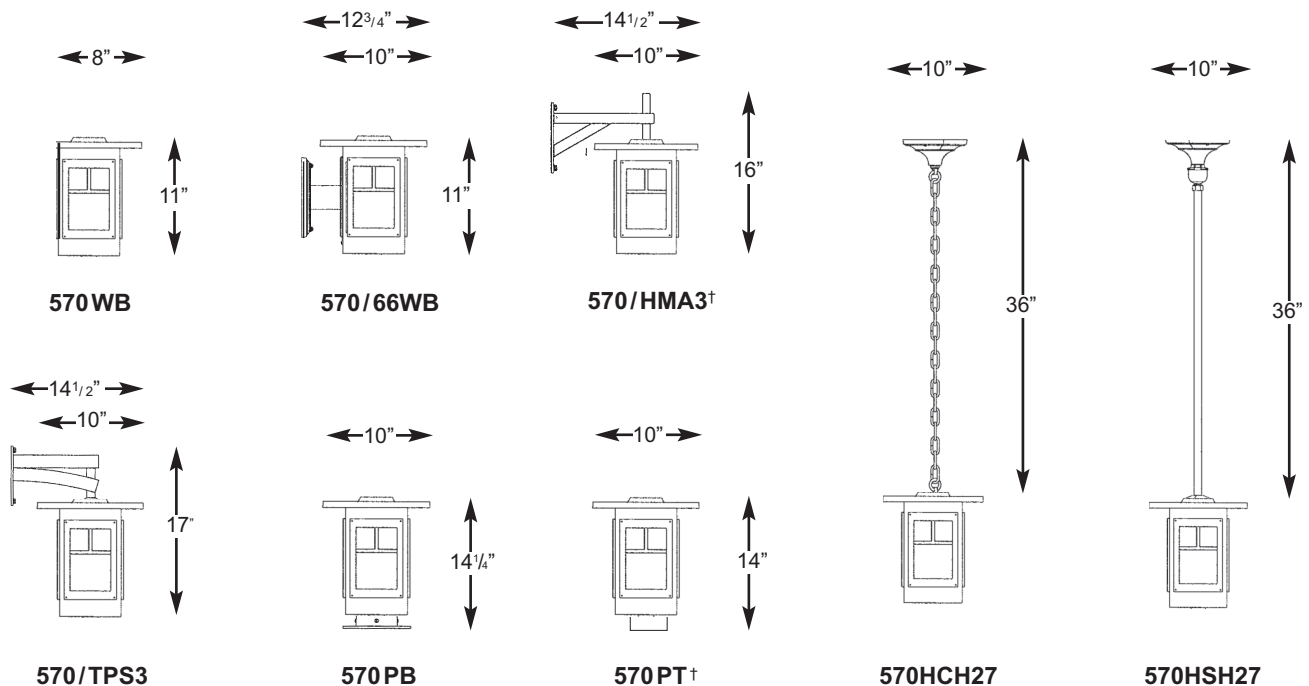
SPECIFICATIONS

FIXTURE	SOCKET TYPE	OPTICAL SYSTEMS	BB BALLAST BOX	POST FITTER	
 <p>570</p>	 MED Single Medium Base Socket	 PL Compact Fluorescent	 HSS House Side Shield	879BB - Medium Scale for up to 50 watt  27BB - Hanging or Pier for up to 50 watt ballasts 	 R3"  S4"  R4" SIZES

LENSES




POST MOUNT, WALL BRACKETS & PIER MOUNT



NOTE: 50 watt MH electronic ballast only

BUILDING A PART NUMBER

POST & ARM FIXTURES

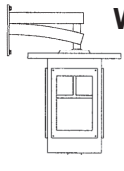


ARM MOUNTED FIXTURE POST TOP FIXTURE (PT) POST POST CAP LIGHT SOURCE BALLAST OPTICS OPTIONS LENS FINISH

NO. OF ARMS FIXTURE / POSTARM FIXT./FITTER (See Post Section) WATTS / TYPE / VOLTS

570/S4 / 4SQX / 50MHP120 / WA / BKT

WALL FIXTURE

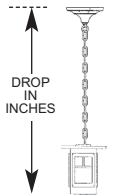


FIXTURE / WALL BRACKET LIGHT SOURCE BALLAST OPTICS OPTIONS LENS FINISH

570/TPS3 / 50MHP120 / MHP50/MED / WA / BKT

PIER FIXTURES
Uses same information boxes as wall fixture
570/P28B
FIXTURE / PIER BASE

HANGING FIXTURES



FIXTURE / HANGING BRACKET OVERALL DROP IN INCHES LIGHT SOURCE BALLAST OPTICS OPTIONS LENS FINISH

570H/CH27 / 36 INCHES / 50MHP120 / FMC / MHP50/MED / CA / BKT

PART NUMBER SELECTIONS

- | | | | | | | |
|--|--|--|---|---|---|---|
| FIXTURES
<ul style="list-style-type: none"> • 570 | LENSES
<ul style="list-style-type: none"> • CA • CSA • CTA • PA • WA • AGB | WALL BRACKET ARMS
<ul style="list-style-type: none"> • 66WB • HMA3WB • TPS3WB | LAMPS⁴
<ul style="list-style-type: none"> • HPS35/MED • HPS50/MED • MHP50/MED • PLT26 • PLT32 • PLT42 • PLT57 | BALLASTS^{3,4}
<ul style="list-style-type: none"> • 35HPS¹ • 50HPS • 50MHP • 26PLT • 32PLT • 42PLT • 57PLT • INCAND (60 watt max.) | BB - BALLAST BOX
<ul style="list-style-type: none"> • 879BB - Medium Scale for up to 50 watt ballasts • 27BB - Hanging or Pier for up to 50 watt ballasts | STANDARD FINISHES*
<ul style="list-style-type: none"> • BKT Black Textured • WHT White Textured • PGT Park Green Textured • ABZT Architectural Medium Bronze Textured • DBT Dark Bronze Textured |
| FITTERS
<ul style="list-style-type: none"> • R3 • S4 • R4 | POST ARMS
<ul style="list-style-type: none"> • 66PM • HMA3PM • TPS3PM | HANGING BRACKETS
<ul style="list-style-type: none"> • CH27 • SH27 | PIER BASE
<ul style="list-style-type: none"> • P28B | CUSTOM FINISHES
<ul style="list-style-type: none"> • OI Old Iron • RT Rust • WBR Weathered Brown • CD Cedar • WBK Weathered Black • TT Two Tone | STERNBURG SELECT FINISHES
<ul style="list-style-type: none"> • VG Verde Green • SI Swedish Iron • OWGT Old World Gray Textured | <p>*Smooth Finishes are available upon request</p> |

OPTIONS

- PEC1-E Photocell-Electronic 120-277 Volt
- FHS Single Fuse and Holder-120,277 Volt
- LAMPS Select from List

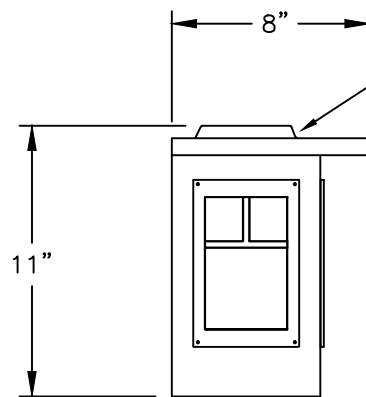
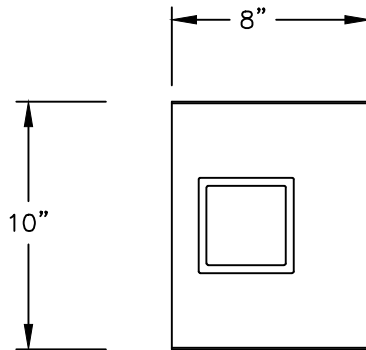
NOTES:

- ¹35HPS is 120 volt only.
- ²MED base only when used to house lamp.
- ³Medium base sockets standard with ballasts up to 50 watts for HID. 4-pin for PL.
- ⁴Metal halide systems are pulse start.

570WB MISSION RESIDENTIAL SERIES

ALL ELECTRICAL COMPONENTS ARE U.L. OR E.T.L. LISTED IN USA AND CANADA.

FIXTURE WILL BE PREWIRED AND TESTED.



CAST ALUMINUM ROOF

(3) SIDED LENS AVAILABLE IN CLEAR SEEDED ACRYLIC, CLEAR TEXTURED ACRYLIC, CLEAR ACRYLIC, WHITE ACRYLIC OR BEVELED GLASS

DECORATIVE FROSTED CHIMNEY WITH MEDIUM BASE SOCKET OR DECORATIVE FROSTED CHIMNEY WITH FLUORESCENT SOCKET OR 3-LIGHT CLUSTER

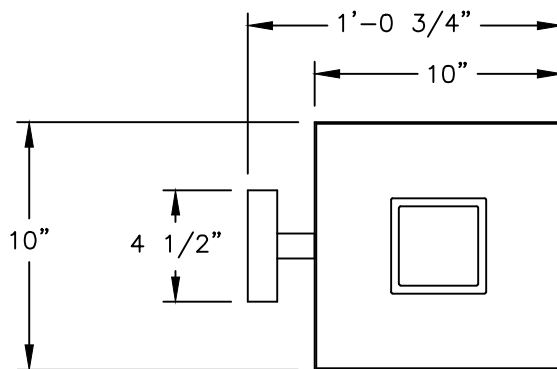


570WB

3/16"=1'

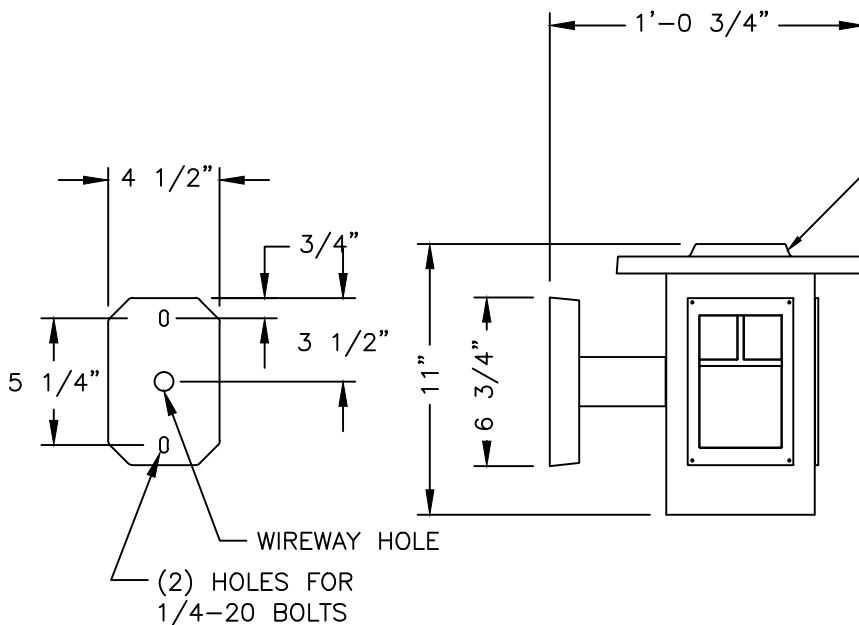
DRAWN LMG
 DRAWN DATE DEC 6 2011
 DRAWING NUMBER

570/66WB MISSION RESIDENTIAL SERIES



ALL ELECTRICAL COMPONENTS ARE U.L. OR E.T.L. LISTED IN USA AND CANADA.

FIXTURE WILL BE PREWIRED AND TESTED.



CAST ALUMINUM ROOF

(3) SIDED LENS AVAILABLE IN CLEAR SEEDED ACRYLIC, CLEAR TEXTURED ACRYLIC, CLEAR ACRYLIC, WHITE ACRYLIC OR BEVELED GLASS

DECORATIVE FROSTED CHIMNEY WITH MEDIUM BASE SOCKET OR DECORATIVE FROSTED CHIMNEY WITH FLUORESCENT SOCKET OR 3-LIGHT CLUSTER

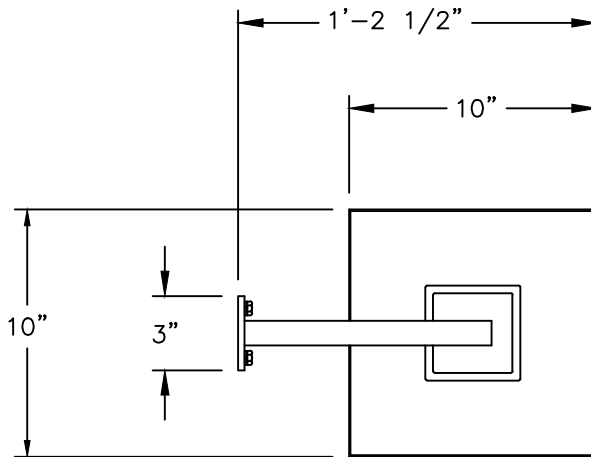


570/66WB

3/16"=1'

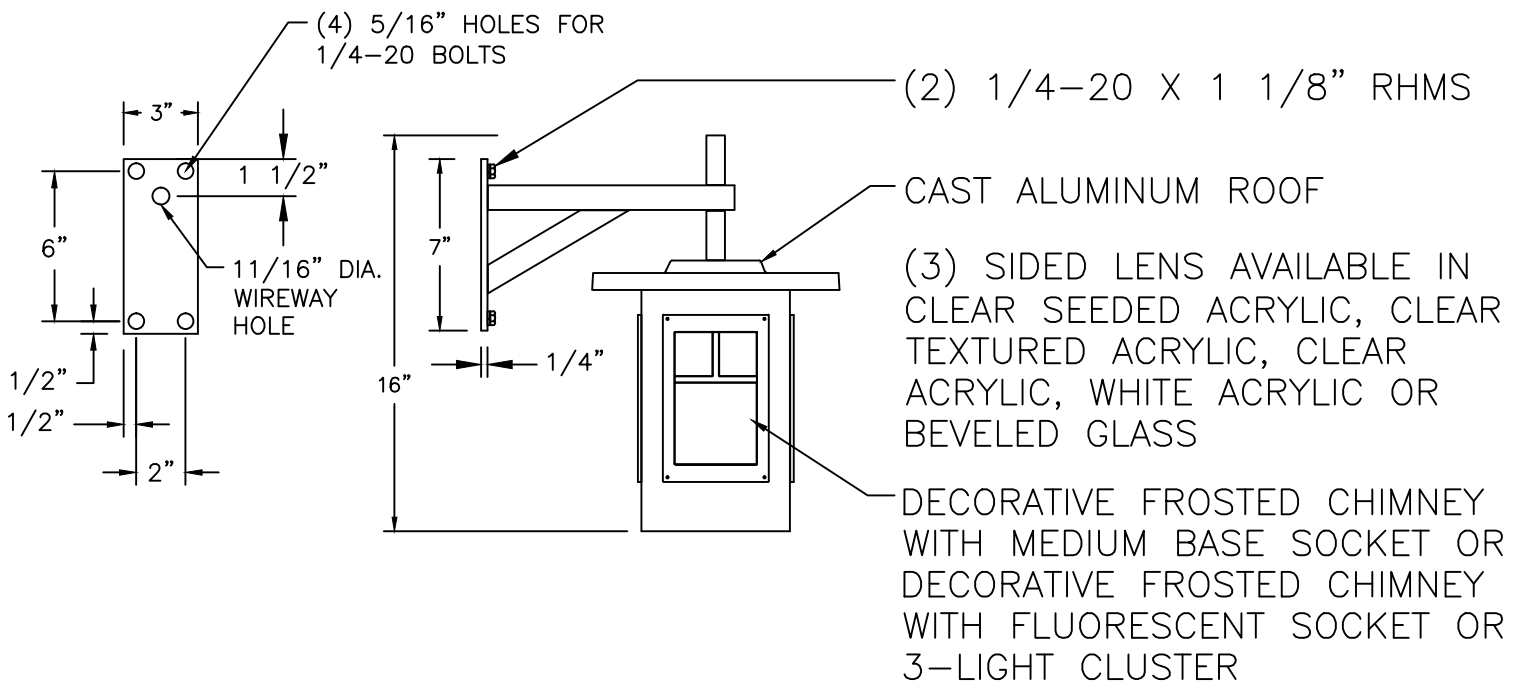
DRAWN LMG
 DRAWN DATE DEC 6 2011
 DRAWING NUMBER

570/HMA3 MISSION RESIDENTIAL SERIES



ALL ELECTRICAL COMPONENTS ARE U.L. OR E.T.L. LISTED IN USA AND CANADA.

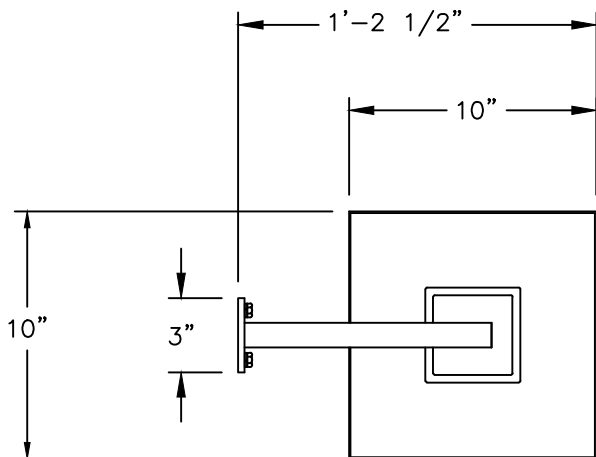
FIXTURE WILL BE PREWIRED AND TESTED.



570/HMA3

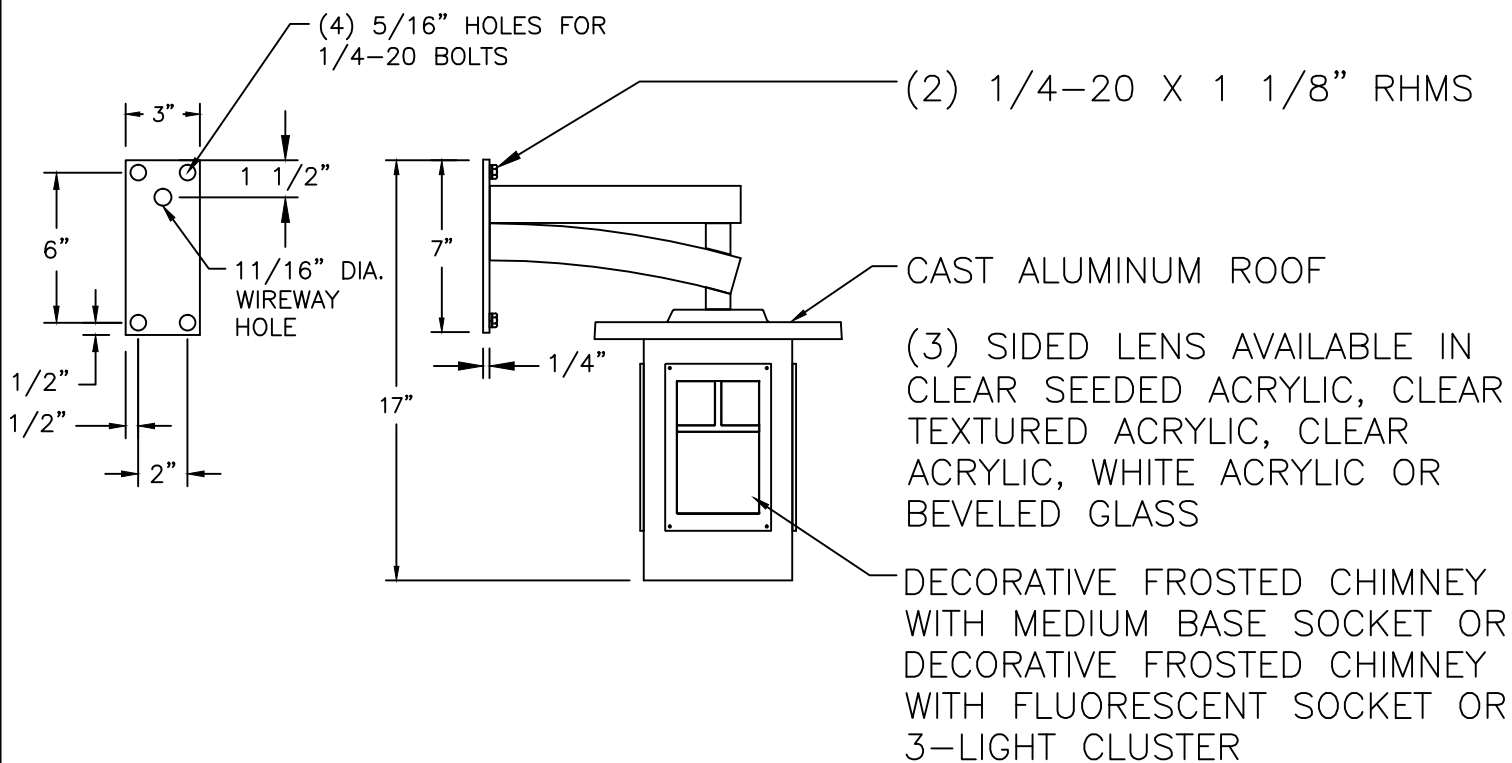
3/16"=1'	DRAWN	LMG
	DRAWN DATE	NOV 30 2011
		DRAWING NUMBER

570/TPS3 MISSION RESIDENTIAL SERIES



ALL ELECTRICAL COMPONENTS ARE U.L. OR E.T.L. LISTED IN USA AND CANADA.

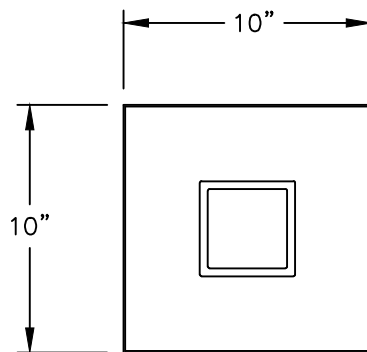
FIXTURE WILL BE PREWIRED AND TESTED.



570/TPS3

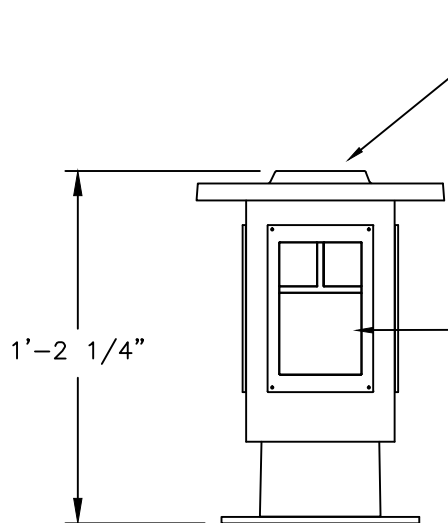
3/16"=1'	DRAWN	LMG
	DRAWN DATE	NOV 14 2011
		DRAWING NUMBER

570/PB MISSION RESIDENTIAL SERIES



ALL ELECTRICAL COMPONENTS ARE U.L. OR E.T.L. LISTED IN USA AND CANADA.

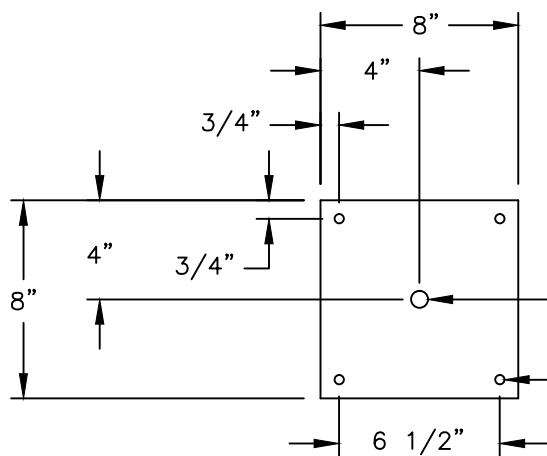
FIXTURE WILL BE PREWIRED AND TESTED.



CAST ALUMINUM ROOF

(3) SIDED LENS AVAILABLE IN CLEAR SEEDED ACRYLIC, CLEAR TEXTURED ACRYLIC, CLEAR ACRYLIC, WHITE ACRYLIC OR BEVELED GLASS

DECORATIVE FROSTED CHIMNEY WITH MEDIUM BASE SOCKET OR DECORATIVE FROSTED CHIMNEY WITH FLUORESCENT SOCKET OR 3-LIGHT CLUSTER



11/16" WIRE WAY HOLE

(4) 3/8" DIA. MOUNTING HOLES

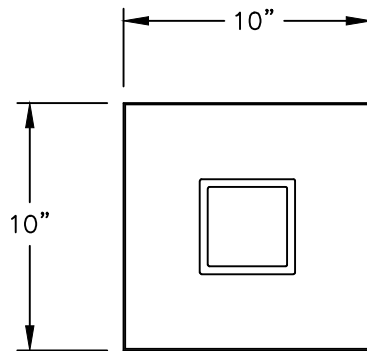


570/PB

3/16"=1'

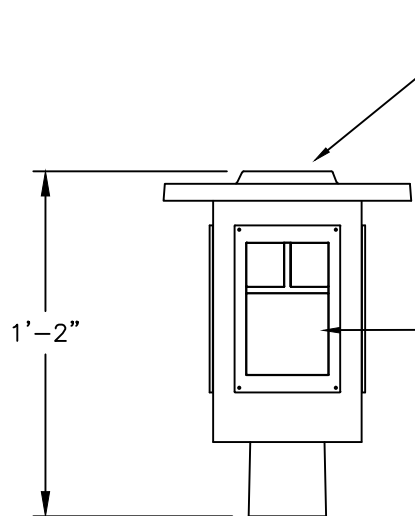
DRAWN LMG
 DRAWN DATE DEC 8 2011
 DRAWING NUMBER

570PT MISSION RESIDENTIAL SERIES



ALL ELECTRICAL COMPONENTS ARE U.L. OR E.T.L. LISTED IN USA AND CANADA.

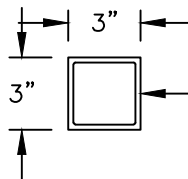
FIXTURE WILL BE PREWIRED AND TESTED.



CAST ALUMINUM ROOF

(3) SIDED LENS AVAILABLE IN CLEAR SEEDED ACRYLIC, CLEAR TEXTURED ACRYLIC, CLEAR ACRYLIC, WHITE ACRYLIC OR BEVELED GLASS

DECORATIVE FROSTED CHIMNEY WITH MEDIUM BASE SOCKET OR DECORATIVE FROSTED CHIMNEY WITH FLUORESCENT SOCKET OR 3-LIGHT CLUSTER



TO SLIP FIT 4" SQUARE TENON

STERNBERG
SINCE 1923

570PT

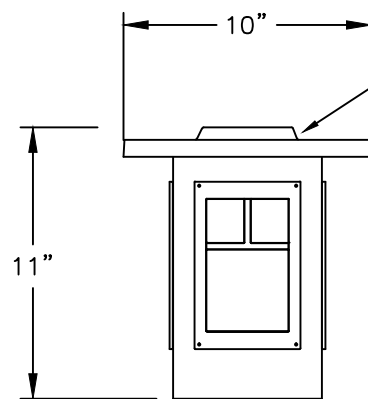
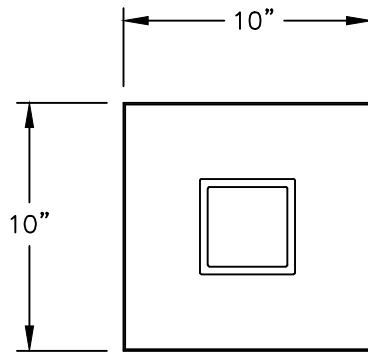
3/16"=1'

DRAWN LMG
DRAWN DATE DEC 8 2011
DRAWING NUMBER

570 MISSION RESIDENTIAL SERIES

ALL ELECTRICAL COMPONENTS ARE U.L. OR E.T.L. LISTED IN USA AND CANADA.

FIXTURE WILL BE PREWIRED AND TESTED.



CAST ALUMINUM ROOF

(3) SIDED LENS AVAILABLE IN CLEAR SEEDED ACRYLIC, CLEAR TEXTURED ACRYLIC, CLEAR ACRYLIC, WHITE ACRYLIC OR BEVELED GLASS

DECORATIVE FROSTED CHIMNEY WITH MEDIUM BASE SOCKET OR DECORATIVE FROSTED CHIMNEY WITH FLUORESCENT SOCKET OR 3-LIGHT CLUSTER

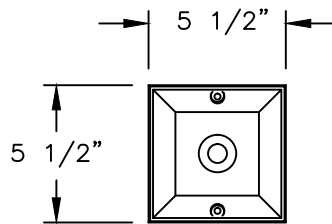


570

3/16"=1'

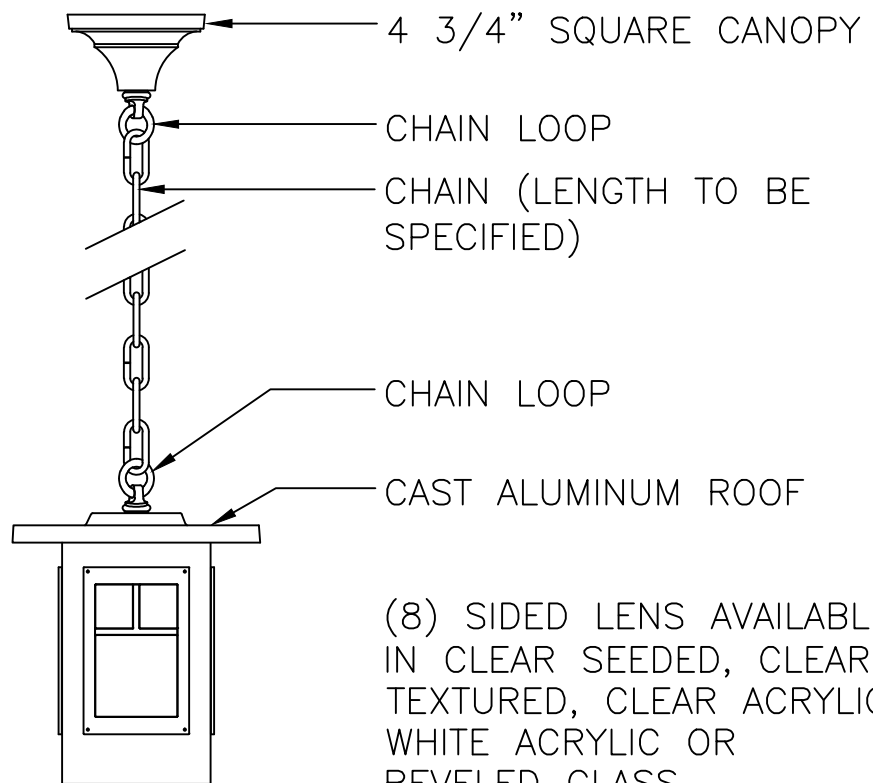
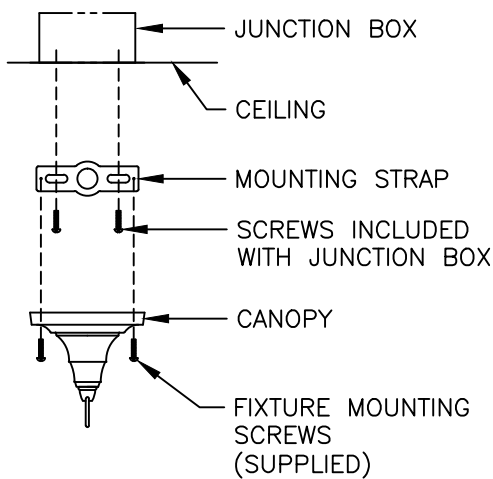
DRAWN LMG
 DRAWN DATE DEC 6 2011
 DRAWING NUMBER

570HCH27 MISSION RESIDENTIAL SERIES

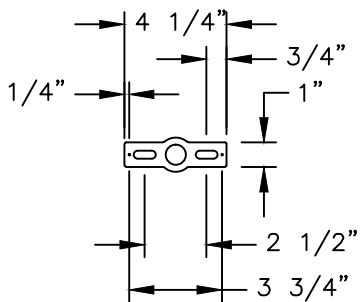


ALL ELECTRICAL COMPONENTS ARE U.L. OR E.T.L. LISTED IN USA AND CANADA.

FIXTURE WILL BE PREWIRED AND TESTED.



(8) SIDED LENS AVAILABLE IN CLEAR SEEDED, CLEAR TEXTURED, CLEAR ACRYLIC, WHITE ACRYLIC OR BEVELED GLASS



MOUNTING STRAP

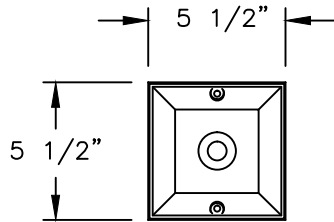
DECORATIVE FROSTED CHIMNEY WITH MEDIUM BASE SOCKET OR DECORATIVE FROSTED CHIMNEY WITH FLUORESCENT SOCKET OR 3-LIGHT CLUSTER



570HCH27

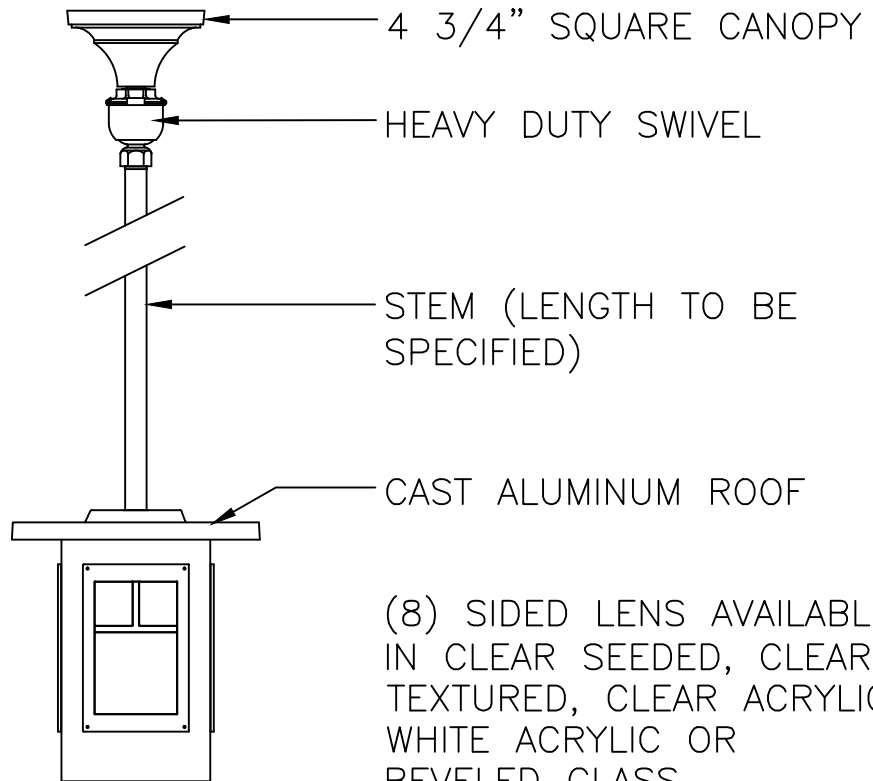
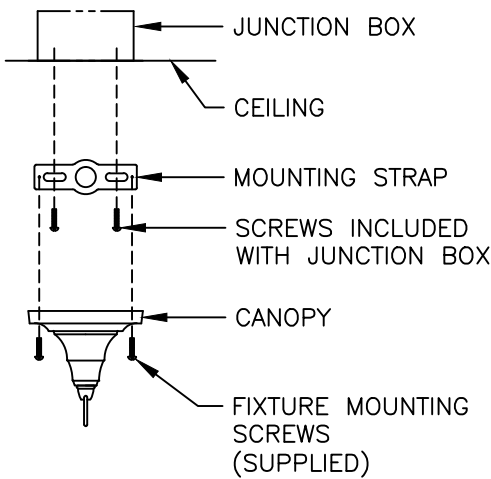
3/16"=1'	DRAWN	LMG
	DRAWN DATE	NOV 29 2011
		DRAWING NUMBER

570HSH27 MISSION RESIDENTIAL SERIES



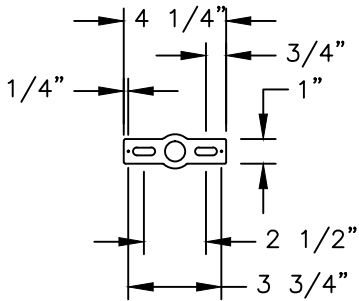
ALL ELECTRICAL COMPONENTS ARE U.L. OR E.T.L. LISTED IN USA AND CANADA.

FIXTURE WILL BE PREWIRED AND TESTED.



(8) SIDED LENS AVAILABLE IN CLEAR SEEDED, CLEAR TEXTURED, CLEAR ACRYLIC, WHITE ACRYLIC OR BEVELED GLASS

DECORATIVE FROSTED CHIMNEY WITH MEDIUM BASE SOCKET OR DECORATIVE FROSTED CHIMNEY WITH FLUORESCENT SOCKET OR 3-LIGHT CLUSTER



MOUNTING STRAP



570HSH27

3/16"=1'	DRAWN	LMG
	DRAWN DATE	NOV 29 2011
		DRAWING NUMBER