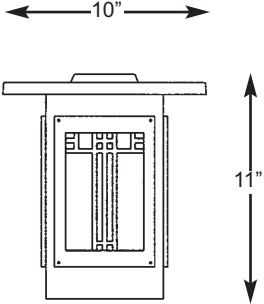


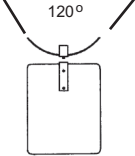
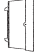




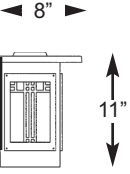
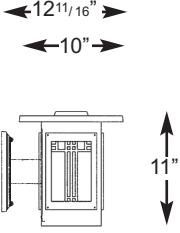
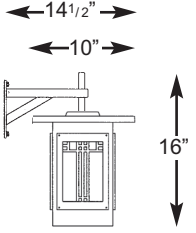
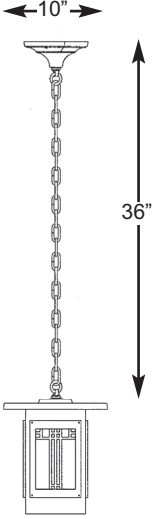
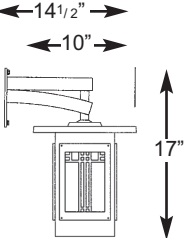
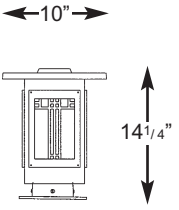
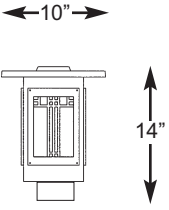
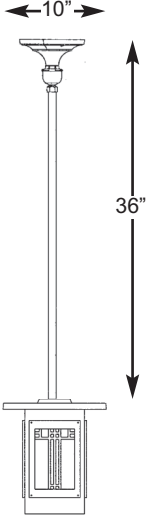
# 560 CRAFTSMAN RESIDENTIAL SERIES SPECIFICATIONS

FIXTURE	SOCKET TYPE	OPTICAL SYSTEMS	BB BALLAST BOX	POST FITTER
 <p><b>560</b></p>	 <p><b>MED</b> Single Medium Base Socket</p>  <p><b>PL</b> Compact Fluorescent</p>	 <p><b>HSS</b> House Side Shield</p>	<p><b>879BB</b> - Medium Scale for up to 50 watt</p>  <p><b>27BB</b> - Hanging or Pier for up to 50 watt ballasts</p> 	 <p><b>R3"</b> <b>S4"</b> <b>R4"</b></p> <p>SIZES</p>

## LENSES

	<b>CA</b> Clear Acrylic		<b>CSA</b> Clear Seeded Acrylic		<b>CTA</b> Clear Textured Acrylic		<b>PA</b> Prismatic Acrylic		<b>WA</b> White Acrylic		<b>AGB</b> Art Glass Brown Marble
--	-------------------------------	--	--	--	--	--	-----------------------------------	--	-------------------------------	--	--


## POST MOUNT, WALL BRACKETS & PIER MOUNT

 <p><b>560 WB</b></p>	 <p><b>560/66WB</b></p>	 <p><b>560/HMA3</b></p>	 <p><b>560HCH27</b></p>
 <p><b>560/TPS3</b></p>	 <p><b>560/PB</b></p>	 <p><b>560 PT+</b></p>	 <p><b>560HSH27</b></p>

NOTE: 50 watt MH electronic ballast only

# BUILDING A PART NUMBER

## POST & ARM FIXTURES

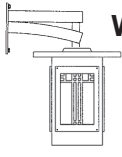


ARM MOUNTED FIXTURE POST TOP FIXTURE (PT) POST POST CAP LIGHT SOURCE BALLAST OPTICS OPTIONS LENS FINISH

NO. OF ARMS FIXTURE / POSTARM FIXT./FITTER (See Post Section) WATTS / TYPE / VOLTS

560 / S4 / 4SQX / 50MHP120 / WA / BKT

## WALL FIXTURE



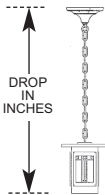
FIXTURE / WALL BRACKET LIGHT SOURCE BALLAST OPTICS OPTIONS LENS FINISH

560 / TPS3 / 50MHP120 / MHP50 / MED / WA / BKT

**PIER FIXTURES**  
Uses same information boxes as wall fixture

560 / P28B  
FIXTURE / PIER BASE

## HANGING FIXTURES



FIXTURE / HANGING BRACKET OVERALL DROP IN INCHES LIGHT SOURCE BALLAST OPTICS OPTIONS LENS FINISH

560H / CH27 / 36 INCHES / 50MHP120 / FMC / MHP50 / MED / CA / BKT

## PART NUMBER SELECTIONS

- |   |   |   |   |   |   |   |
|---|---|---|---|---|---|---|
| <p><b>FIXTURES</b></p> <ul style="list-style-type: none"> <li>• 560</li> </ul> <p><b>OPTICS</b></p> <ul style="list-style-type: none"> <li>• HSS</li> <li>• MED</li> <li>• PL</li> </ul> <p><b>FITTERS</b></p> <ul style="list-style-type: none"> <li>• R3</li> <li>• S4</li> <li>• R4</li> </ul> | <p><b>LENSES</b></p> <ul style="list-style-type: none"> <li>• CA</li> <li>• CSA</li> <li>• CTA</li> <li>• PA</li> <li>• WA</li> <li>• AGB</li> </ul> <p><b>POST ARMS</b></p> <ul style="list-style-type: none"> <li>• 66PM</li> <li>• HMA3PM</li> <li>• TPS3PM</li> </ul> | <p><b>WALL BRACKET ARMS</b></p> <ul style="list-style-type: none"> <li>• 66WB</li> <li>• HMA3WB</li> <li>• TPS3WB</li> </ul> <p><b>HANGING BRACKETS</b></p> <ul style="list-style-type: none"> <li>• CH27</li> <li>• SH27</li> </ul> <p><b>PIER BASE</b></p> <ul style="list-style-type: none"> <li>• P28B</li> </ul> | <p><b>BALLASTS<sup>3,4</sup></b></p> <ul style="list-style-type: none"> <li>• 35HPS<sup>1</sup></li> <li>• 50HPS</li> <li>• 50MHP</li> <li>• 26PLT</li> <li>• 32PLT</li> <li>• 42PLT</li> <li>• 57PLT</li> <li>• INCAND (60 watt max.)</li> </ul> | <p><b>BB - BALLAST BOX</b></p> <ul style="list-style-type: none"> <li>• 879BB - Medium Scale for up to 50 watt ballasts</li> <li>• 27BB - Hanging or Pier for up to 50 watt ballasts</li> </ul> | <p><b>LAMPS<sup>4</sup></b></p> <ul style="list-style-type: none"> <li>• HPS35/MED</li> <li>• HPS50/MED</li> <li>• MHP50/MED</li> <li>• PLT26</li> <li>• PLT32</li> <li>• PLT42</li> <li>• PLT57</li> </ul> | <p><b>STANDARD FINISHES*</b></p> <ul style="list-style-type: none"> <li>• BKT Black Textured</li> <li>• WHT White Textured</li> <li>• PGT Park Green Textured</li> <li>• ABZT Architectural Medium Bronze Textured</li> <li>• DBT Dark Bronze Textured</li> </ul> <p><small>*Smooth Finishes are available upon request</small></p> <p><b>CUSTOM FINISHES</b></p> <ul style="list-style-type: none"> <li>• OI Old Iron</li> <li>• RT Rust</li> <li>• WBR Weathered Brown</li> <li>• CD Cedar</li> <li>• WBK Weathered Black</li> <li>• TT Two Tone</li> </ul> |
|---|---|---|---|---|---|---|

### OPTIONS

- PEC1-E Photocell-Electronic 120-277 Volt
- FHS Single Fuse and Holder-120,277 Volt
- LAMPS Select from List

### NOTES:

- <sup>1</sup>35HPS is 120 volt only.      dard with ballasts up to 50 watts for HID. 4-pin for PL.
- <sup>2</sup>MED base only when used to house lamp.      <sup>4</sup>Metal halide systems are pulse start.
- <sup>3</sup>Medium base sockets stan-

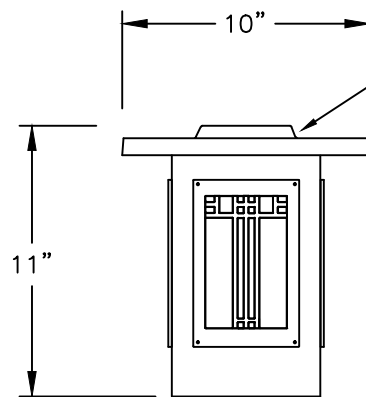
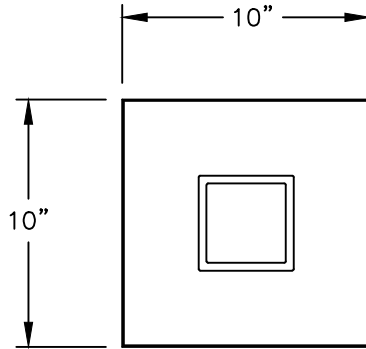
### STERNBERG SELECT FINISHES

- VG Verde Green
- SI Swedish Iron
- OWGT Old World Gray Textured

# 560 CRAFTSMAN RESIDENTIAL SERIES

ALL ELECTRICAL COMPONENTS ARE U.L. OR E.T.L. LISTED IN USA AND CANADA.

FIXTURE WILL BE PREWIRED AND TESTED.



CAST ALUMINUM ROOF

(3) SIDED LENS AVAILABLE IN CLEAR SEEDED ACRYLIC, CLEAR TEXTURED ACRYLIC, CLEAR ACRYLIC, WHITE ACRYLIC OR BEVELED GLASS

DECORATIVE FROSTED CHIMNEY WITH MEDIUM BASE SOCKET OR DECORATIVE FROSTED CHIMNEY WITH FLUORESCENT SOCKET OR 3-LIGHT CLUSTER

**STERNBERG**  
SINCE 1923

560

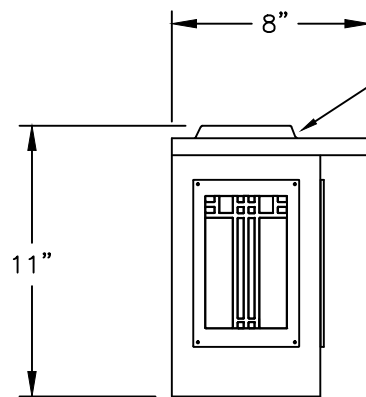
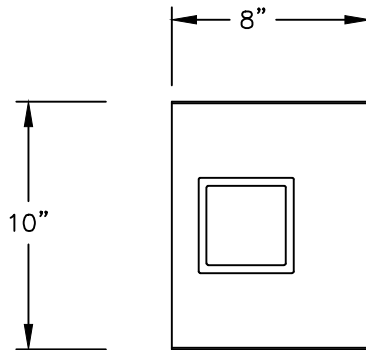
3/16"=1'

DRAWN LMG  
DRAWN DATE DEC 6 2011  
DRAWING NUMBER

# 560WB CRAFTSMAN RESIDENTIAL SERIES

ALL ELECTRICAL COMPONENTS ARE U.L. OR E.T.L. LISTED IN USA AND CANADA.

FIXTURE WILL BE PREWIRED AND TESTED.



CAST ALUMINUM ROOF

(3) SIDED LENS AVAILABLE IN CLEAR SEEDED ACRYLIC, CLEAR TEXTURED ACRYLIC, CLEAR ACRYLIC, WHITE ACRYLIC OR BEVELED GLASS

DECORATIVE FROSTED CHIMNEY WITH MEDIUM BASE SOCKET OR DECORATIVE FROSTED CHIMNEY WITH FLUORESCENT SOCKET OR 3-LIGHT CLUSTER



560WB

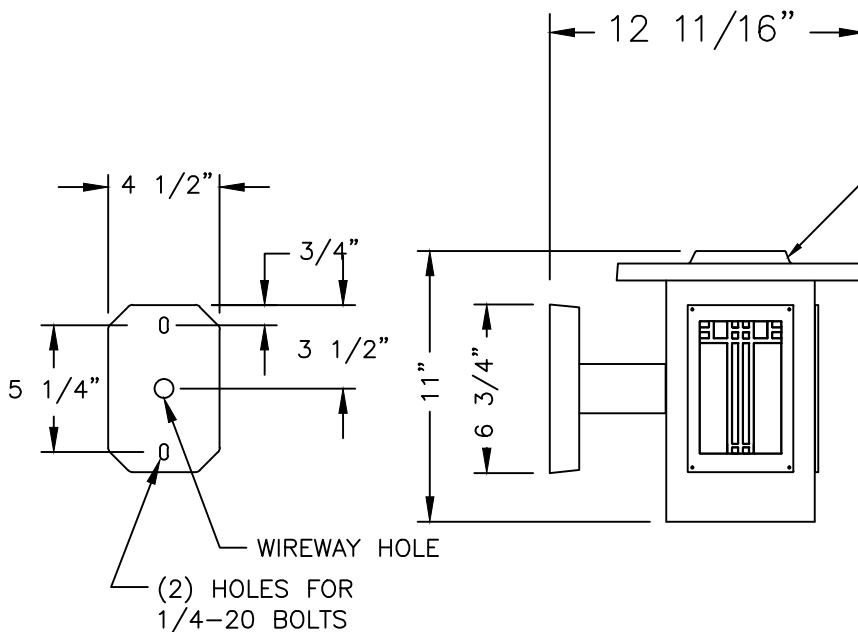
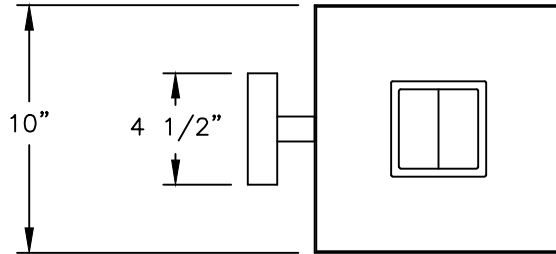
3/16"=1'

DRAWN LMG  
 DRAWN DATE DEC 6 2011  
 DRAWING NUMBER

# 560/66WB CRAFTSMAN RESIDENTIAL SERIES

ALL ELECTRICAL COMPONENTS ARE U.L. OR E.T.L. LISTED IN USA AND CANADA.

FIXTURE WILL BE PREWIRED AND TESTED.



CAST ALUMINUM ROOF

(3) SIDED LENS AVAILABLE IN CLEAR SEEDED ACRYLIC, CLEAR TEXTURED ACRYLIC, CLEAR ACRYLIC, WHITE ACRYLIC OR BEVELED GLASS

DECORATIVE FROSTED CHIMNEY WITH MEDIUM BASE SOCKET OR DECORATIVE FROSTED CHIMNEY WITH FLUORESCENT SOCKET OR 3-LIGHT CLUSTER

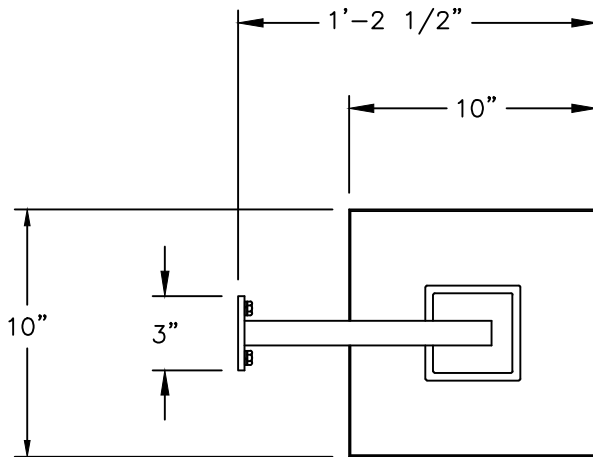
**STERNBERG**  
SINCE 1923

560/66WB

3/16"=1'

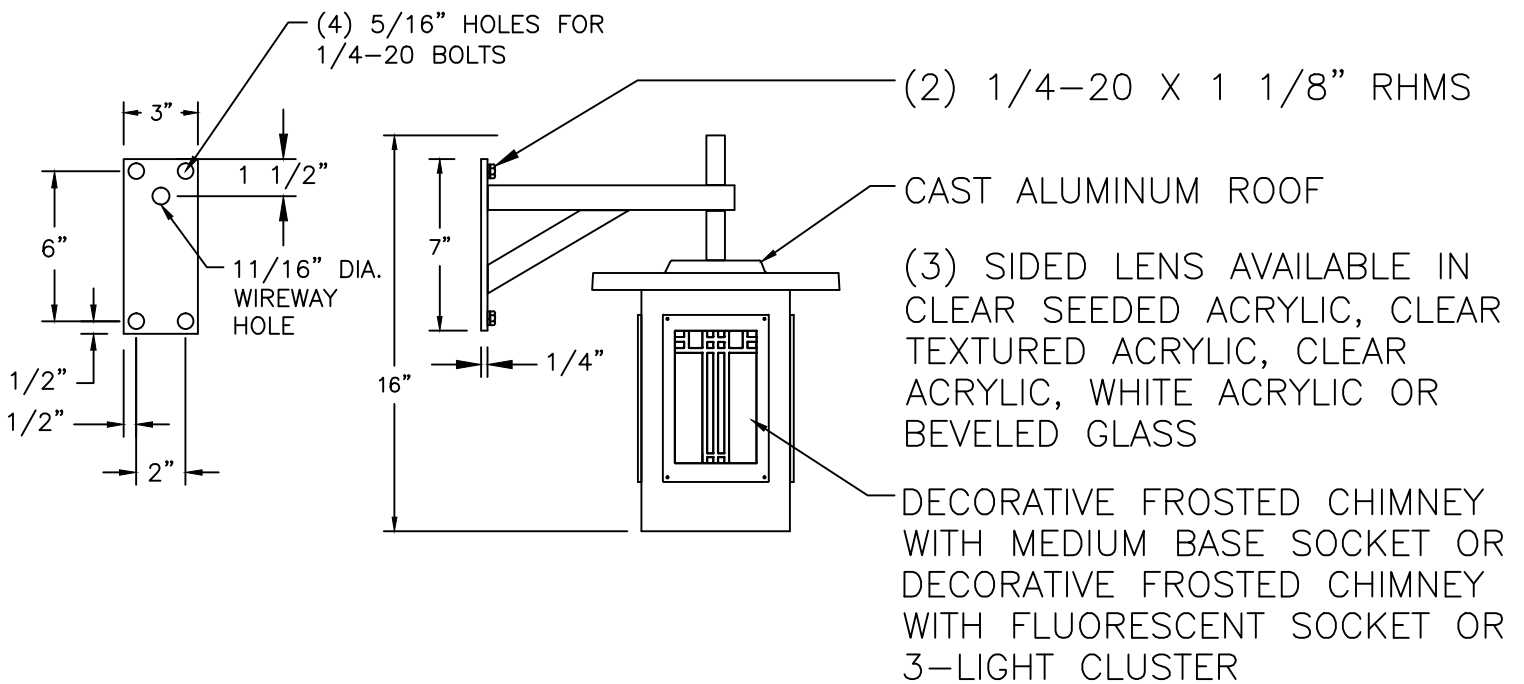
DRAWN LMG  
DRAWN DATE DEC 6 2011  
DRAWING NUMBER

# 560/HMA3 CRAFTSMAN RESIDENTIAL SERIES



ALL ELECTRICAL COMPONENTS ARE U.L. OR E.T.L. LISTED IN USA AND CANADA.

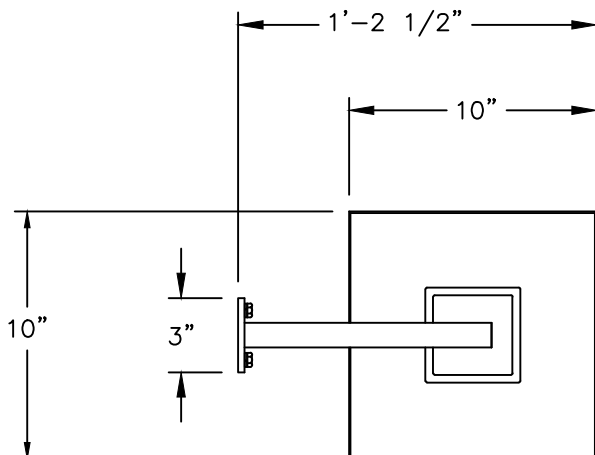
FIXTURE WILL BE PREWIRED AND TESTED.



560/HMA3

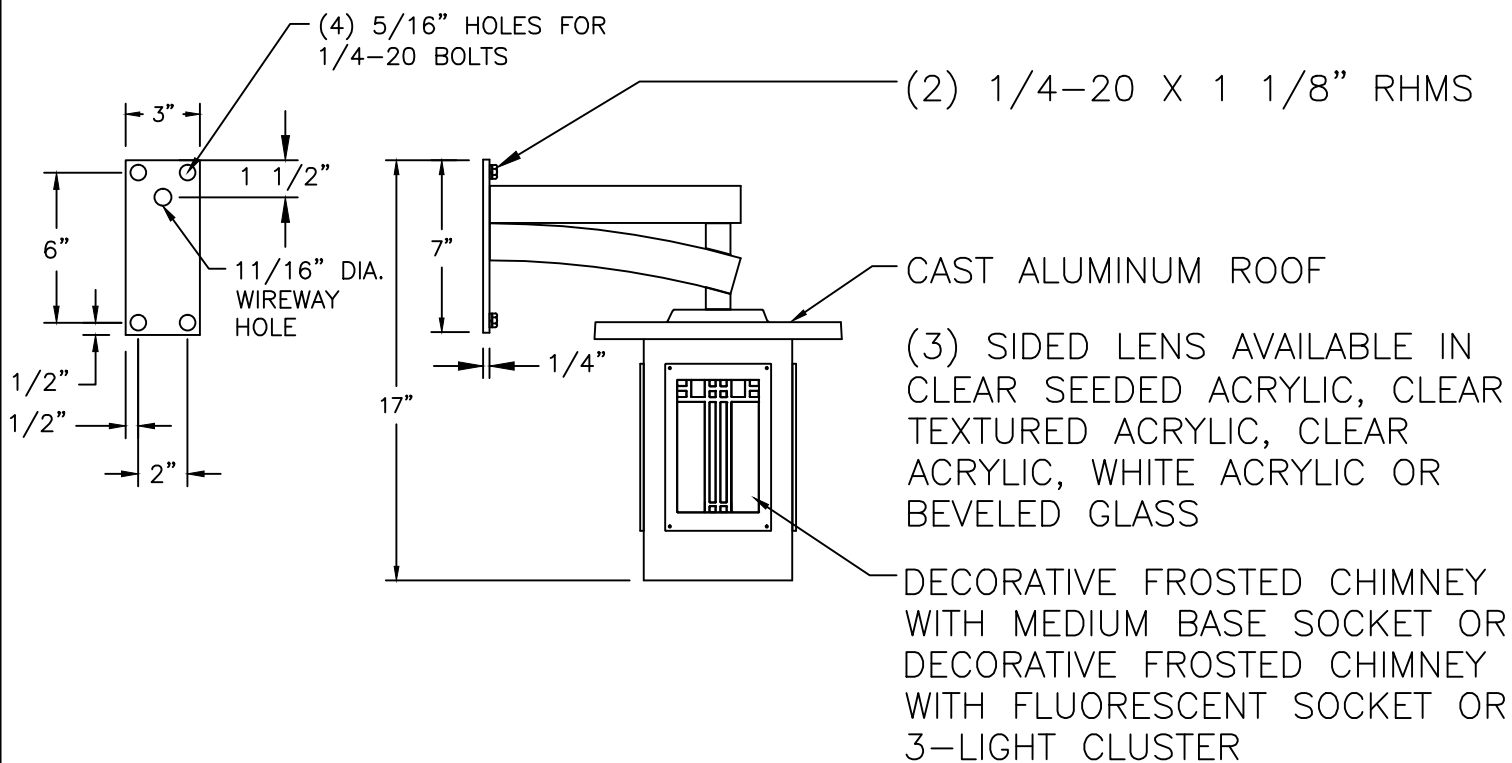
3/16"=1'	DRAWN	LMG
	DRAWN DATE	NOV 30 2011
		DRAWING NUMBER

# 560/TPS3 CRAFTSMAN RESIDENTIAL SERIES



ALL ELECTRICAL COMPONENTS ARE U.L. OR E.T.L. LISTED IN USA AND CANADA.

FIXTURE WILL BE PREWIRED AND TESTED.

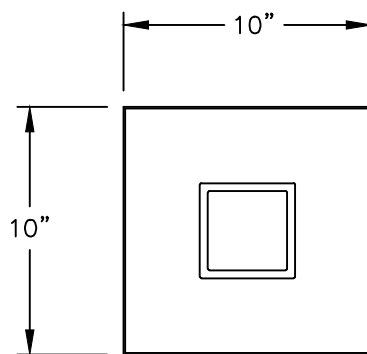


560/TPS3

3/16"=1'

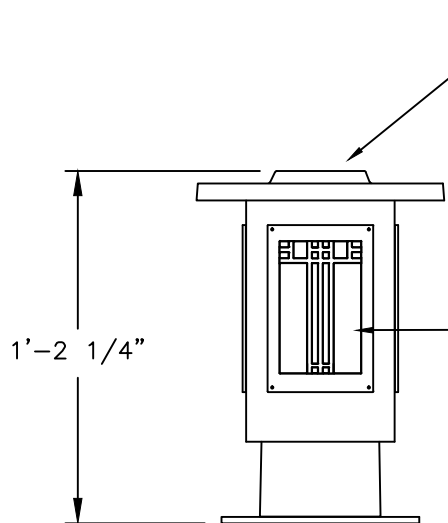
DRAWN LMG  
DRAWN DATE NOV 14 2011  
DRAWING NUMBER

# 560/PB CRAFTSMAN RESIDENTIAL SERIES



ALL ELECTRICAL COMPONENTS ARE U.L. OR E.T.L. LISTED IN USA AND CANADA.

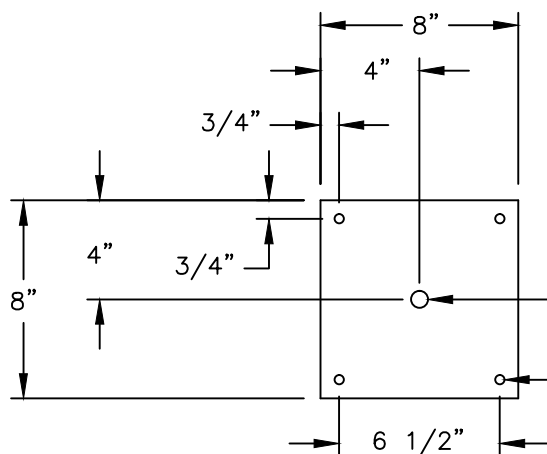
FIXTURE WILL BE PREWIRED AND TESTED.



CAST ALUMINUM ROOF

(3) SIDED LENS AVAILABLE IN CLEAR SEEDED ACRYLIC, CLEAR TEXTURED ACRYLIC, CLEAR ACRYLIC, WHITE ACRYLIC OR BEVELED GLASS

DECORATIVE FROSTED CHIMNEY WITH MEDIUM BASE SOCKET OR DECORATIVE FROSTED CHIMNEY WITH FLUORESCENT SOCKET OR 3-LIGHT CLUSTER



11/16" WIRE WAY HOLE

(4) 3/8" DIA. MOUNTING HOLES

**STERNBERG**  
SINCE 1923

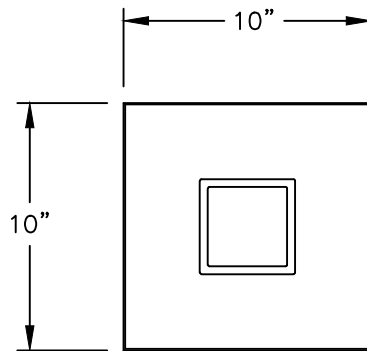
560/PB

3/16"=1'

DRAWN LMG  
DRAWN DATE DEC 8 2011  
DRAWING NUMBER

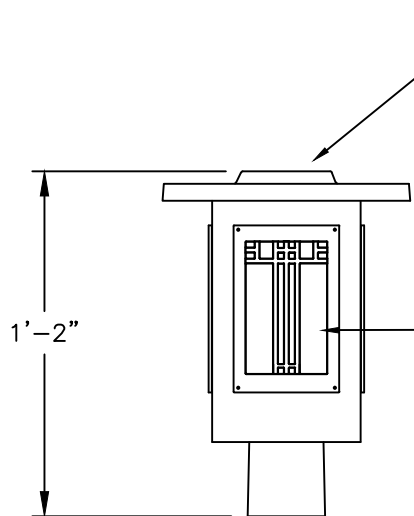


# 560PT CRAFTSMAN RESIDENTIAL SERIES



ALL ELECTRICAL COMPONENTS ARE U.L. OR E.T.L. LISTED IN USA AND CANADA.

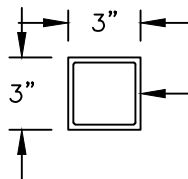
FIXTURE WILL BE PREWIRED AND TESTED.



CAST ALUMINUM ROOF

(3) SIDED LENS AVAILABLE IN CLEAR SEEDED ACRYLIC, CLEAR TEXTURED ACRYLIC, CLEAR ACRYLIC, WHITE ACRYLIC OR BEVELED GLASS

DECORATIVE FROSTED CHIMNEY WITH MEDIUM BASE SOCKET OR DECORATIVE FROSTED CHIMNEY WITH FLUORESCENT SOCKET OR 3-LIGHT CLUSTER



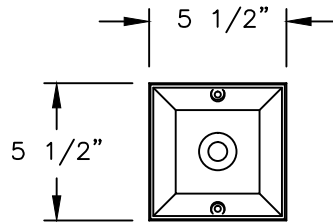
TO SLIP FIT 4" SQUARE TENON



560PT

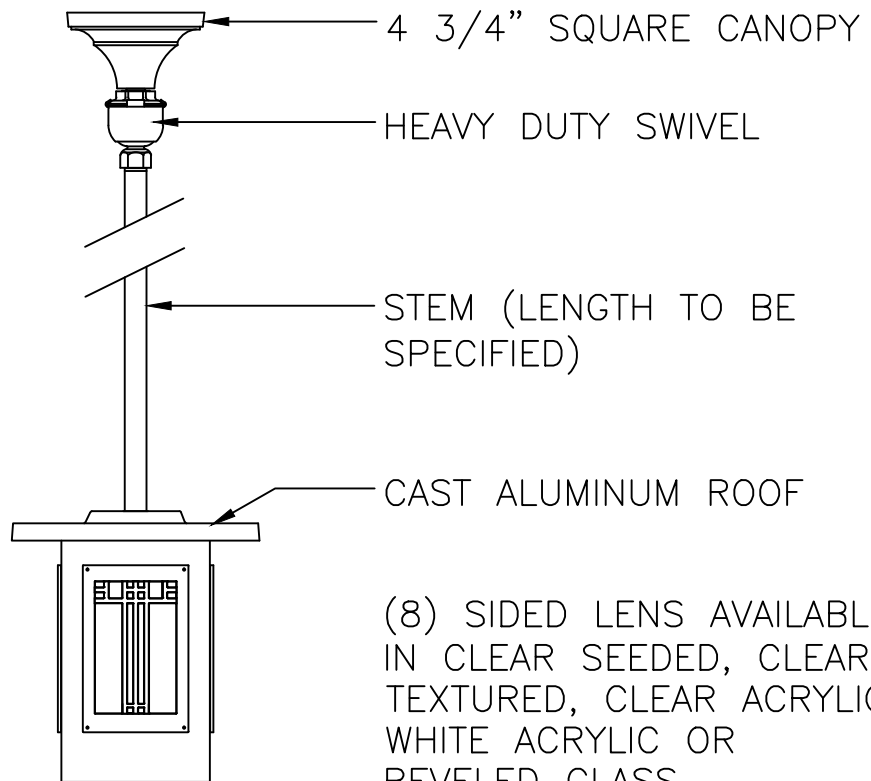
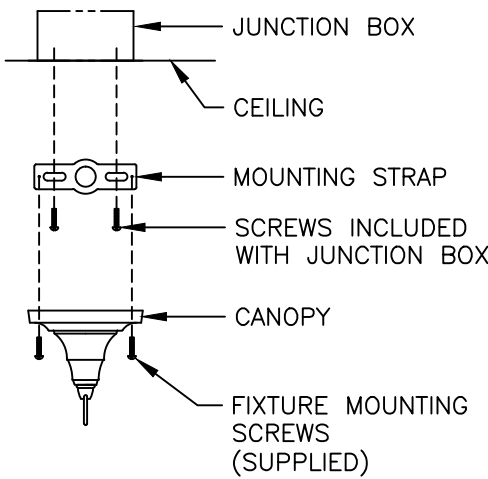
	DRAWN LMG
3/16"=1'	DRAWN DATE DEC 8 2011
	DRAWING NUMBER

# 560HSH27 CRAFTSMAN RESIDENTIAL SERIES



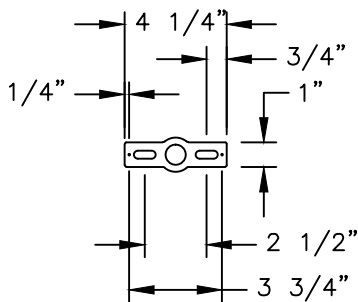
ALL ELECTRICAL COMPONENTS ARE U.L. OR E.T.L. LISTED IN USA AND CANADA.

FIXTURE WILL BE PREWIRED AND TESTED.



(8) SIDED LENS AVAILABLE IN CLEAR SEEDED, CLEAR TEXTURED, CLEAR ACRYLIC, WHITE ACRYLIC OR BEVELED GLASS

DECORATIVE FROSTED CHIMNEY WITH MEDIUM BASE SOCKET OR DECORATIVE FROSTED CHIMNEY WITH FLUORESCENT SOCKET OR 3-LIGHT CLUSTER



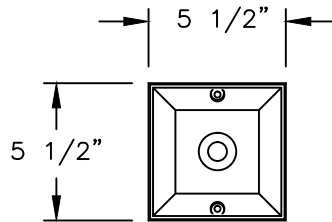
MOUNTING STRAP



560HSH27

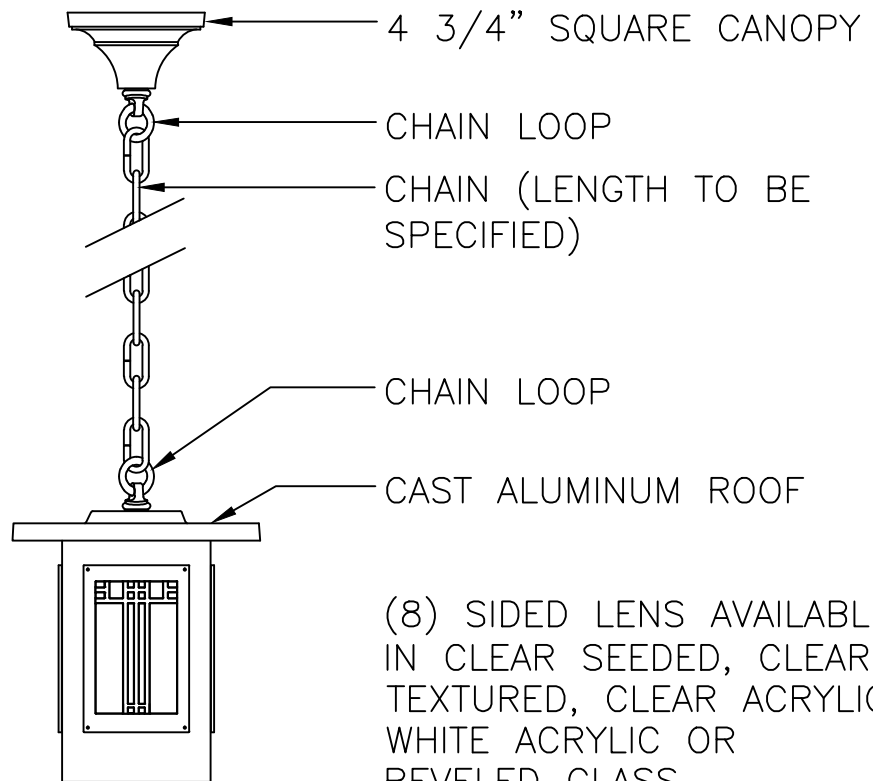
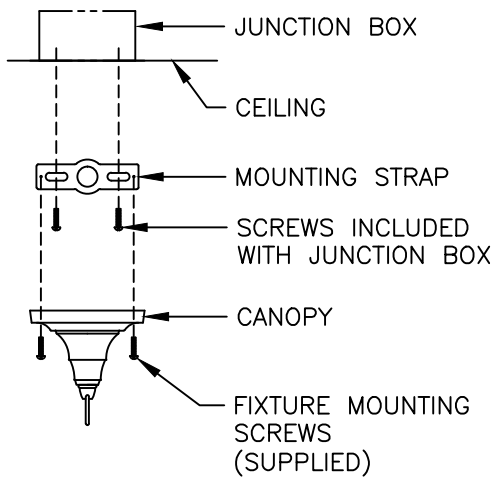
3/16"=1'	DRAWN	LMG
	DRAWN DATE	NOV 29 2011
		DRAWING NUMBER

# 560HCH27 CRAFTSMAN RESIDENTIAL SERIES

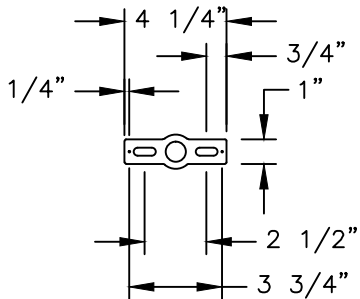


ALL ELECTRICAL COMPONENTS ARE U.L. OR E.T.L. LISTED IN USA AND CANADA.

FIXTURE WILL BE PREWIRED AND TESTED.



(8) SIDED LENS AVAILABLE IN CLEAR SEEDED, CLEAR TEXTURED, CLEAR ACRYLIC, WHITE ACRYLIC OR BEVELED GLASS



MOUNTING STRAP

DECORATIVE FROSTED CHIMNEY WITH MEDIUM BASE SOCKET OR DECORATIVE FROSTED CHIMNEY WITH FLUORESCENT SOCKET OR 3-LIGHT CLUSTER



560HCH27

3/16"=1'	DRAWN	LMG
	DRAWN DATE	NOV 29 2011
		DRAWING NUMBER