



550 CONCORD SERIES

ARCHITECTURAL POLE

DIMENSIONS
12" Ø
4" TALL



JOB NAME _____

FIXTURE TYPE _____

MEMO _____

BUILD A PART NUMBER

ORDERING EXAMPLE: 550FP5-14-.188-BCC-GFILPIUC-SH/BKT

Base Model	Shaft	Height	Wall Thickness	Post Center Cap	Option Burial	Option Photocell	Option Receptacle	Option Flag Pole Holder	Option Banner Arms	Option Planter Arms	Option Sign Arms	Option Speaker Hub	Option Sign Bracket	Option Steel Wreath Hook	Finish

Model

- 550

Shaft

- T5: 5"-3" Tapered Smooth
- T54: 5"-4" Tapered Smooth
- P5: 5" Straight Smooth
- FP5: 5" Straight Fluted

¹Not available in .125 wall.

Height (in feet)

- 8 • 10 • 12 • 14
- 16 • 18 • 20

Wall Thickness

- .125: 1/8" Wall Thickness
- .188: 3/16" Wall Thickness
- .250: 1/4" Wall Thickness

Post Center Cap (if required)

(Click here to view post cap sheet)

- BCC • FCC • SCC • TFCC
- SSCC • RCC • PCC

Options (Click here to view accessories sheet)

- DB4 Direct Burial mounting style pole, with 4' direct burial section (or advise other length)
- HXB Helix Base mounting style pole
- PCD Electronic Button Photocontrol, mounted on an access door (120v-277v)
- PCD4 Electronic Button Photocontrol, mounted on an access door (480v)
- GFI LPIUC 15 Amp duplex GFCI receptacles with a low-profile in-use cover
- GFI IUC 15 Amp duplex GFCI receptacles with a standard in-use cover

- USB LPIUC 15 Amp duplex USB/Receptacle combo with a low-profile in-use cover (NON-GFI)
- USB IUC 15 Amp duplex USB/Receptacle combo with a standard in-use cover (NON-GFI)
- FH Cast Aluminum flag holder mount, for use with 1" diameter flag pole
- SBA Single Banner Arm, "PM" style mount
- DBA Double Banner Arms, "PM" style mount
- SBAR Single Banner Arm and Ring, for triangle banners, "PM" style mount
- HSBA Single Banner Arm, HUB mount style mount
- HDBA Double Banner Arms, HUB mount style mount
- BDBA6 Double Banner Arms, Break-Away style, to break with 60MPH wind gust
- BDBA9 Double Banner Arms, Break-Away style, to break with 90MPH wind gust
- C5SBA Single Banner Arm, Clamp-Style mount, for 5" diameter poles
- C5DBA Double Banner Arms at 180°, Clamp-Style mount, for 5" diameter poles
- DHPA Double Hooked Planter Arm
- SHPA Single Hooked Planter Arm
- DSPA Double Stepped Planter Arm
- SSPA Single Stepped Planter Arm
- PA478 Cast aluminum decorative planter arm
- SA78 Small cast aluminum decorative sign arm, with 24" long channel for blade sign by others
- SA478 Large cast aluminum decorative sign arm, with 24" long channel for blade sign by others
- SABA Banner arm style sign arm, with 24" long channel for blade sign by others
- SH Female threaded speaker hub, advise thread size

- SB Sign Bracket, vertically mounted on pole shaft
- WHK Steel wreath hook

Finish

Standard Finishes² (Click here to view paint finish sheet)

- BKT Black Textured
- WHT White Textured
- PGT Park Green Textured
- ABZT Architectural Medium Bronze Textured
- DBT Dark Bronze Textured

²Smooth finishes are available upon request.

Sternberg Select Finishes

- VG Verde Green
- SI Swedish Iron
- OWGT Old World Gray Textured

Standard Urban Finishes (Click here to view paint finish sheet)

- UGMT Gun Metal Textured
- UGM Gun Metal Matte
- UBT Urban Bronze Textured
- UB Urban Bronze Matte
- ULBT Urban Light Bronze Textured
- ULB Urban Light Bronze Matte
- USLT Urban Silver Textured
- USL Urban Silver Matte
- UWHT Urban White Textured
- UWH Urban White Matte
- UCHS Urban Champagne Satin Smooth

Custom Finishes³

- CM Custom Match
- OI Old Iron
- RT Rust
- WBR Weathered Brown
- CD Cedar
- WBK Weathered Black
- TT Two Tone

³Custom colors require upcharge.



800-621-3376
555 Lawrence Ave., Roselle, IL 60172
info@sternberglighting.com
www.sternberglighting.com

550 CONCORD SERIES

ARCHITECTURAL POLE

Specifications

Construction

The base shall be made of heavy wall, 356 alloy cast aluminum. It shall have a 3/4" thick floor cast as an integral part of the base. It shall have a cast anchor bolt cover designed with a curved relief. The shaft shall be double circumferentially welded internally and externally to the base for added strength.

Tenon

Standard tenon size to be 3" OD x 3" tall. Consult factory for additional sizes.

Shaft

The straight smooth shaft shall be made of ASTM 6063 extruded aluminum and tempered to a T6 condition.

The tapered smooth shaft shall be made of ASTM 6063 extruded aluminum and tempered to a T6 condition.

The straight fluted shaft will have a 12 Flat Flute profile and shall be made of ASTM 6061 extruded aluminum and tempered to a T6 condition.

Installation

Four 3/4" diameter, hot-dipped galvanized "L" type anchor bolts shall be provided with the

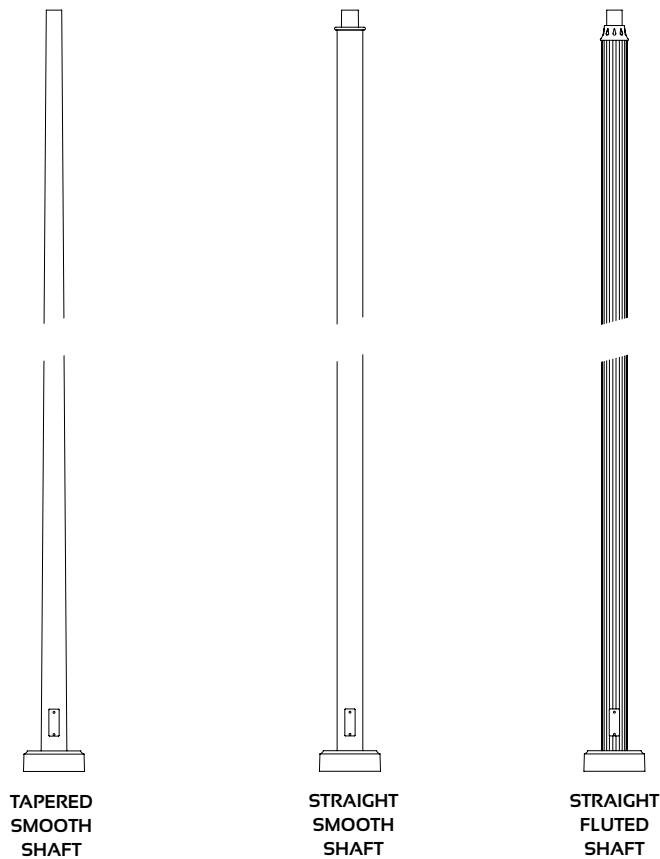
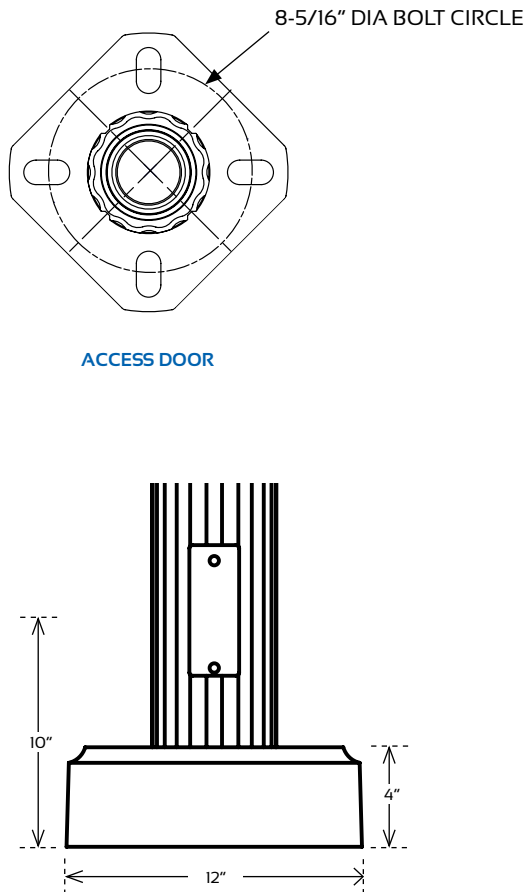
post for anchorage, they shall be mounted in a 8-5/16" bolt circle. Post will be provided with an access door which shall be secured with stainless steel hardware, includes a grounding stud behind the access door.

Warranty

Five-year limited warranty. See product and finish warranty guide for details.

Finish

Refer to website for details.



550 CONCORD SERIES

ARCHITECTURAL POLE

EPA Chart - AASHTO 2009

POLE HEIGHT	90 MPH	100 MPH	110 MPH	120 MPH	130 MPH	140 MPH	150 MPH
FP5 5" Straight Fluted Pole - 0.188" Wall Thickness							
8	17.30	13.76	11.15	9.15	7.60	6.37	5.38
10	13.44	10.56	8.43	6.82	5.56	4.56	3.75
12	10.68	8.25	6.46	5.10	4.04	3.20	2.52
14	8.56	6.47	4.92	3.75	2.83	2.10	1.52
16	6.87	5.03	3.67	2.63	1.82	1.18	0.67
FP5 5" Straight Fluted Pole - 0.25" Wall Thickness							
12	14.25	11.15	8.86	7.11	5.75	4.67	3.80
14	11.65	8.97	6.99	5.48	4.31	3.38	2.63
16	9.59	7.23	5.49	4.16	3.13	2.31	1.65
18	7.88	5.78	4.22	3.04	2.12	1.38	0.79
20	6.44	4.54	3.13	2.06	1.23	0.57	
P5 5" Straight Smooth Shaft - 0.125" Wall Thickness							
8	11.88	9.56	7.85	6.56	5.55	4.76	4.12
10	9.18	7.36	6.02	5.01	4.22	3.60	3.11
12	7.25	5.78	4.70	3.88	3.26	2.76	2.37
14	5.77	4.56	3.68	3.02	2.51	2.11	1.79
16	4.58	3.58	2.85	2.31	1.90	1.58	1.32
P5 5" Straight Smooth Shaft - 0.188" Wall Thickness							
10	13.86	11.15	9.15	7.64	6.47	5.54	4.79
12	11.20	8.97	7.34	6.10	5.15	4.39	3.79
14	9.18	7.32	5.96	4.93	4.14	3.52	3.02
16	7.58	6.01	4.86	4.00	3.33	2.81	2.40
18	6.26	4.92	3.95	3.22	2.66	2.23	1.88
P5 5" Straight Smooth Shaft - 0.25" Wall Thickness							
12	14.77	11.87	9.73	8.11	6.86	5.87	5.08
14	12.27	9.82	8.03	6.67	5.62	4.79	4.13
16	10.29	8.21	6.68	5.53	4.64	3.94	3.38
18	8.68	6.89	5.57	4.58	3.83	3.23	2.76
20	7.33	5.77	4.64	3.79	3.14	2.63	2.23
T5-3 5" - 3" Smooth Tapered Shaft - 0.125" Wall Thickness							
8	6.65	5.25	4.29	3.56	3.00	2.55	2.20
10	4.95	3.83	3.10	2.55	2.13	1.79	1.53
12	3.70	2.78	2.21	1.79	1.47	1.22	1.02
14	2.71	1.94	1.51	1.19	0.95	0.76	0.61
T5-3 5" - 3" Smooth Tapered Shaft - 0.188" Wall Thickness							
10	7.72	6.08	4.96	4.11	3.46	2.94	2.53
12	6.03	4.67	3.78	3.11	2.59	2.19	1.86
14	4.73	3.58	2.86	2.32	1.91	1.59	1.34
16	3.67	2.68	2.10	1.68	1.35	1.10	0.90
T5-3 5" - 3" Smooth Tapered Shaft - 0.25" Wall Thickness							
12	8.15	6.39	5.20	4.30	3.61	3.06	2.63
14	6.56	5.06	4.08	3.35	2.79	2.35	2.00
16	5.28	3.99	3.18	2.58	2.12	1.77	1.48
18	4.22	3.09	2.42	1.93	1.56	1.27	1.05

*Consult factory for other heights.
 ** All EPA values expressed in square feet.

550 CONCORD SERIES

ARCHITECTURAL POLE

EPA Chart - AASHTO 2009

POLE HEIGHT	90 MPH	100 MPH	110 MPH	120 MPH	130 MPH	140 MPH	150 MPH
T5-4 5" - 4" Smooth Tapered Shaft - 0.125" Wall Thickness							
8	6.60	5.28	4.31	3.58	3.02	2.57	2.22
10	4.88	3.87	3.14	2.58	2.16	1.82	1.55
12	3.62	2.83	2.26	1.83	1.51	1.25	1.05
14	2.61	2.00	1.56	1.23	0.99	0.80	0.65
T5-4 5" - 4" Smooth Tapered Shaft - 0.188" Wall Thickness							
10	7.66	6.12	4.99	4.14	3.48	2.97	2.55
12	5.95	4.72	3.82	3.15	2.63	2.22	1.89
14	4.63	3.64	2.91	2.37	1.95	1.63	1.38
16	3.56	2.75	2.16	1.73	1.40	1.14	0.94
18	2.66	2.00	1.53	1.18	0.93	0.73	0.57
T5-4 5" - 4" Smooth Tapered Shaft - 0.25" Wall Thickness							
12	8.07	6.44	5.24	4.34	3.64	3.10	2.66
14	6.46	5.12	4.14	3.40	2.83	2.39	2.03
16	5.17	4.05	3.24	2.64	2.17	1.81	1.52
18	4.09	3.16	2.49	1.99	1.61	1.32	1.09
20	3.17	2.40	1.84	1.44	1.13	0.90	0.71

* Consult factory for other heights.
 ** All EPA values expressed in square feet.