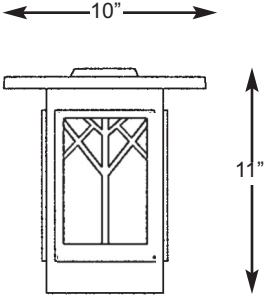


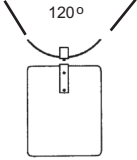






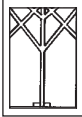

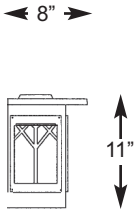
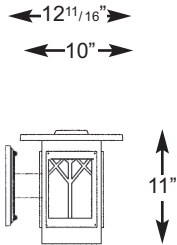
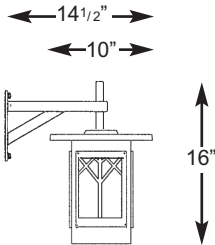
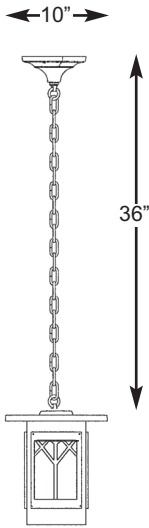
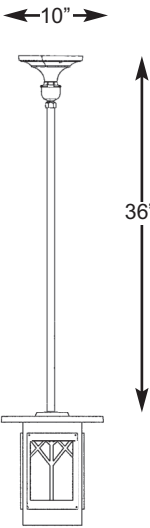
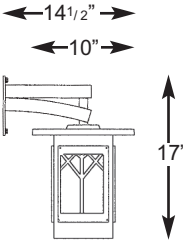
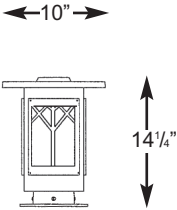
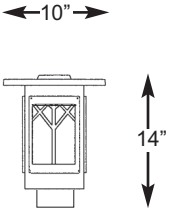


# 550 PRAIRIE RESIDENTIAL SERIES

# SPECIFICATIONS

FIXTURE	SOCKET TYPE	OPTICAL SYSTEMS	BB BALLAST BOX	POST FITTER
 <p><b>550</b></p>	 <p><b>MED</b> Single Medium Base Socket</p>	 <p><b>PL</b> Compact Fluorescent</p>	 <p><b>HSS</b> House Side Shield</p>	<p><b>879BB</b> - Medium Scale for up to 50 watt</p>  <p><b>27BB</b> - Hanging or Pier for up to 50 watt ballasts</p>  <p><b>SIZES</b></p> <ul style="list-style-type: none"> <li>○ R3"</li> <li>□ S4"</li> <li>○ R4"</li> </ul>


LENSES											
	<b>CA</b> Clear Acrylic		<b>CSA</b> Clear Seeded Acrylic		<b>CTA</b> Clear Textured Acrylic		<b>PA</b> Prismatic Acrylic		<b>WA</b> White Acrylic		<b>AGB</b> Art Glass Brown Marble

POST MOUNT, WALL BRACKETS & PIER MOUNT				
 <p><b>550WB</b></p>	 <p><b>550/66WB</b></p>	 <p><b>550/HMA3<sup>+</sup></b></p>	 <p><b>550HCH27</b></p>	 <p><b>550HSH27</b></p>
 <p><b>550/TPS3</b></p>	 <p><b>550PB</b></p>	 <p><b>550PT<sup>+</sup></b></p>		

NOTE: 50 watt MH electronic ballast only

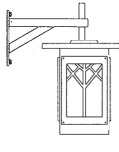
# BUILDING A PART NUMBER

## POST & ARM FIXTURES



**CENTER**  
**ARM MOUNTED FIXTURE POST TOP FIXTURE**  
**NO. OF ARMS**    **FIXTURE / POSTARM**    **FIXT./FITTER**    **POST**    **POST CAP**    **LIGHT SOURCE BALLAST**    **OPTICS**    **OPTIONS**    **LENS**    **FINISH**  
 (See Post Section)    **WATTS / TYPE / VOLTS**  
 [ ] — [ ] / [ 550/S4 ] / [ 4SQX ] / [ ] / [ 50MHP120 ] / [ ] / [ ] / [ WA ] / [ BKT ]

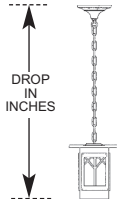
## WALL FIXTURES



**FIXTURE / WALL BRACKET**    **LIGHT SOURCE BALLAST**    **OPTICS**    **OPTIONS**    **LENS**    **FINISH**  
**WATTS / TYPE / VOLTS**  
 [ 550HMA3 ] / [ 50MHP120 ] / [ ] / [ MHP50/MED ] / [ WA ] / [ BKT ]

**PIER FIXTURES**  
 Uses same information boxes as wall fixture  
 [ 550/P28B ]  
**FIXTURE / PIER BASE**

## HANGING FIXTURES



**FIXTURE / HANGING BRACKET**    **OVERALL DROP IN INCHES**    **LIGHT SOURCE BALLAST**    **OPTICS**    **OPTIONS**    **LENS**    **FINISH**  
**WATTS / TYPE / VOLTS**  
 [ 550H/CH27 ] / [ 36 INCHES ] / [ 50MHP120 ] / [ FMC ] / [ MHP50/MED ] / [ CA ] / [ BKT ]

## PART NUMBER SELECTIONS

- |   |  |   |  |  |   |   |
|---|--|---|--|--|---|---|
| <b>FIXTURES</b><br>• 550<br><br><b>OPTICS</b><br>• HSS<br>• MED<br>• PL<br><br><b>FITTERS</b><br>• R3<br>• S4<br>• R4 | <b>LENSES</b><br>• CA<br>• CSA<br>• CTA<br>• PA<br>• WA<br>• AGB<br><br><b>POST ARMS</b><br>• 66PM<br>• HMA3PM<br>• TPS3PM | <b>WALL BRACKET ARMS</b><br>• 66WB<br>• HMA3WB<br>• TPS3WB<br><br><b>HANGING BRACKETS</b><br>• CH27<br>• SH27<br><br><b>PIER BASE</b><br>• PB | <b>LAMPS</b> <sup>4</sup><br>• HPS35/MED<br>• HPS50/MED<br>• MHP50/MED<br>• PLT26<br>• PLT32<br>• PLT42<br>• PLT57 | <b>BALLASTS</b> <sup>3,4</sup><br>• 35HPS <sup>1</sup><br>• 50HPS<br>• 50MHP<br>• 26PLT<br>• 32PLT<br>• 42PLT<br>• 57PLT<br>• INCAND<br>(60 watt max.) | <b>BB - BALLAST BOX</b><br>• 879BB - Medium Scale for up to 50 watt ballasts<br><br>• 27BB - Hanging or Pier for up to 50 watt ballasts | <b>STANDARD FINISHES*</b><br>• BKT Black Textured<br>• WHT White Textured<br>• PGT Park Green Textured<br>• ABZT Architectural Medium Bronze Textured<br>• DBT Dark Bronze Textured<br><br>*Smooth Finishes are available upon request<br><br><b>CUSTOM FINISHES</b><br>• OI Old Iron<br>• RT Rust<br>• WBR Weathered Brown<br>• CD Cedar<br>• WBK Weathered Black<br>• TT Two Tone |
|---|--|---|--|--|---|---|

### OPTIONS

- PEC1-E Photocell-Electronic 120-277 Volt
- FHS Single Fuse and Holder-120,277 Volt
- LAMPS Select from List

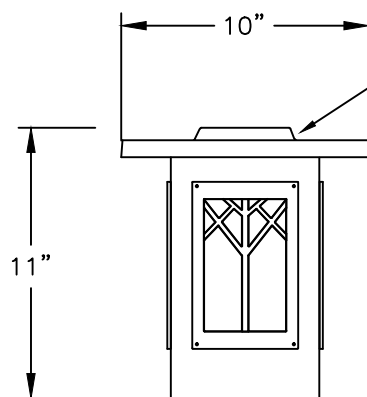
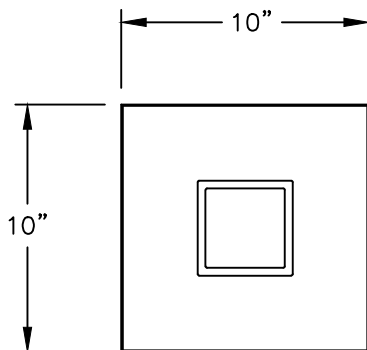
### NOTES:

- <sup>1</sup>35HPS is 120 volt only.
- <sup>2</sup>MED base only when used to house lamp.
- <sup>3</sup>Medium base sockets standard with ballasts up to 50 watts for HID. 4-pin for PL.
- <sup>4</sup>Metal halide systems are pulse start.

# 550 PRAIRIE RESIDENTIAL SERIES

ALL ELECTRICAL COMPONENTS ARE U.L. OR E.T.L. LISTED IN USA AND CANADA.

FIXTURE WILL BE PREWIRED AND TESTED.



CAST ALUMINUM ROOF

(3) SIDED LENS AVAILABLE IN CLEAR SEEDED ACRYLIC, CLEAR TEXTURED ACRYLIC, CLEAR ACRYLIC, WHITE ACRYLIC OR BEVELED GLASS

DECORATIVE FROSTED CHIMNEY WITH MEDIUM BASE SOCKET OR DECORATIVE FROSTED CHIMNEY WITH FLUORESCENT SOCKET OR 3-LIGHT CLUSTER



550

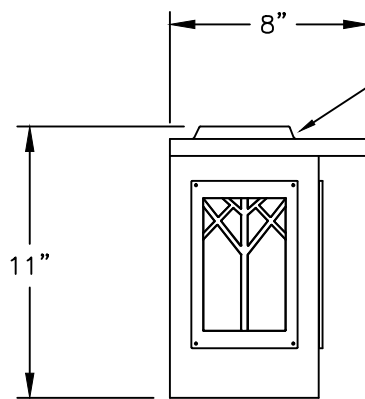
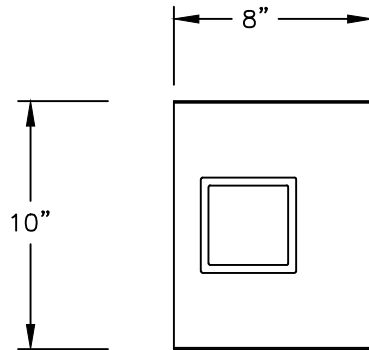
3/16"=1'

DRAWN LMG  
 DRAWN DATE DEC 6 2011  
 DRAWING NUMBER

# 550WB PRAIRIE RESIDENTIAL SERIES

ALL ELECTRICAL COMPONENTS ARE U.L. OR E.T.L. LISTED IN USA AND CANADA.

FIXTURE WILL BE PREWIRED AND TESTED.



CAST ALUMINUM ROOF

(3) SIDED LENS AVAILABLE IN CLEAR SEEDED ACRYLIC, CLEAR TEXTURED ACRYLIC, CLEAR ACRYLIC, WHITE ACRYLIC OR BEVELED GLASS

DECORATIVE FROSTED CHIMNEY WITH MEDIUM BASE SOCKET OR DECORATIVE FROSTED CHIMNEY WITH FLUORESCENT SOCKET OR 3-LIGHT CLUSTER



550WB

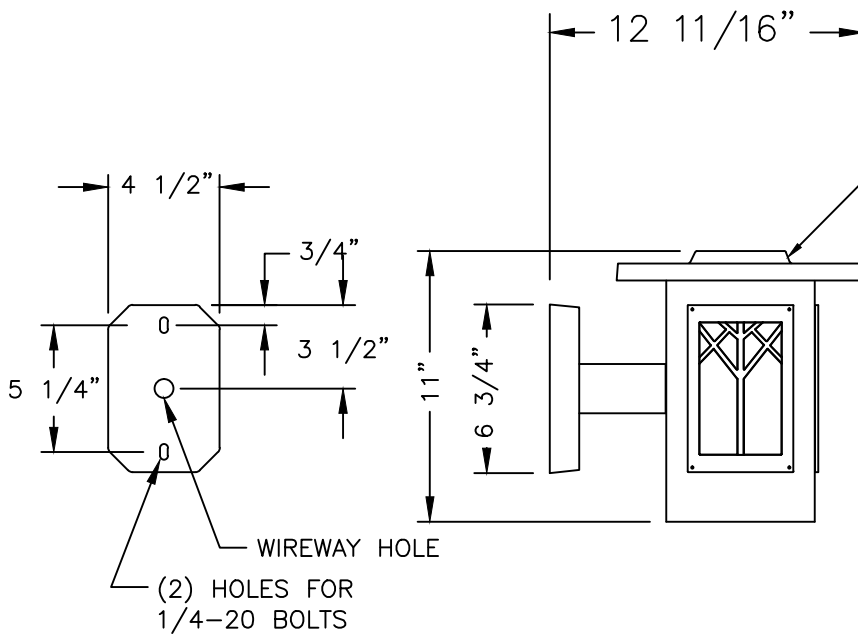
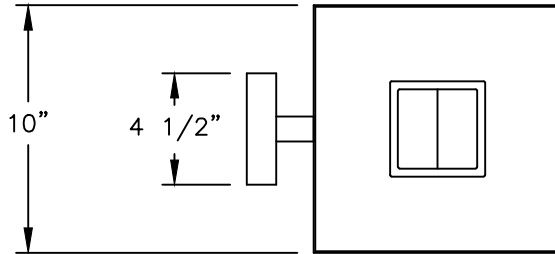
3/16"=1'

DRAWN LMG  
 DRAWN DATE DEC 6 2011  
 DRAWING NUMBER

# 550/66WB PRAIRIE RESIDENTIAL SERIES

ALL ELECTRICAL COMPONENTS ARE U.L. OR E.T.L. LISTED IN USA AND CANADA.

FIXTURE WILL BE PREWIRED AND TESTED.



CAST ALUMINUM ROOF

(3) SIDED LENS AVAILABLE IN CLEAR SEEDED ACRYLIC, CLEAR TEXTURED ACRYLIC, CLEAR ACRYLIC, WHITE ACRYLIC OR BEVELED GLASS

DECORATIVE FROSTED CHIMNEY WITH MEDIUM BASE SOCKET OR DECORATIVE FROSTED CHIMNEY WITH FLUORESCENT SOCKET OR 3-LIGHT CLUSTER

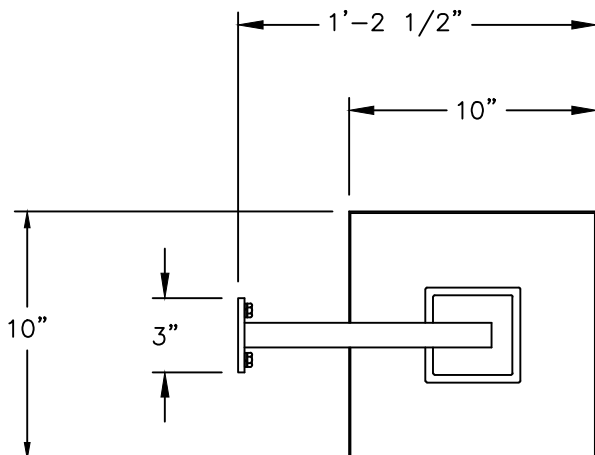
**STERNBERG**  
SINCE 1923

550/66WB

3/16"=1'

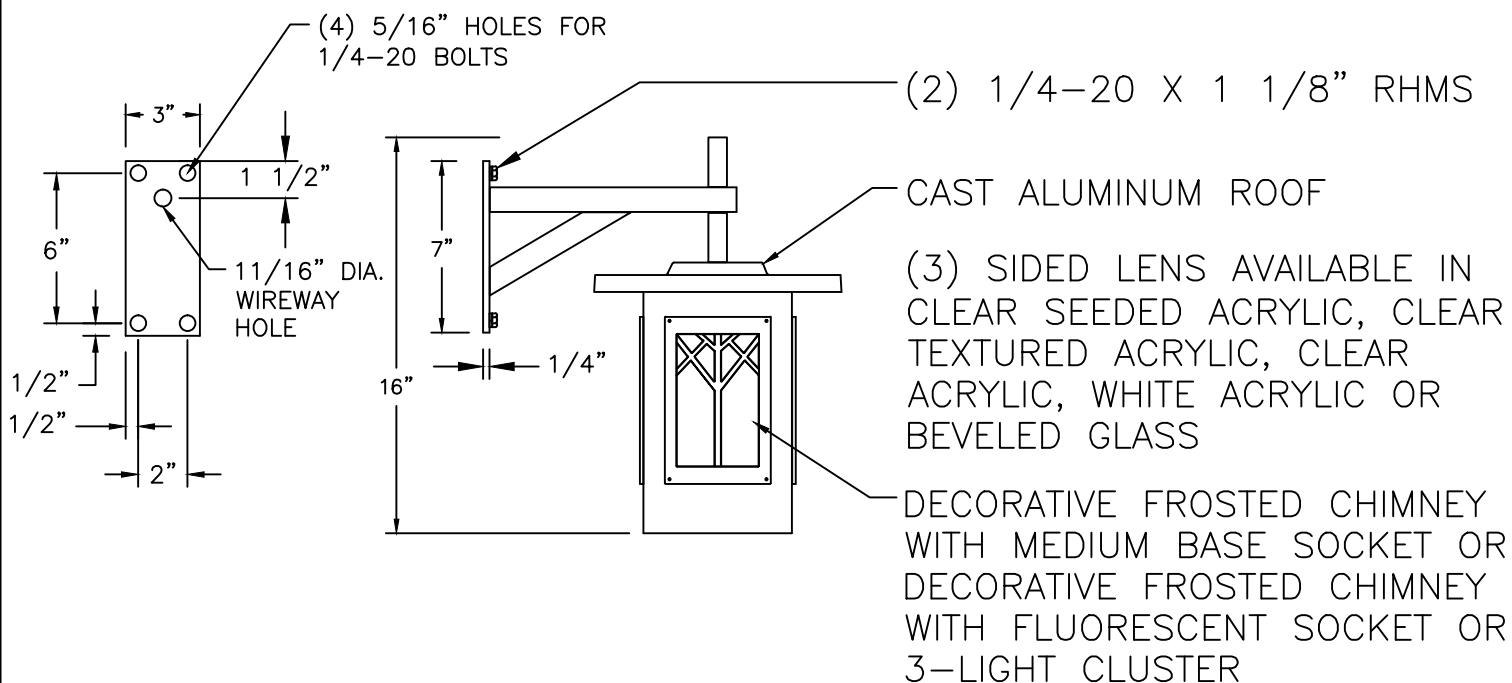
DRAWN LMG  
DRAWN DATE DEC 6 2011  
DRAWING NUMBER

# 550/HMA3 PRAIRIE RESIDENTIAL SERIES



ALL ELECTRICAL COMPONENTS ARE U.L. OR E.T.L. LISTED IN USA AND CANADA.

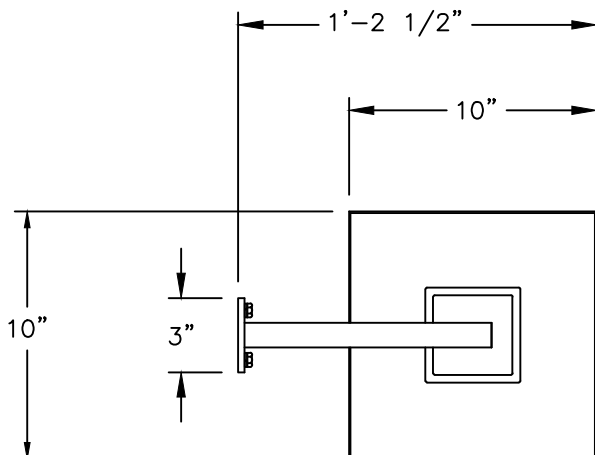
FIXTURE WILL BE PREWIRED AND TESTED.



550/HMA3

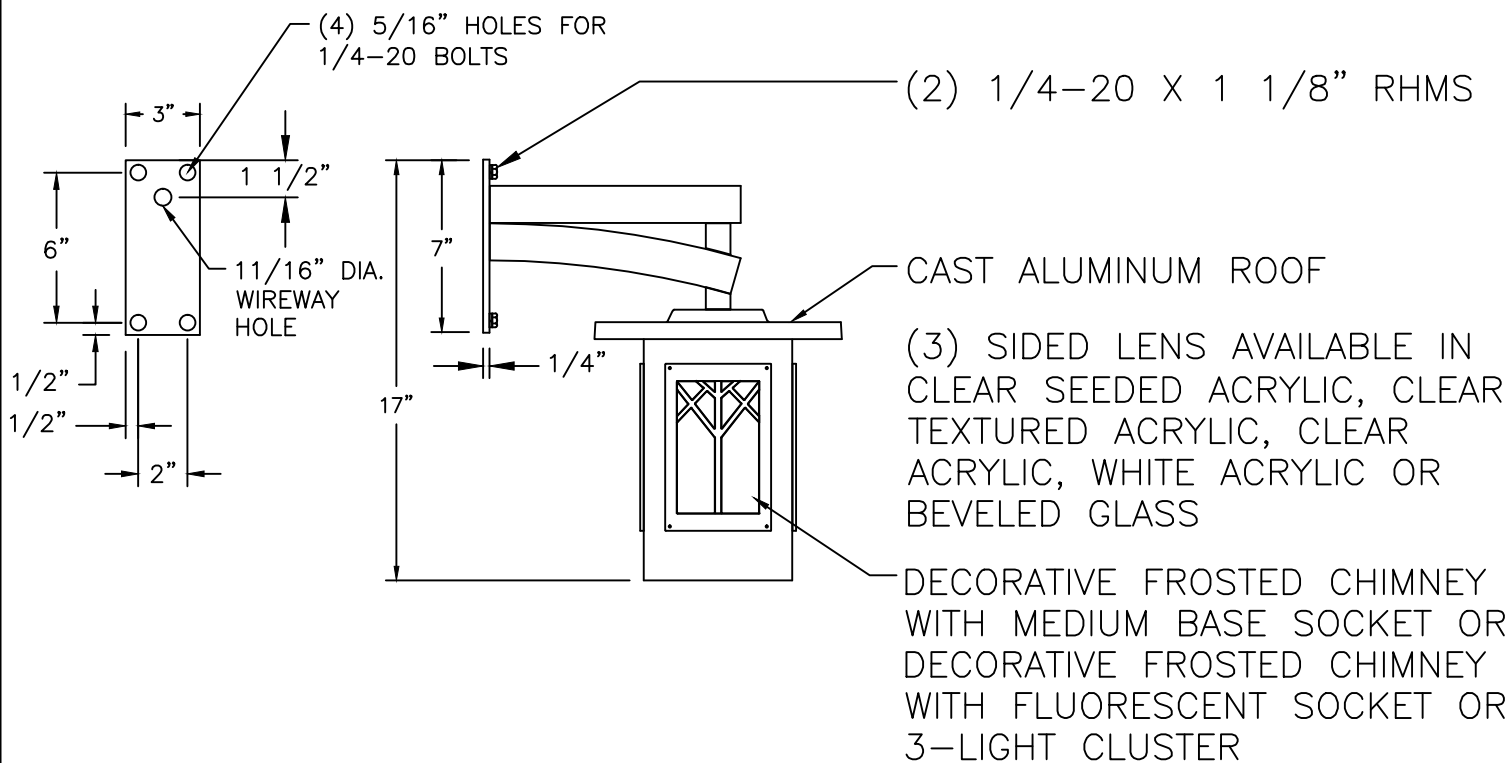
3/16"=1'	DRAWN LMG
	DRAWN DATE NOV 30 2011
DRAWING NUMBER	

# 550/TPS3 PRAIRIE RESIDENTIAL SERIES



ALL ELECTRICAL COMPONENTS ARE U.L. OR E.T.L. LISTED IN USA AND CANADA.

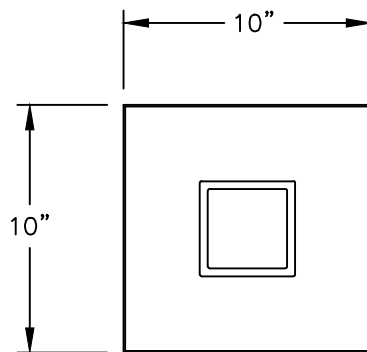
FIXTURE WILL BE PREWIRED AND TESTED.



550/TPS3

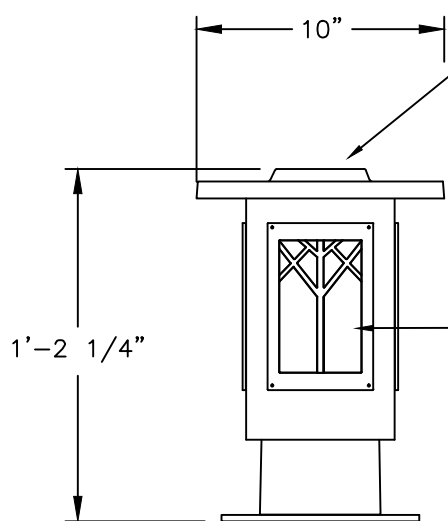
3/16"=1'	DRAWN	LMG
	DRAWN DATE	NOV 14 2011
		DRAWING NUMBER

# 550/PB PRAIRIE RESIDENTIAL SERIES



ALL ELECTRICAL COMPONENTS ARE U.L. OR E.T.L. LISTED IN USA AND CANADA.

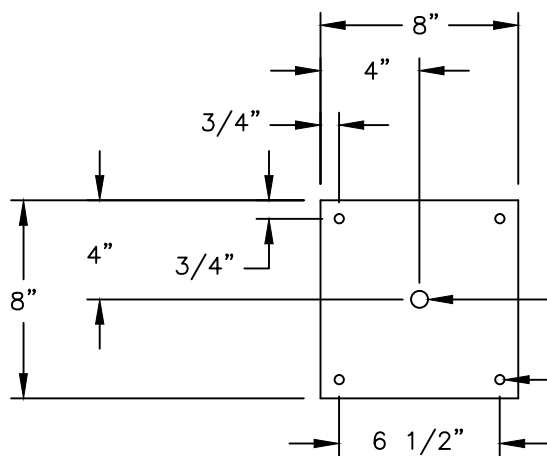
FIXTURE WILL BE PREWIRED AND TESTED.



CAST ALUMINUM ROOF

(3) SIDED LENS AVAILABLE IN CLEAR SEEDED ACRYLIC, CLEAR TEXTURED ACRYLIC, CLEAR ACRYLIC, WHITE ACRYLIC OR BEVELED GLASS

DECORATIVE FROSTED CHIMNEY WITH MEDIUM BASE SOCKET OR DECORATIVE FROSTED CHIMNEY WITH FLUORESCENT SOCKET OR 3-LIGHT CLUSTER



11/16" WIRE WAY HOLE

(4) 3/8" DIA. MOUNTING HOLES

**STERNBERG**  
SINCE 1923

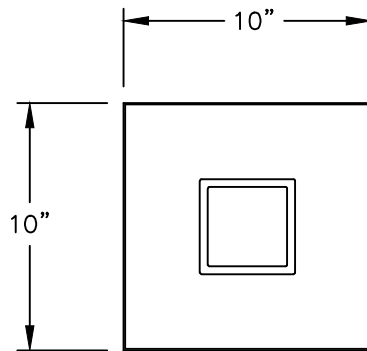
550/PB

3/16"=1'

DRAWN LMG  
DRAWN DATE DEC 8 2011  
DRAWING NUMBER

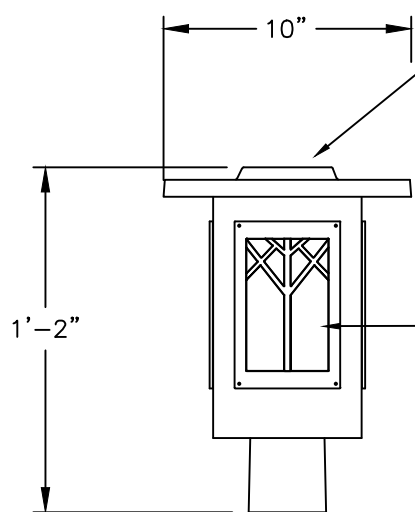


# 550PT PRAIRIE RESIDENTIAL SERIES



ALL ELECTRICAL COMPONENTS ARE U.L. OR E.T.L. LISTED IN USA AND CANADA.

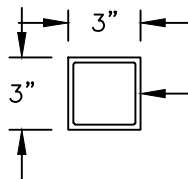
FIXTURE WILL BE PREWIRED AND TESTED.



CAST ALUMINUM ROOF

(3) SIDED LENS AVAILABLE IN CLEAR SEEDED ACRYLIC, CLEAR TEXTURED ACRYLIC, CLEAR ACRYLIC, WHITE ACRYLIC OR BEVELED GLASS

DECORATIVE FROSTED CHIMNEY WITH MEDIUM BASE SOCKET OR DECORATIVE FROSTED CHIMNEY WITH FLUORESCENT SOCKET OR 3-LIGHT CLUSTER



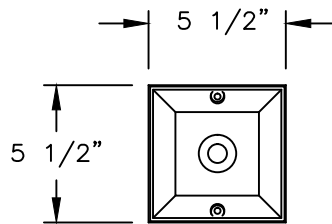
TO SLIP FIT 4" SQUARE TENON

**STERNBERG**  
SINCE 1923

550PT

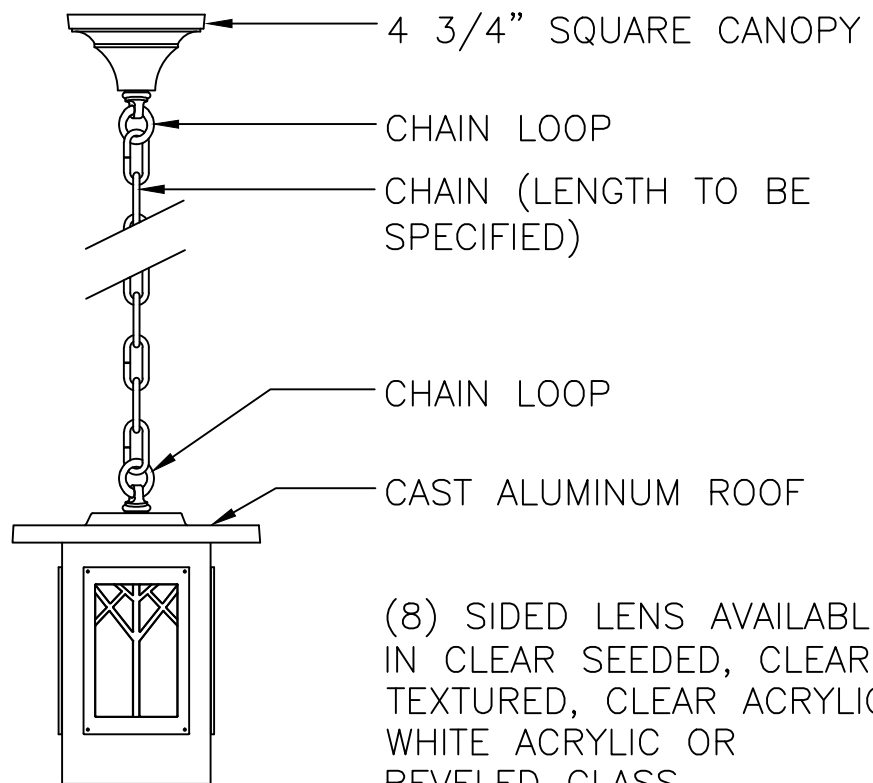
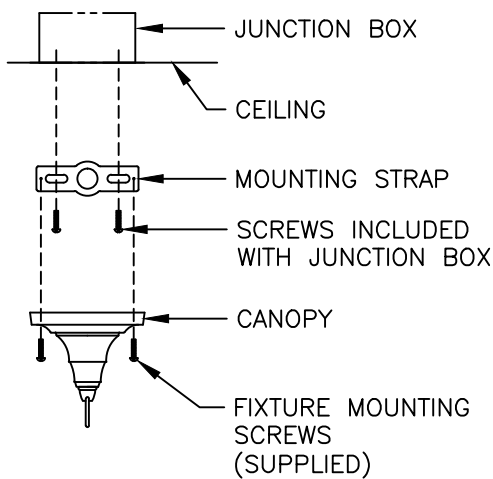
3/16"=1'	DRAWN	LMG
	DRAWN DATE	DEC 8 2011
		DRAWING NUMBER

# 550HCH27 PRAIRIE RESIDENTIAL SERIES



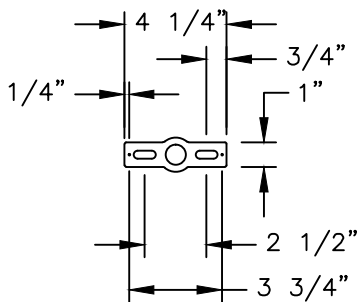
ALL ELECTRICAL COMPONENTS ARE U.L. OR E.T.L. LISTED IN USA AND CANADA.

FIXTURE WILL BE PREWIRED AND TESTED.



(8) SIDED LENS AVAILABLE IN CLEAR SEEDED, CLEAR TEXTURED, CLEAR ACRYLIC, WHITE ACRYLIC OR BEVELED GLASS

DECORATIVE FROSTED CHIMNEY WITH MEDIUM BASE SOCKET OR DECORATIVE FROSTED CHIMNEY WITH FLUORESCENT SOCKET OR 3-LIGHT CLUSTER



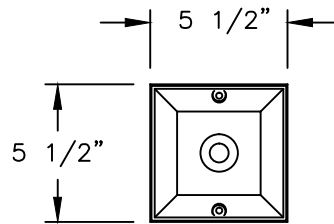
MOUNTING STRAP



550HCH27

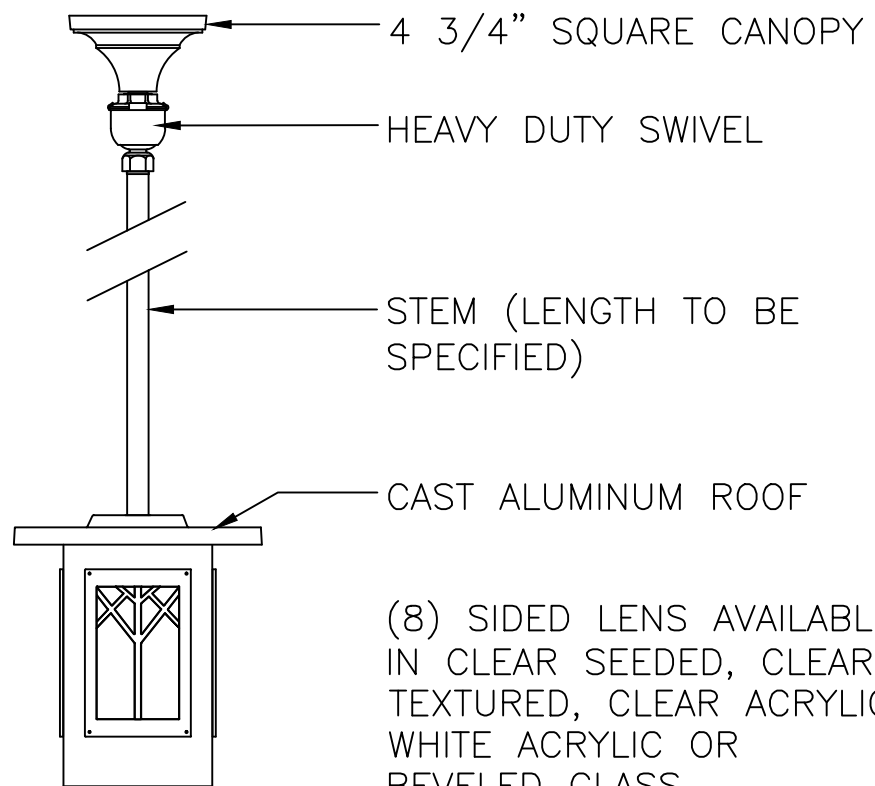
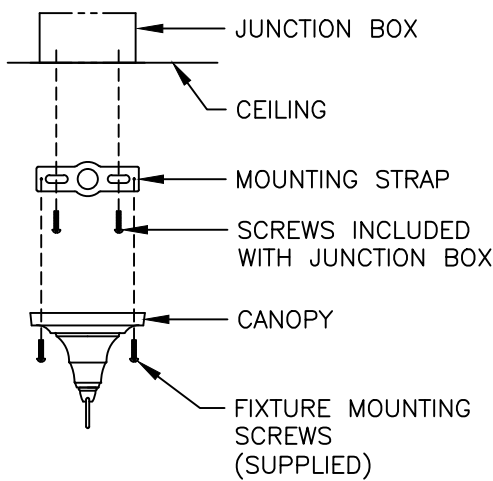
3/16"=1'	DRAWN	LMG
	DRAWN DATE	NOV 29 2011
		DRAWING NUMBER

# 550HSH27 PRAIRIE RESIDENTIAL SERIES



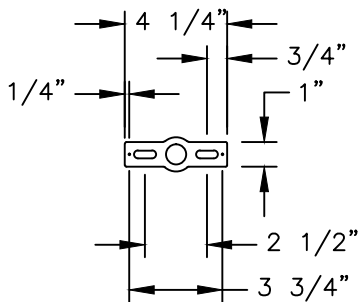
ALL ELECTRICAL COMPONENTS ARE U.L. OR E.T.L. LISTED IN USA AND CANADA.

FIXTURE WILL BE PREWIRED AND TESTED.



(8) SIDED LENS AVAILABLE IN CLEAR SEEDED, CLEAR TEXTURED, CLEAR ACRYLIC, WHITE ACRYLIC OR BEVELED GLASS

DECORATIVE FROSTED CHIMNEY WITH MEDIUM BASE SOCKET OR DECORATIVE FROSTED CHIMNEY WITH FLUORESCENT SOCKET OR 3-LIGHT CLUSTER



MOUNTING STRAP



550HSH27

3/16"=1'	DRAWN	LMG
	DRAWN DATE	NOV 29 2011
		DRAWING NUMBER