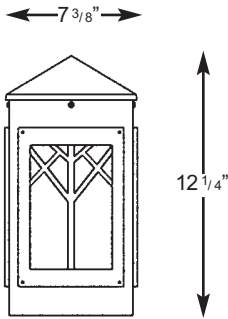


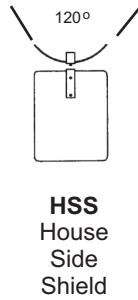
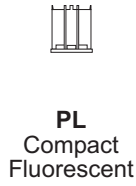
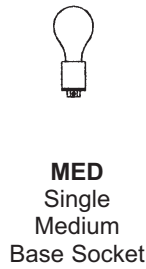
540 PARAGON RESIDENTIAL SERIES

SPECIFICATIONS

| FIXTURE | SOCKET TYPE | OPTICAL SYSTEMS | BB BALLAST BOX | POST FITTER |
|---------|-------------|-----------------|----------------|-------------|
|---------|-------------|-----------------|----------------|-------------|



540



879BB - Medium Scale for up to 50 watt

27BB - Hanging or Pier for up to 50 watt ballasts



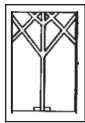
○ R3"

□ S4"

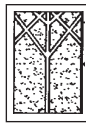
○ R4"

SIZES

LENSES



CA
Clear
Acrylic



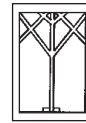
CSA
Clear
Seeded
Acrylic



CTA
Clear
Textured
Acrylic



PA
Prismatic
Acrylic

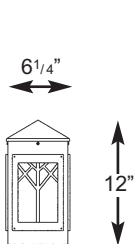


WA
White
Acrylic

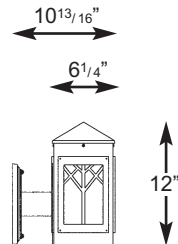


AGB
Art Glass
Brown
Marble

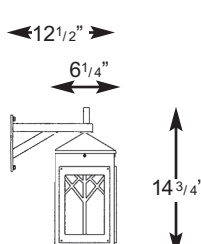
POST MOUNT, WALL BRACKETS & PIER MOUNT



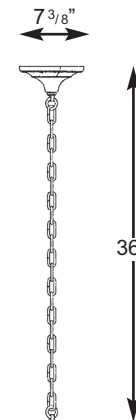
540WB



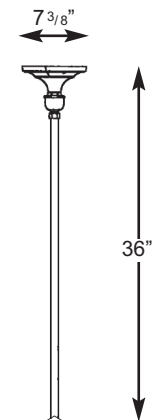
540/66WB



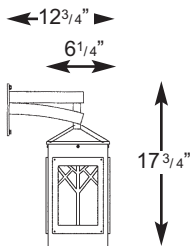
540/HMA3



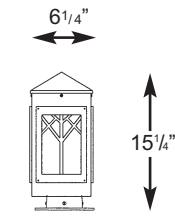
540HCH27



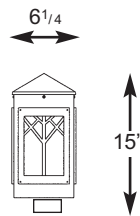
540HSH27



540/TPS3



540/PB



540PT

NOTE: 50 watt MH electronic ballast only

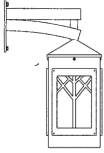
BUILDING A PART NUMBER

POST & ARM FIXTURES



| ARM MOUNTED FIXTURE | CENTER POST TOP FIXTURE (PT) | POST | POST CAP | LIGHT SOURCE BALLAST | OPTICS | OPTIONS | LENS | FINISH |
|---------------------|------------------------------|--------------|--------------------|----------------------|--------|---------|------|--------|
| NO. OF ARMS | FIXTURE / POSTARM | FIXT./FITTER | (See Post Section) | WATTS / TYPE / VOLTS | | | | |
| 1 | 540/S4 | 4SQX | | 50MHP120 | | | WA | BKT |

WALL FIXTURES



| FIXTURE / WALL BRACKET | LIGHT SOURCE BALLAST | OPTICS | OPTIONS | LENS | FINISH |
|------------------------|----------------------|--------|-----------|------|--------|
| WATTS / TYPE / VOLTS | | | | | |
| 540/TPS3 | 50MHP120 | | MHP50/MED | WA | BKT |

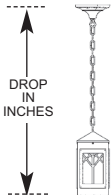


PIER FIXTURES
Uses same information boxes as wall fixture

540/P28B

FIXTURE / PIER BASE

HANGING FIXTURES



| FIXTURE / HANGING BRACKET | OVERALL DROP IN INCHES | LIGHT SOURCE BALLAST | OPTICS | OPTIONS | LENS | FINISH |
|---------------------------|------------------------|----------------------|--------|-----------|------|--------|
| WATTS / TYPE / VOLTS | | | | | | |
| 540H/CH27 | 36 INCHES | 50 MHP120 | FMC | MHP50/MED | CA | BKT |

PART NUMBER SELECTIONS

| | | | | | | |
|---|--|--|---|---|---|---|
| FIXTURES <ul style="list-style-type: none"> • 540 | LENSES <ul style="list-style-type: none"> • CA • CSA | WALL BRACKET ARMS <ul style="list-style-type: none"> • 66WB • HMA3WB • TPS3WB | LAMPS⁴ <ul style="list-style-type: none"> • HPS35/MED • HPS50/MED • MHP50/MED • PLT26 • PLT32 • PLT42 • PLT57 | BALLASTS^{3,4} <ul style="list-style-type: none"> • 35HPS¹ • 50HPS • 50MHP • 26PLT • 32PLT • 42PLT • 57PLT • INCAND (60 watt max.) | BB - BALLAST BOX <ul style="list-style-type: none"> • 879BB - Medium Scale for up to 50 watt ballasts • 27BB - Hanging or Pier for up to 50 watt ballasts | STANDARD FINISHES* <ul style="list-style-type: none"> • BKT Black Textured • WHT White Textured • PGT Park Green Textured • ABZT Architectural Medium Bronze Textured • DBT Dark Bronze Textured |
| OPTICS <ul style="list-style-type: none"> • HSS • MED • PL | <ul style="list-style-type: none"> • CTA • PA • WA • AGB | HANGING BRACKETS <ul style="list-style-type: none"> • CH27 • SH27 | | | | <small>*Smooth Finishes are available upon request</small> |
| FITTERS <ul style="list-style-type: none"> • R3 • S4 • R4 | POST ARMS <ul style="list-style-type: none"> • 66PM • HMA3PM • TPS3PM | PIER BASE <ul style="list-style-type: none"> • P28B | | | | CUSTOM FINISHES <ul style="list-style-type: none"> • OI Old Iron • RT Rust • WBR Weathered Brown • CD Cedar • WBK Weathered Black • TT Two Tone |

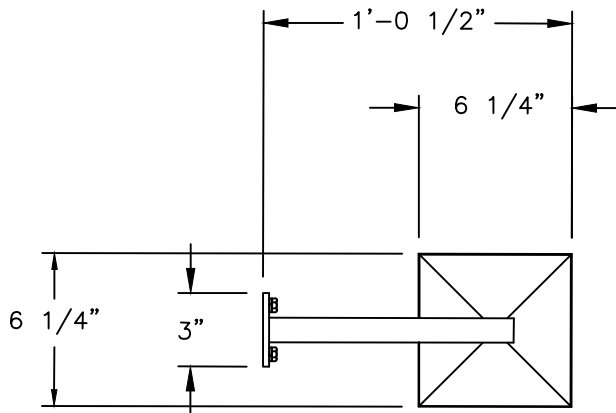
OPTIONS

- PEC1-E Photocell-Electronic 120-277 Volt
- FHS Single Fuse and Holder -120,277 Volt
- LAMPS Select from List

NOTES:

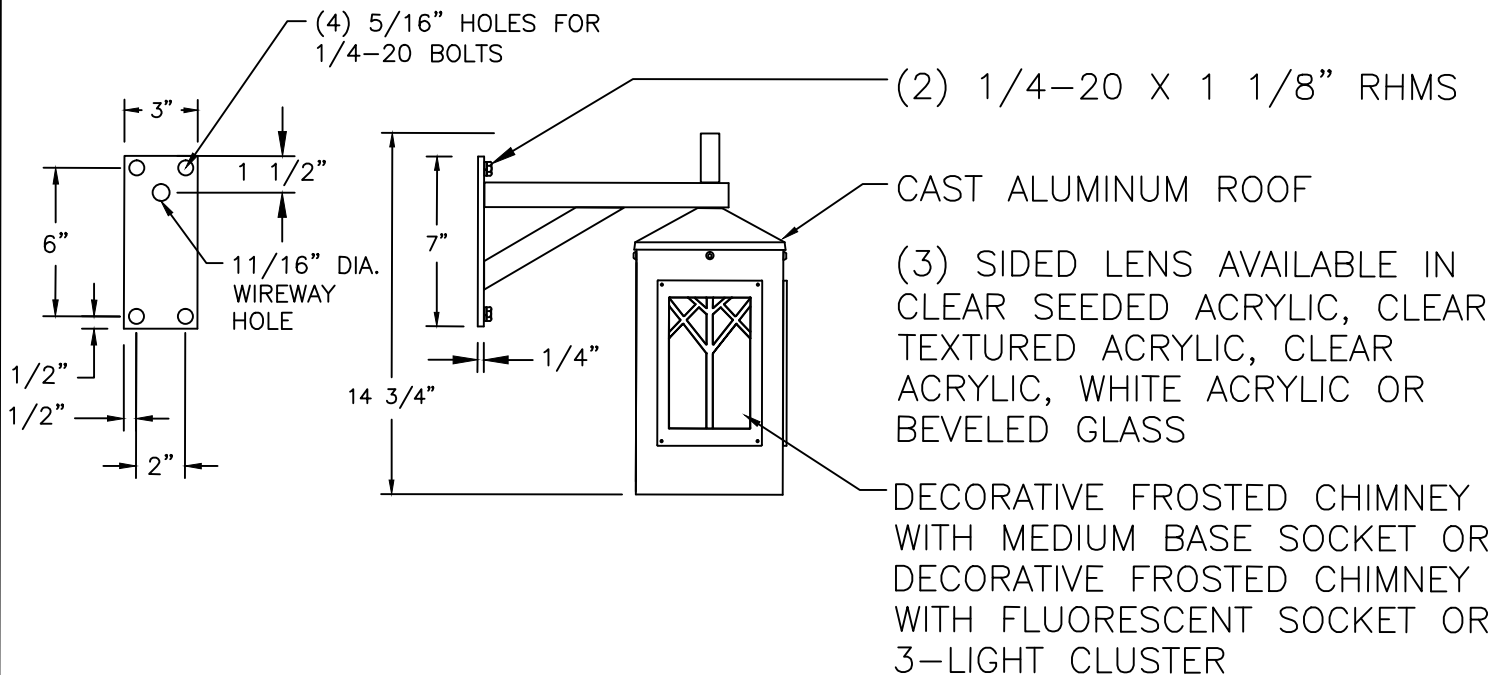
- ¹ 35HPS is 120 volt only.
- ² MED base only when used to house lamp.
- ³ Medium base sockets standard with ballasts up to 50 watts for HID. 4-pin for PL.
- ⁴ Metal halide systems are pulse start.

540/HMA3 PARAGON RESIDENTIAL SERIES



ALL ELECTRICAL COMPONENTS ARE U.L. OR E.T.L. LISTED IN USA AND CANADA.

FIXTURE WILL BE PREWIRED AND TESTED.



540/HMA3

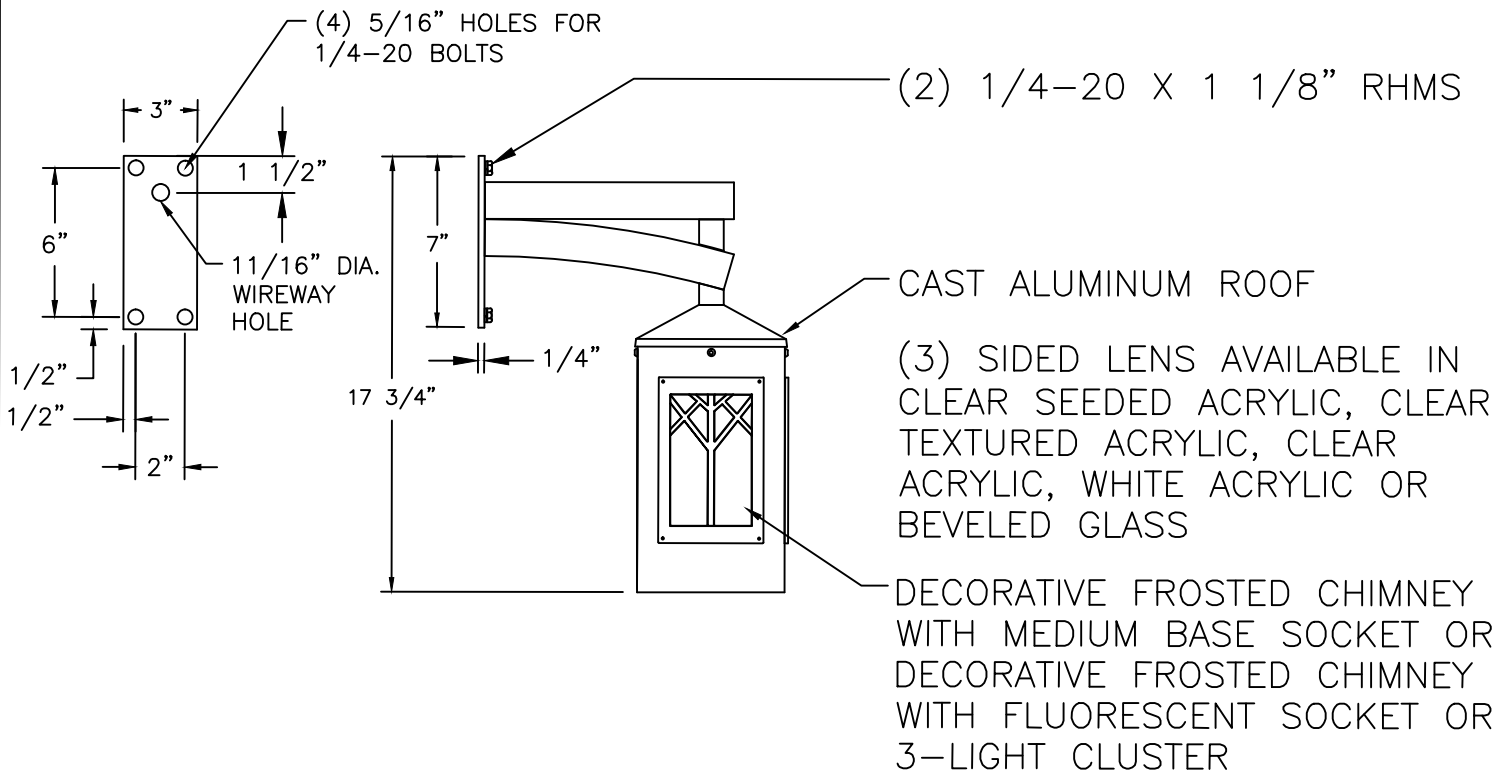
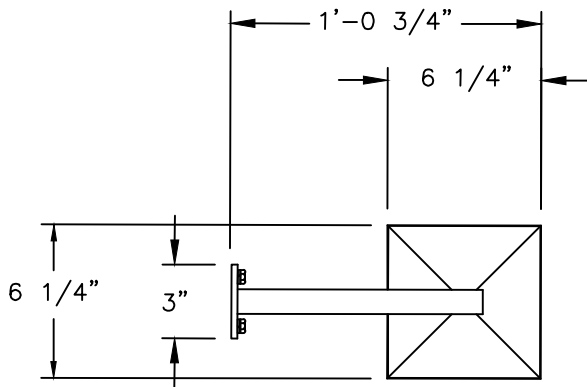
3/16"=1'

DRAWN LMG
DRAWN DATE NOV 30 2011
DRAWING NUMBER

540/TPS3 PARAGON RESIDENTIAL SERIES

ALL ELECTRICAL COMPONENTS ARE U.L. OR E.T.L. LISTED IN USA AND CANADA.

FIXTURE WILL BE PREWIRED AND TESTED.

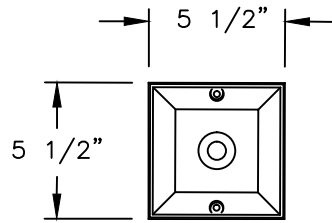


540/TPS3

| | |
|----------------|-------------|
| DRAWN | LMG |
| DRAWN DATE | NOV 14 2011 |
| DRAWING NUMBER | |

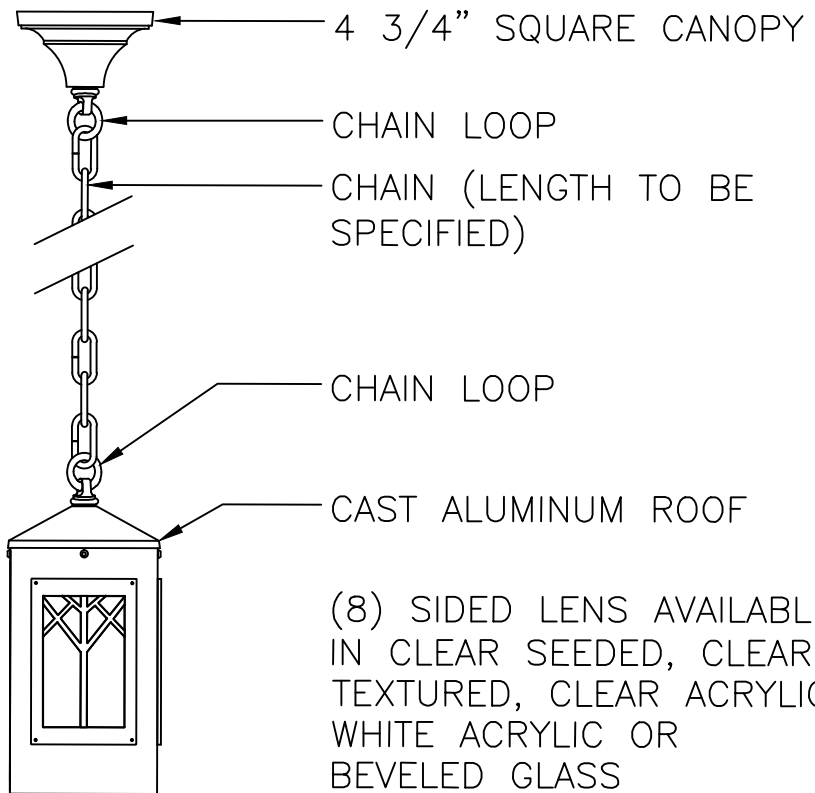
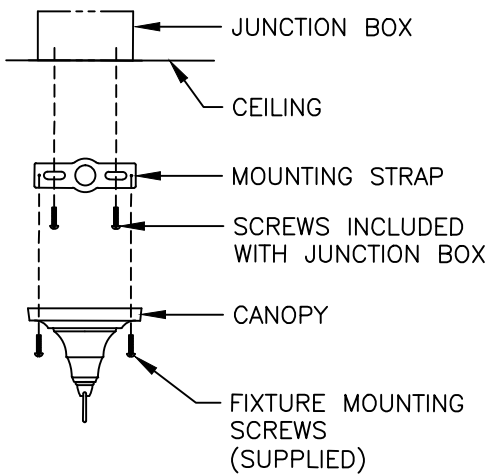
3/16"=1'

540HCH27 PARAGON RESIDENTIAL SERIES

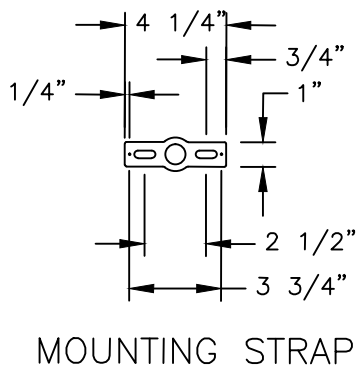


ALL ELECTRICAL COMPONENTS ARE U.L. OR E.T.L. LISTED IN USA AND CANADA.

FIXTURE WILL BE PREWIRED AND TESTED.



(8) SIDED LENS AVAILABLE IN CLEAR SEEDED, CLEAR TEXTURED, CLEAR ACRYLIC, WHITE ACRYLIC OR BEVELED GLASS



DECORATIVE FROSTED CHIMNEY WITH MEDIUM BASE SOCKET OR DECORATIVE FROSTED CHIMNEY WITH FLUORESCENT SOCKET OR 3-LIGHT CLUSTER

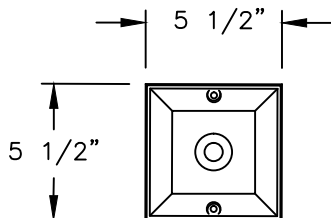


540HCH27

DRAWN LMG
 DRAWN DATE NOV 29 2011
 DRAWING NUMBER

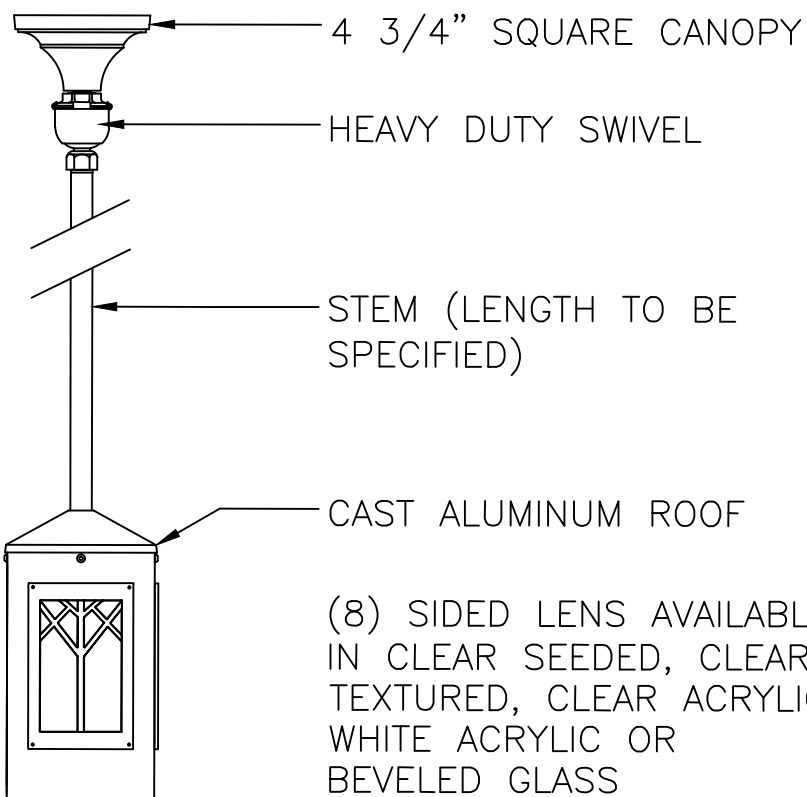
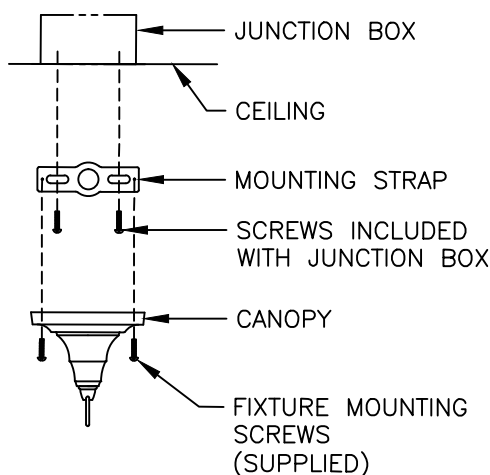
3/16"=1'

540HSH27 PARAGON RESIDENTIAL SERIES



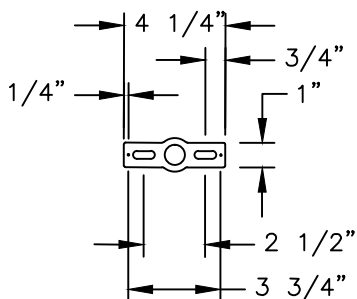
ALL ELECTRICAL COMPONENTS ARE U.L. OR E.T.L. LISTED IN USA AND CANADA.

FIXTURE WILL BE PREWIRED AND TESTED.



(8) SIDED LENS AVAILABLE IN CLEAR SEEDED, CLEAR TEXTURED, CLEAR ACRYLIC, WHITE ACRYLIC OR BEVELED GLASS

DECORATIVE FROSTED CHIMNEY WITH MEDIUM BASE SOCKET OR DECORATIVE FROSTED CHIMNEY WITH FLUORESCENT SOCKET OR 3-LIGHT CLUSTER



MOUNTING STRAP

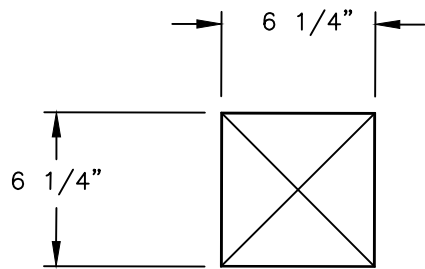


540HSH27

DRAWN LMG
DRAWN DATE NOV 29 2011
DRAWING NUMBER

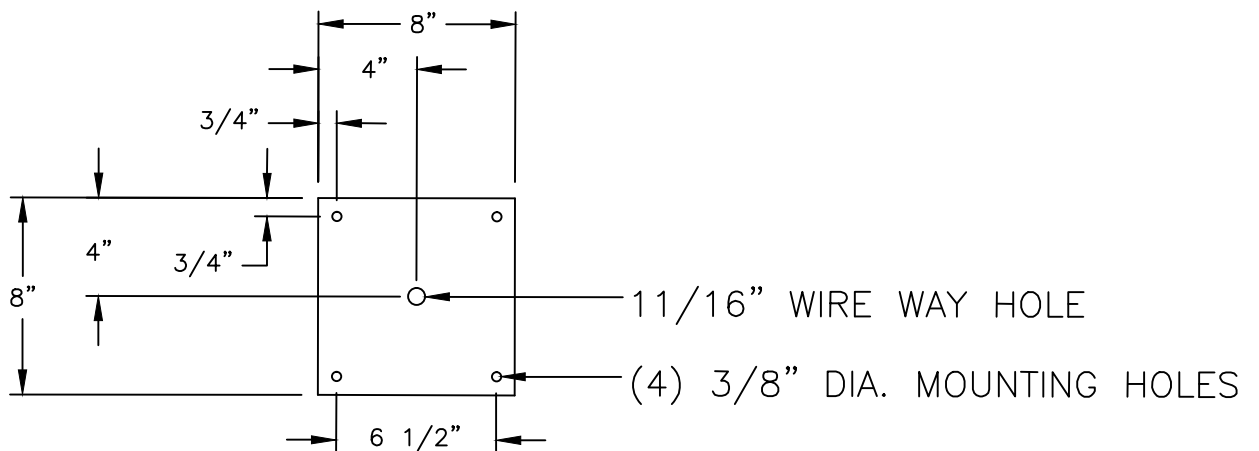
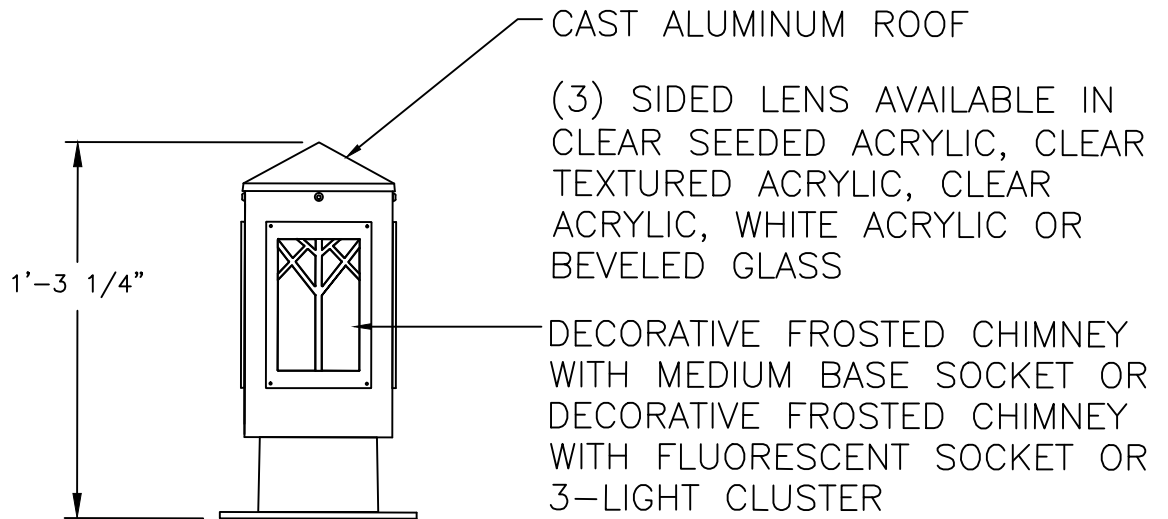
3/16"=1'

540/PB PARAGON RESIDENTIAL SERIES



ALL ELECTRICAL COMPONENTS ARE U.L. OR E.T.L. LISTED IN USA AND CANADA.

FIXTURE WILL BE PREWIRED AND TESTED.



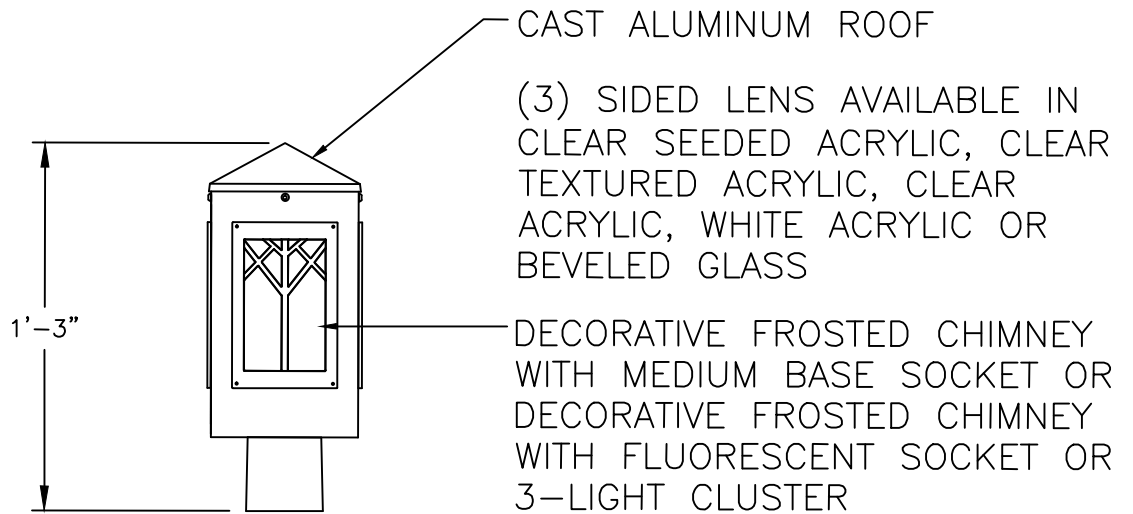
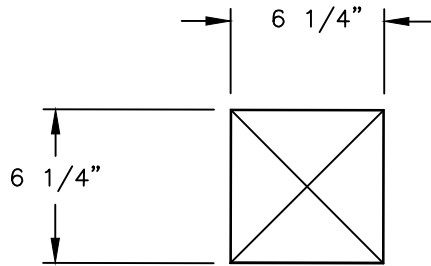
540/PB

| | | |
|----------|------------|----------------|
| 3/16"=1' | DRAWN | LMG |
| | DRAWN DATE | DEC 8 2011 |
| | | DRAWING NUMBER |

540PT PARAGON RESIDENTIAL SERIES

ALL ELECTRICAL COMPONENTS ARE U.L. OR E.T.L. LISTED IN USA AND CANADA.

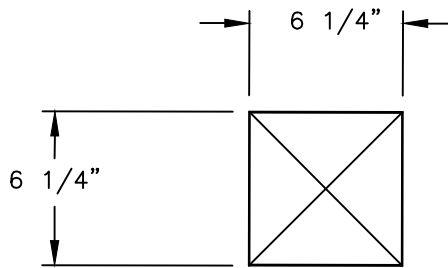
FIXTURE WILL BE PREWIRED AND TESTED.



540PT

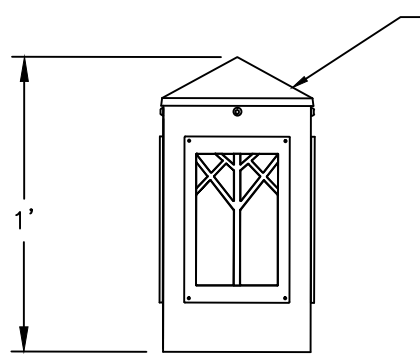
| | |
|------------|----------------|
| DRAWN | LMG |
| DRAWN DATE | DEC 8 2011 |
| 3/16"=1' | DRAWING NUMBER |

540WB PARAGON RESIDENTIAL SERIES



ALL ELECTRICAL COMPONENTS ARE U.L. OR E.T.L. LISTED IN USA AND CANADA.

FIXTURE WILL BE PREWIRED AND TESTED.



CAST ALUMINUM ROOF

(3) SIDED LENS AVAILABLE IN CLEAR SEEDED ACRYLIC, CLEAR TEXTURED ACRYLIC, CLEAR ACRYLIC, WHITE ACRYLIC OR BEVELED GLASS

DECORATIVE FROSTED CHIMNEY WITH MEDIUM BASE SOCKET OR DECORATIVE FROSTED CHIMNEY WITH FLUORESCENT SOCKET OR 3-LIGHT CLUSTER

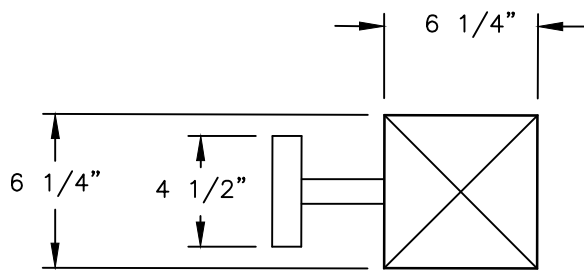


540/66WB

3/16"=1'

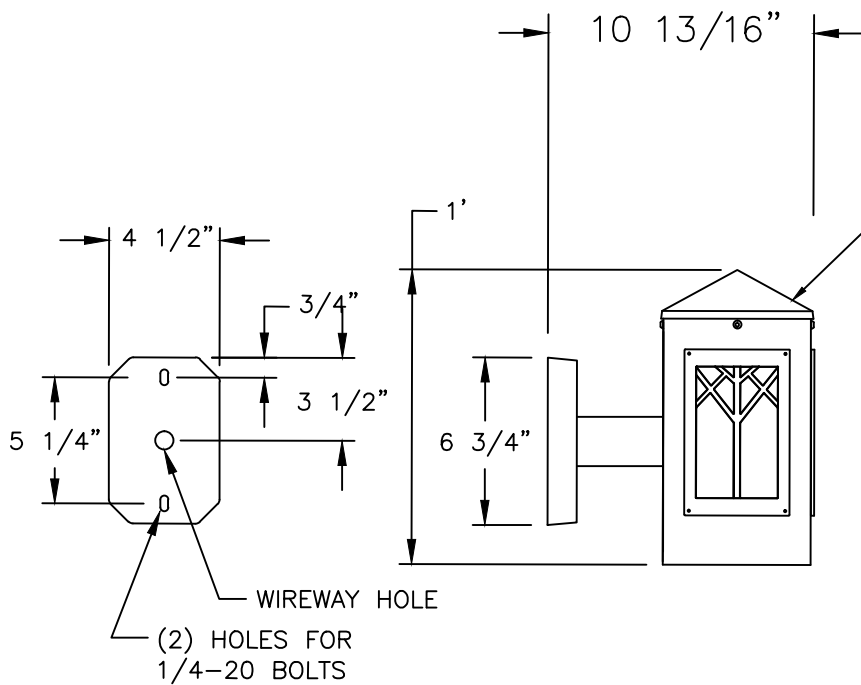
DRAWN LMG
 DRAWN DATE DEC 6 2011
 DRAWING NUMBER

540/66WB PARAGON RESIDENTIAL SERIES



ALL ELECTRICAL COMPONENTS ARE U.L. OR E.T.L. LISTED IN USA AND CANADA.

FIXTURE WILL BE PREWIRED AND TESTED.



CAST ALUMINUM ROOF

(3) SIDED LENS AVAILABLE IN CLEAR SEEDED ACRYLIC, CLEAR TEXTURED ACRYLIC, CLEAR ACRYLIC, WHITE ACRYLIC OR BEVELED GLASS

DECORATIVE FROSTED CHIMNEY WITH MEDIUM BASE SOCKET OR DECORATIVE FROSTED CHIMNEY WITH FLUORESCENT SOCKET OR 3-LIGHT CLUSTER



540/66WB

| | |
|------------|----------------|
| DRAWN | LMG |
| DRAWN DATE | DEC 6 2011 |
| 3/16"=1' | DRAWING NUMBER |