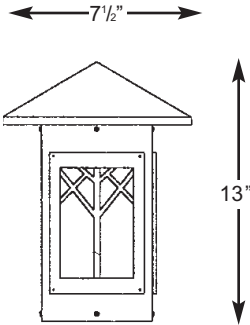


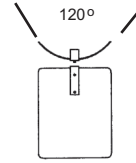







530 PRAIRIE RESIDENTIAL SERIES

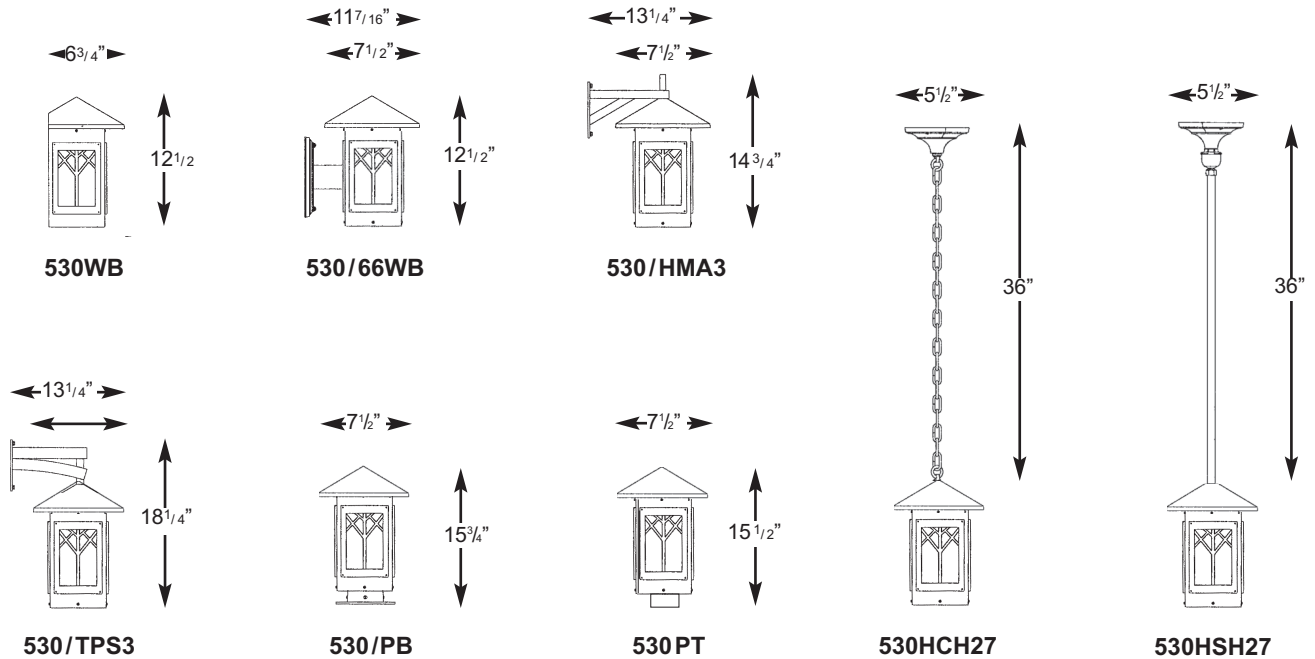
SPECIFICATIONS

FIXTURE	SOCKET TYPE	OPTICAL SYSTEMS	BB BALLAST BOX	POST FITTER
 <p>530</p>	 <p>MED Single Medium Base Socket</p>	 <p>PL Compact Fluorescent</p>	 <p>HSS House Side Shield</p>	<p>879BB - Medium Scale for up to 50 watt</p>  <p>27BB - Hanging or Pier for up to 50 watt ballasts</p>  <p>SIZES</p> <ul style="list-style-type: none">  R3"  S4"  R4"

LENSES



POST MOUNT, WALL BRACKETS & PIER MOUNT



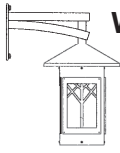
NOTE: 50 watt MH electronic ballast only

BUILDING A PART NUMBER



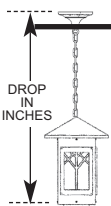
POST & ARM FIXTURES

ARM MOUNTED FIXTURE	CENTER POST TOP FIXTURE (PT)	POST	POST CAP	LIGHT SOURCE BALLAST	OPTICS	OPTIONS	LENS	FINISH
NO. OF ARMS	FIXTURE / POSTARM FIXT./FITTER	(See Post Section)		WATTS / TYPE / VOLTS				
	530 / S4	4SQX		50 MHP120			WA	BK



WALL FIXTURES

FIXTURE / WALL BRACKET	LIGHT SOURCE BALLAST WATTS / TYPE / VOLTS	OPTICS	OPTIONS	LENS	FINISH
530 / TPS3	50 MHP120		MHP50 / MED	WA	BK



HANGING FIXTURES

FIXTURE / HANGING BRACKET	OVERALL DROP IN INCHES	LIGHT SOURCE BALLAST WATTS / TYPE / VOLTS	OPTICS	OPTIONS	LENS	FINISH
530H / CH27	36 INCHES	50 MHP120	MED	MHP50 / MED	CA	BK

PART NUMBER SELECTIONS

FIXTURES

- 530

OPTICS

- HSS
- MED
- PL

FITTERS

- R3
- S4
- R4

LENSES

- CA
- CSA
- CTA
- PA
- WA
- AGB

POST ARMS

- 66PM
- HMA3PM
- TPS3PM

WALL

BRACKET ARMS

- 66WB
- HMA3WB
- TPS3WB

HANGING BRACKETS

- CH27
- SH27

PIER BASE

- PB

LAMPS⁴

- HPS35/MED
- HPS50/MED
- MHP50/MED
- PLT26
- PLT32
- PLT42
- PLT57

BALLASTS^{3,4}

- 35HPS¹
- 50HPS
- 50MHP
- 26PLT
- 32PLT
- 42PLT
- 57PLT
- INCAND
(60 watt max.)

BB - BALLAST BOX

- 879BB - Medium Scale for up to 50 watt ballasts
- 27BB - Hanging or Pier for up to 50 watt ballasts

STANDARD FINISHES*

- BKT Black Textured
- WHT White Textured
- PGT Park Green Textured
- ABZT Architectural Medium Bronze Textured
- DBT Dark Bronze Textured

*Smooth Finishes are available upon request

CUSTOM FINISHES

- OI Old Iron
- RT Rust
- WBR Weathered Brown
- CD Cedar
- WBK Weathered Black
- TT Two Tone

OPTIONS

- PEC1-E Photocell-Electronic 120 Volt
- FHS Single Fuse and Holder-120, 277 Volt
- LAMPS Select from List

NOTES:

- ¹ 35HPS is 120 volt only.
- ² MED base only when used to house lamp.
- ³ Medium base sockets standard with ballasts up to 50 watts for HID. 4-pin for PL.
- ⁴ Metal halide systems are pulse start.

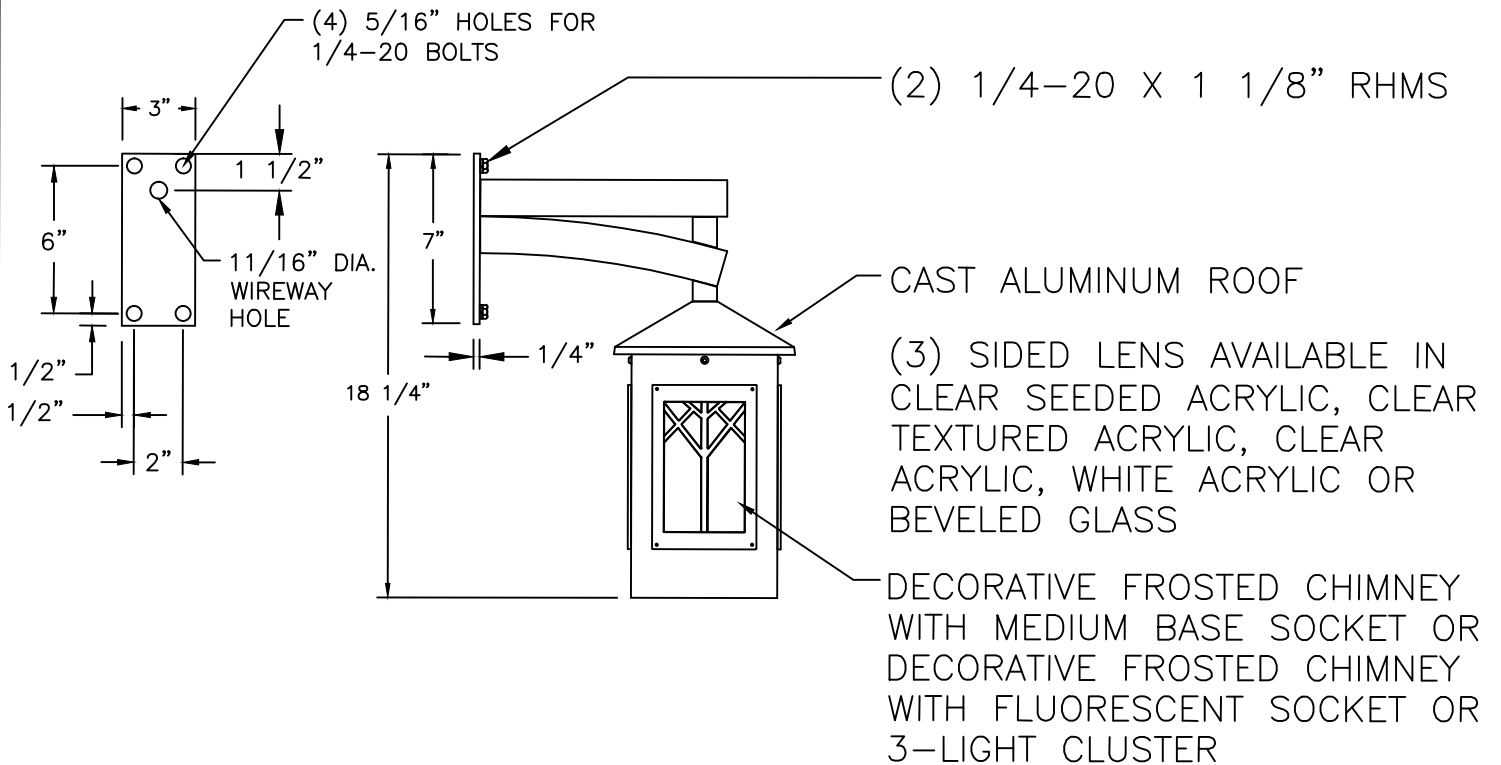
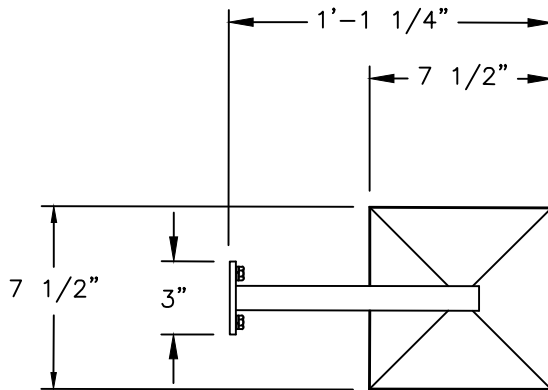
STERNBERG SELECT FINISHES

- VG Verde Green
- SI Swedish Iron
- OWGT Old World Gray Textured

530/TPS3 PRAIRIE RESIDENTIAL SERIES

ALL ELECTRICAL COMPONENTS ARE U.L. OR E.T.L. LISTED IN USA AND CANADA.

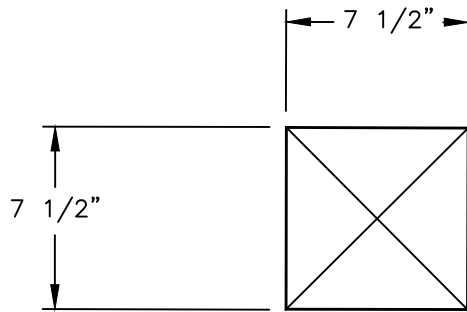
FIXTURE WILL BE PREWIRED AND TESTED.



530/TPS3

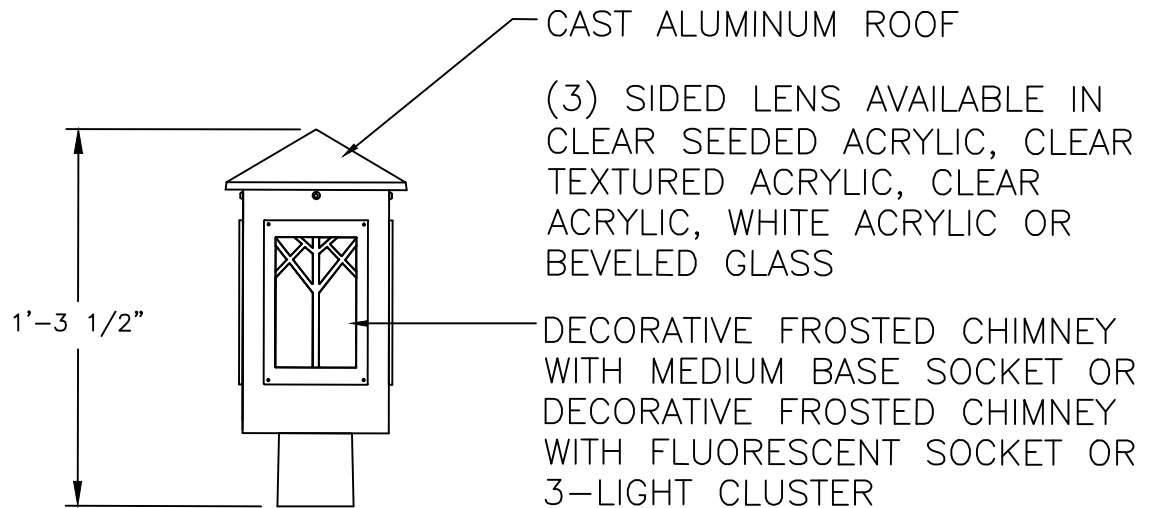
3/16"=1'	DRAWN	LMG
	DRAWN DATE	NOV 14 2011
		DRAWING NUMBER

530PT PRAIRIE RESIDENTIAL SERIES



ALL ELECTRICAL COMPONENTS ARE U.L. OR E.T.L. LISTED IN USA AND CANADA.

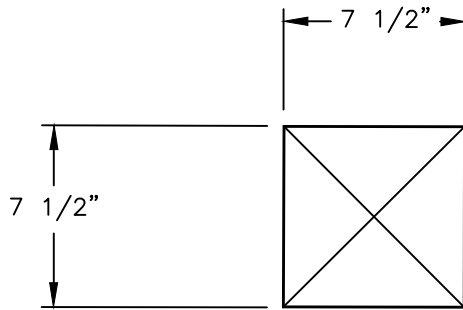
FIXTURE WILL BE PREWIRED AND TESTED.



530PT

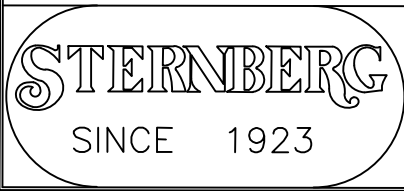
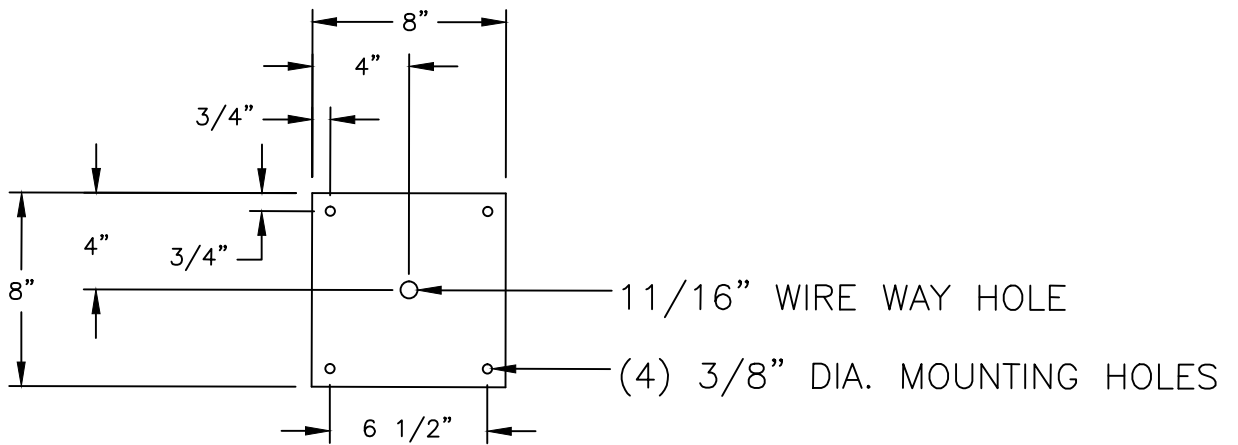
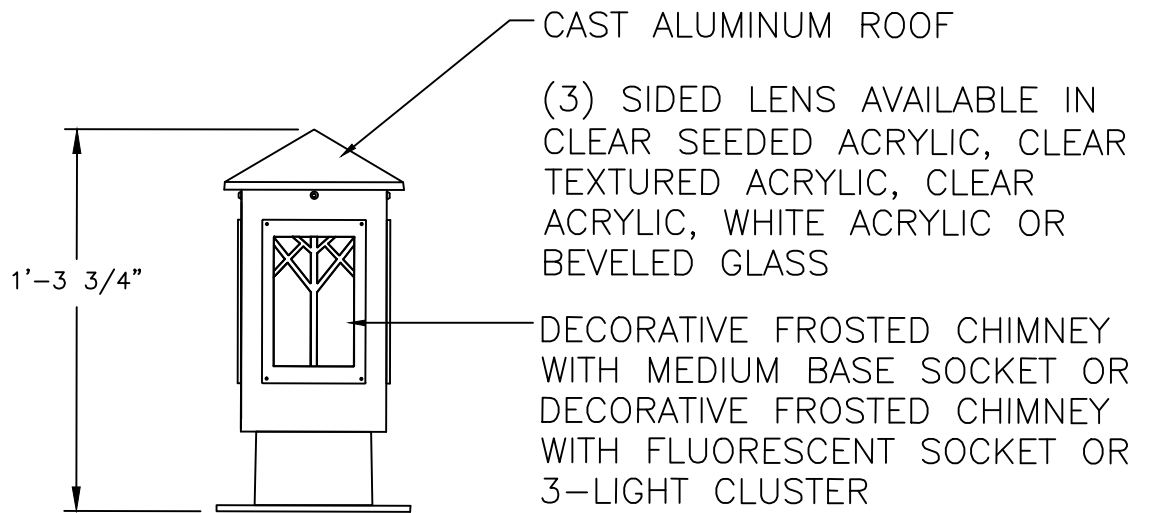
3/16"=1'	DRAWN LMG
	DRAWN DATE DEC 8 2011
	DRAWING NUMBER

530/PB PRAIRIE RESIDENTIAL SERIES



ALL ELECTRICAL COMPONENTS ARE U.L. OR E.T.L. LISTED IN USA AND CANADA.

FIXTURE WILL BE PREWIRED AND TESTED.

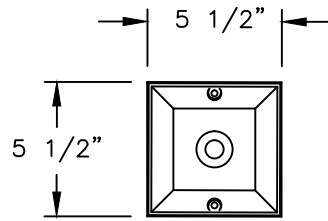


530/PB

3/16"=1'

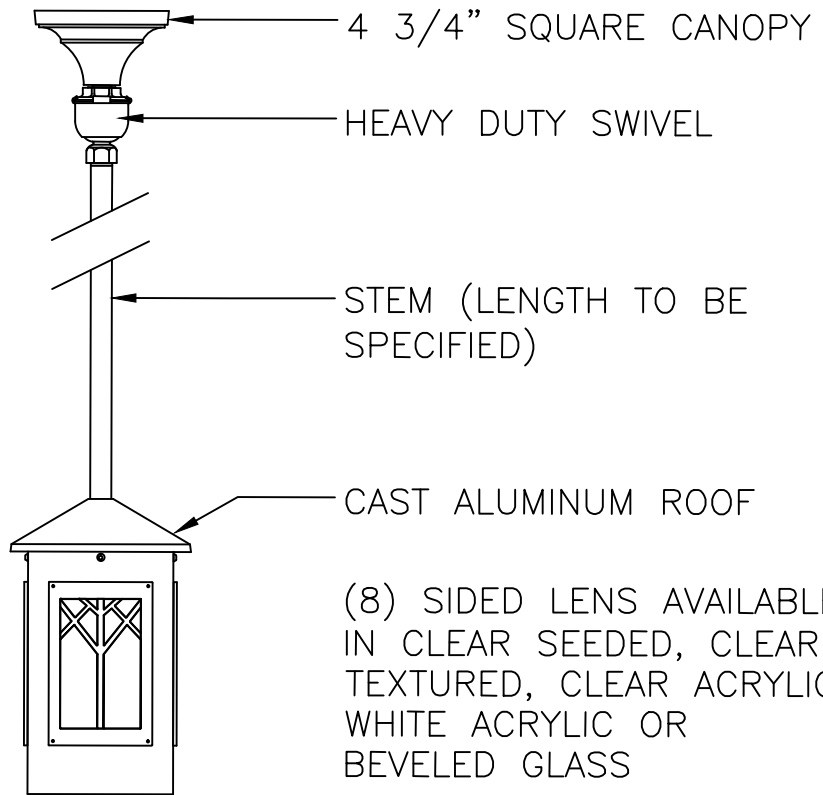
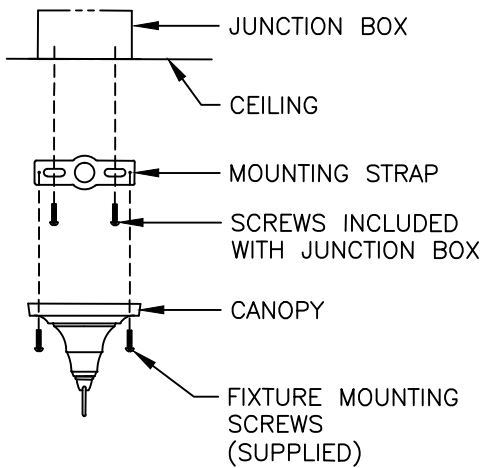
DRAWN LMG
DRAWN DATE DEC 8 2011
DRAWING NUMBER

530HSH27 PRAIRIE RESIDENTIAL SERIES



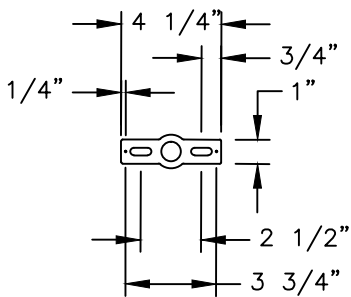
ALL ELECTRICAL COMPONENTS ARE U.L. OR E.T.L. LISTED IN USA AND CANADA.

FIXTURE WILL BE PREWIRED AND TESTED.



(8) SIDED LENS AVAILABLE IN CLEAR SEEDED, CLEAR TEXTURED, CLEAR ACRYLIC, WHITE ACRYLIC OR BEVELED GLASS

DECORATIVE FROSTED CHIMNEY WITH MEDIUM BASE SOCKET OR DECORATIVE FROSTED CHIMNEY WITH FLUORESCENT SOCKET OR 3-LIGHT CLUSTER



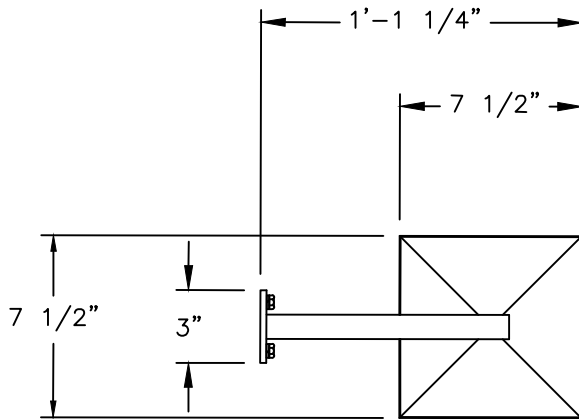
MOUNTING STRAP



530HSH27

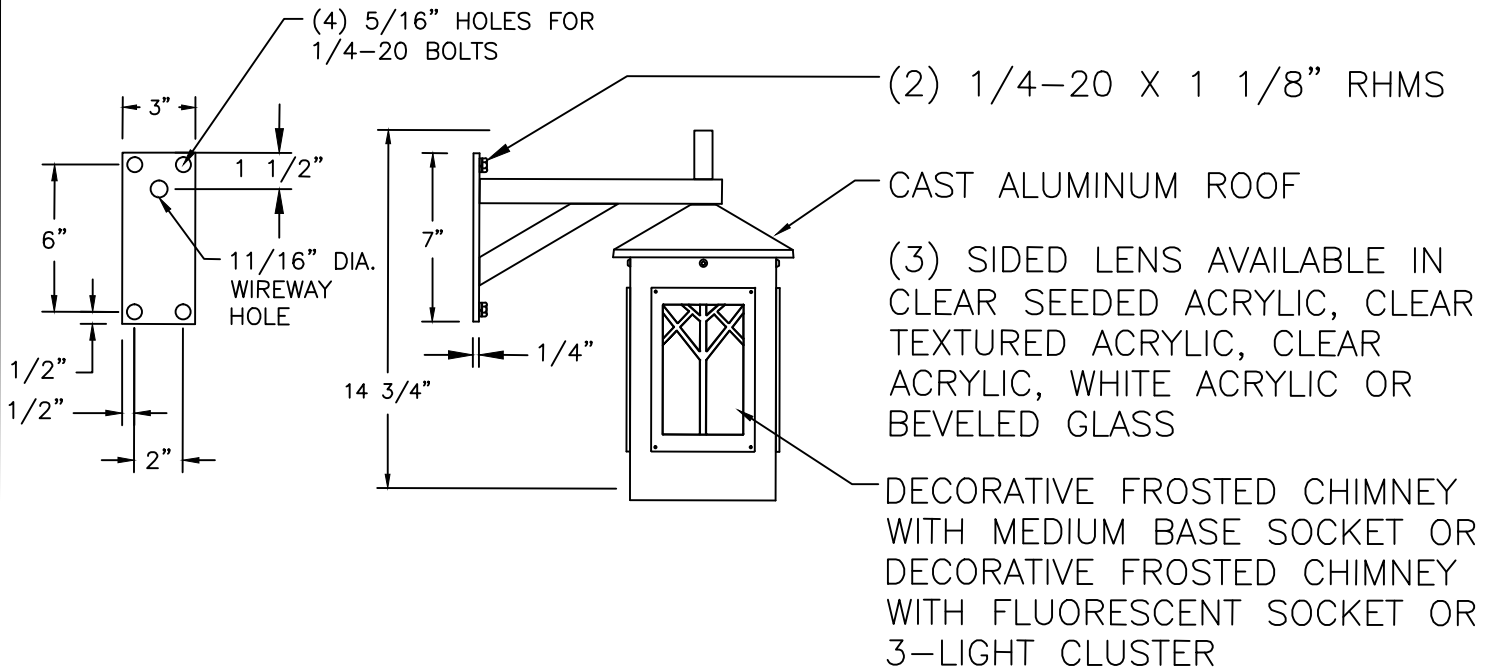
3/16"=1'	DRAWN	LMG
	DRAWN DATE	NOV 29 2011
		DRAWING NUMBER

530/HMA3 PRAIRIE RESIDENTIAL SERIES



ALL ELECTRICAL COMPONENTS ARE U.L. OR E.T.L. LISTED IN USA AND CANADA.

FIXTURE WILL BE PREWIRED AND TESTED.

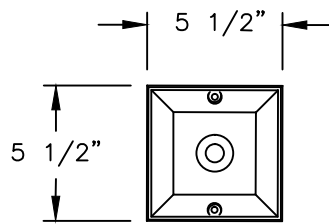


530/HMA3

3/16"=1'

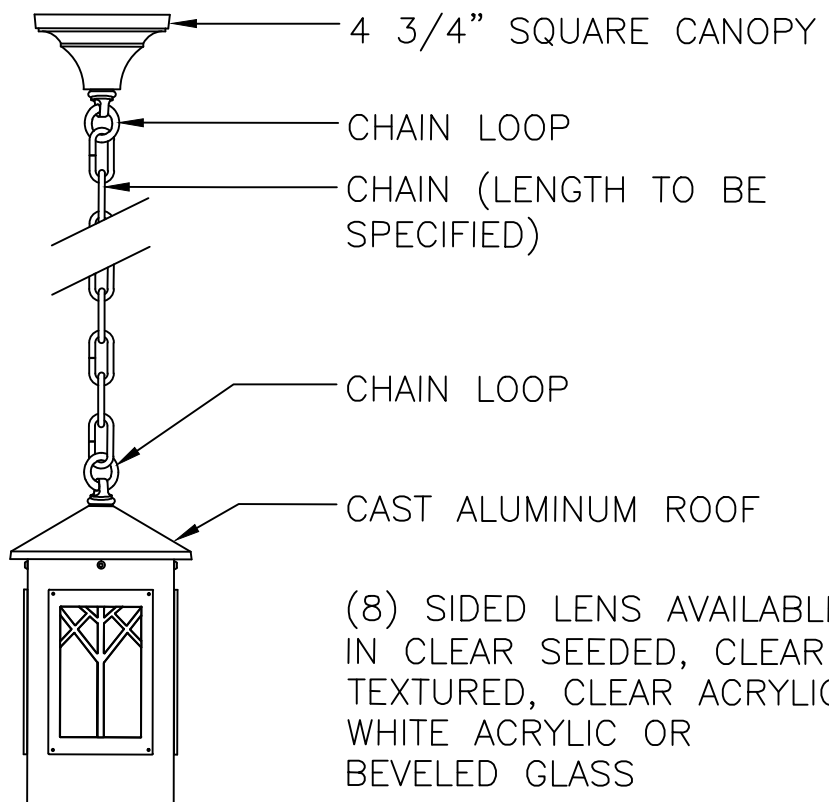
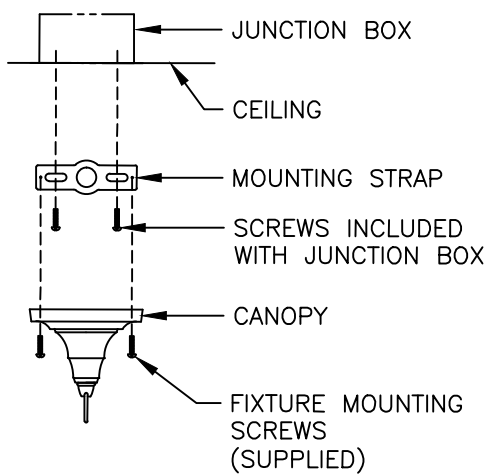
DRAWN LMG
DRAWN DATE NOV 30 2011
DRAWING NUMBER

530HCH27 PRAIRIE RESIDENTIAL SERIES



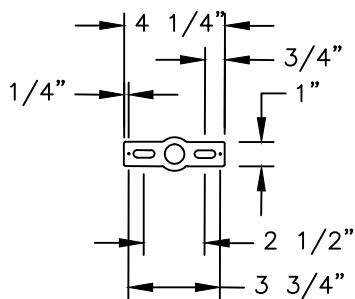
ALL ELECTRICAL COMPONENTS ARE U.L. OR E.T.L. LISTED IN USA AND CANADA.

FIXTURE WILL BE PREWIRED AND TESTED.



(8) SIDED LENS AVAILABLE IN CLEAR SEEDED, CLEAR TEXTURED, CLEAR ACRYLIC, WHITE ACRYLIC OR BEVELED GLASS

DECORATIVE FROSTED CHIMNEY WITH MEDIUM BASE SOCKET OR DECORATIVE FROSTED CHIMNEY WITH FLUORESCENT SOCKET OR 3-LIGHT CLUSTER



MOUNTING STRAP

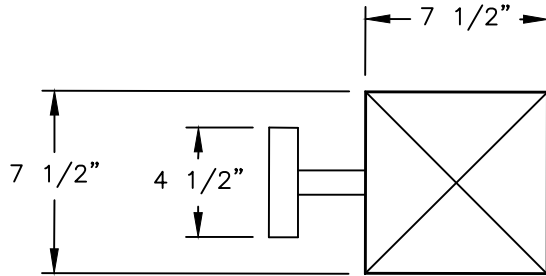


530HCH27

3/16"=1'

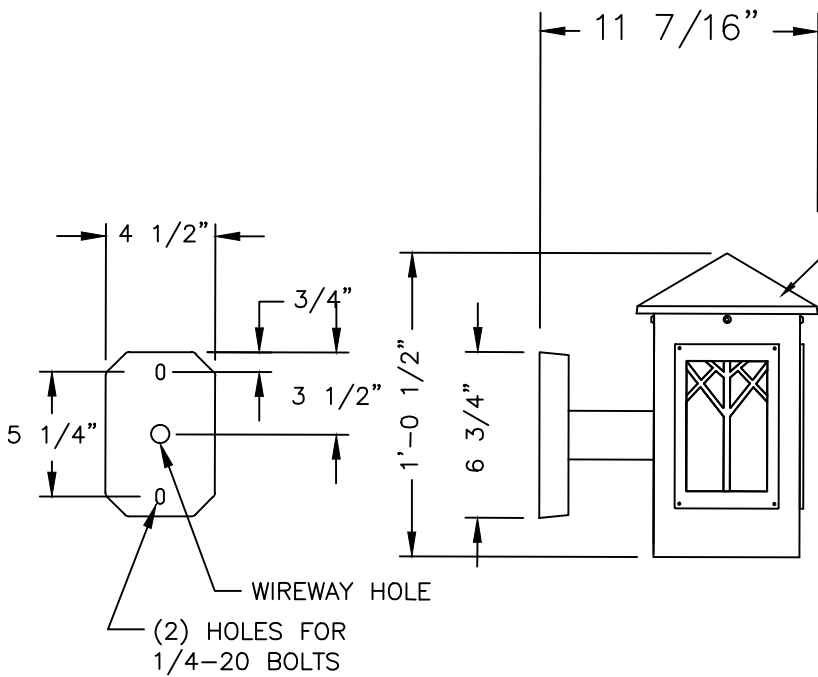
DRAWN LMG
 DRAWN DATE NOV 29 2011
 DRAWING NUMBER

530/66WB PRAIRIE RESIDENTIAL SERIES



ALL ELECTRICAL COMPONENTS ARE U.L. OR E.T.L. LISTED IN USA AND CANADA.

FIXTURE WILL BE PREWIRED AND TESTED.



CAST ALUMINUM ROOF

(3) SIDED LENS AVAILABLE IN CLEAR SEEDED ACRYLIC, CLEAR TEXTURED ACRYLIC, CLEAR ACRYLIC, WHITE ACRYLIC OR BEVELED GLASS

DECORATIVE FROSTED CHIMNEY WITH MEDIUM BASE SOCKET OR DECORATIVE FROSTED CHIMNEY WITH FLUORESCENT SOCKET OR 3-LIGHT CLUSTER

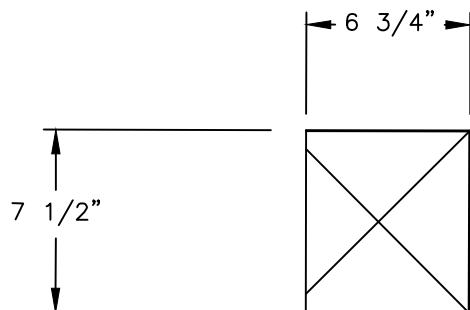


530/66WB

3/16"=1'

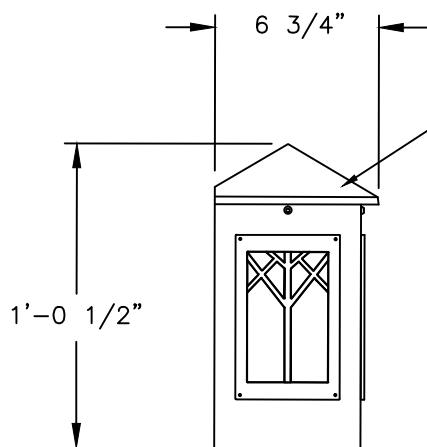
DRAWN LMG
 DRAWN DATE DEC 6 2011
 DRAWING NUMBER

530WB PRAIRIE RESIDENTIAL SERIES



ALL ELECTRICAL COMPONENTS ARE U.L. OR E.T.L. LISTED IN USA AND CANADA.

FIXTURE WILL BE PREWIRED AND TESTED.



CAST ALUMINUM ROOF

(3) SIDED LENS AVAILABLE IN CLEAR SEEDED ACRYLIC, CLEAR TEXTURED ACRYLIC, CLEAR ACRYLIC, WHITE ACRYLIC OR BEVELED GLASS

DECORATIVE FROSTED CHIMNEY WITH MEDIUM BASE SOCKET OR DECORATIVE FROSTED CHIMNEY WITH FLUORESCENT SOCKET OR 3-LIGHT CLUSTER



530WB

DRAWN	LMG
DRAWN DATE	DEC 6 2011
DRAWING NUMBER	

3/16"=1'