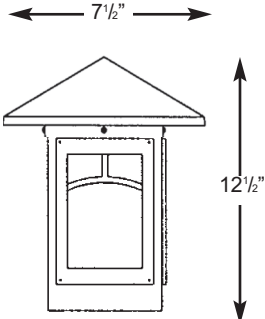


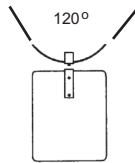
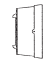






520 TINLEY RESIDENTIAL SERIES

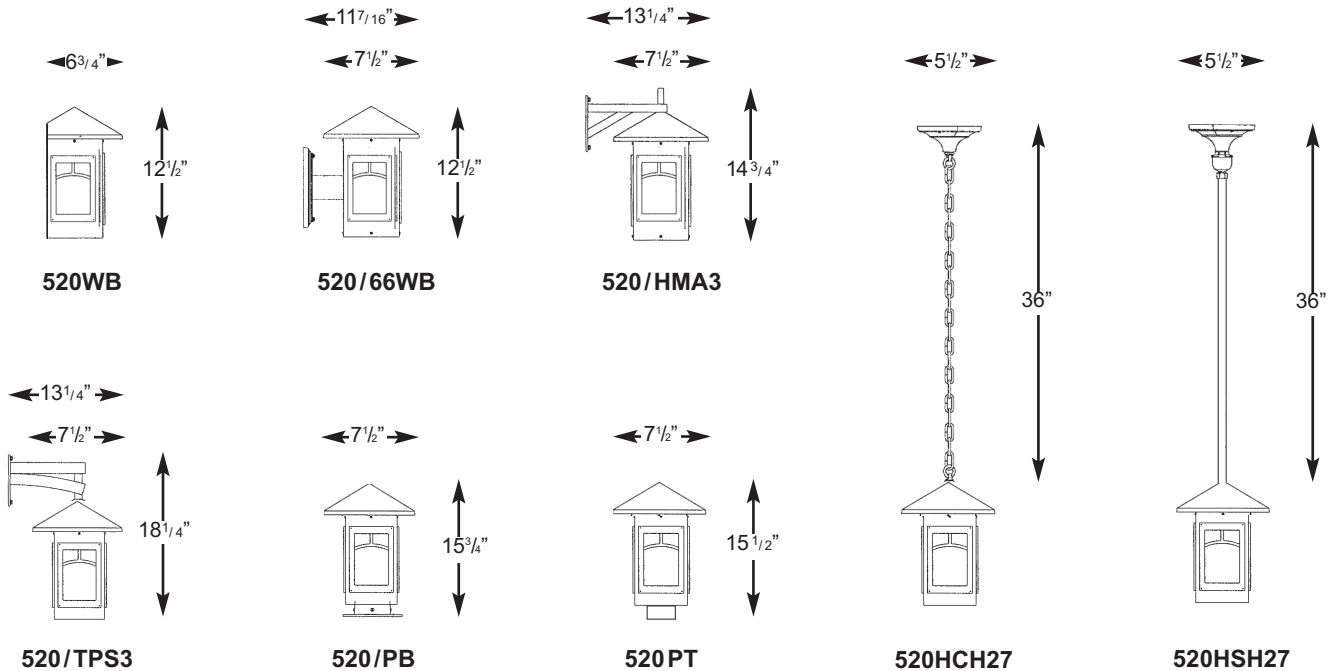
SPECIFICATIONS

FIXTURE	SOCKET TYPE	OPTICAL SYSTEMS	BB BALLAST BOX	POST FITTER
 <p>520</p>	 MED Single Medium Base Socket	 PL Compact Fluorescent	 HSS House Side Shield	879BB - Medium Scale for up to 50 watt  27BB - Hanging or Pier for up to 50 watt ballasts   R3"  S4"  R4" SIZES

LENSES



POST MOUNT, WALL BRACKETS & PIER MOUNT



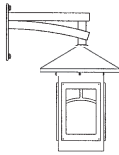
NOTE: 50 watt MH electronic ballast only.

BUILDING A PART NUMBER



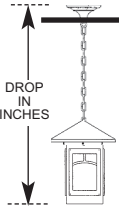
POST & ARM FIXTURES

ARM MOUNTED FIXTURE	CENTER POST TOP FIXTURE (PT)	POST	POST CAP	LIGHT SOURCE BALLAST	OPTICS	OPTIONS	LENS	FINISH	
NO. OF ARMS	FIXTURE / POSTARM	FIXT./FITTER	(See Post Section)	WATTS / TYPE / VOLTS					
□	□	520/S4	4SQX	□	50MHP120	□	□	WA	BKT



WALL FIXTURES

FIXTURE / WALL BRACKET	LIGHT SOURCE BALLAST	OPTICS	OPTIONS	LENS	FINISH
WATTS / TYPE / VOLTS	WATTS / TYPE / VOLTS				
520/TPS3	50MHP120	□	MHP50/MED	WA	BKT



HANGING FIXTURES

FIXTURE / HANGING BRACKET	OVERALL DROP IN INCHES	LIGHT SOURCE BALLAST	OPTICS	OPTIONS	LENS	FINISH
WATTS / TYPE / VOLTS	WATTS / TYPE / VOLTS	WATTS / TYPE / VOLTS				
520H/CH27	36 INCHES	50 MHP120	MED	MHP50/MED	CA	BKT

PART NUMBER SELECTIONS

FIXTURES

- 520

OPTICS

- HSS
- MED
- PL

FITTERS

- R3
- S4
- R4

LENSES

- CA
- CSA
- CTA
- PA
- WA
- AGB

POST ARMS

- 66PM
- HMA3PM
- TPS3PM

WALL BRACKET ARMS

- 66WB
- HMA3WB
- TPS3WB

HANGING BRACKETS

- CH27
- SH27

PIER BASE

- P28B

LAMPS⁴

- HPS35/MED
- HPS50/MED
- MHP50/MED
- PLT26
- PLT32
- PLT42
- PLT57

BALLASTS^{3,4}

- 35HPS¹
- 50HPS
- 50MHP
- 26PLT
- 32PLT
- 42PLT
- 57PLT
- INCAND (60 watt max.)

BB - BALLAST BOX

- 879BB - Medium Scale for up to 50 watt ballasts
- 27BB - Hanging or Pier for up to 50 watt ballasts

STANDARD FINISHES*

- BKT Black Textured
- WHT White Textured
- PGT Park Green Textured
- ABZT Architectural Medium Bronze Textured
- DBT Dark Bronze Textured

*Smooth Finishes are available upon request

CUSTOM FINISHES

- OI Old Iron
- RT Rust
- WBR Weathered Brown
- CD Cedar
- WBK Weathered Black
- TT Two Tone

STERNBERG SELECT FINISHES

- VG Verde Green
- SI Swedish Iron
- OWGT Old World Gray Textured

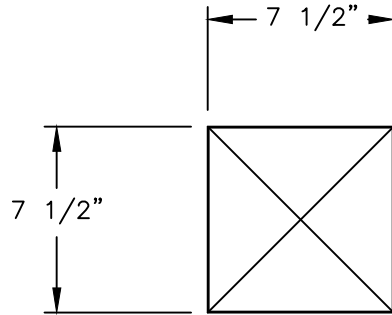
OPTIONS

- PEC1-E Photocell-Electronic 120-277 Volt
- FHS Single Fuse and Holder-120,277 Volt
- LAMPS Select from List

NOTES:

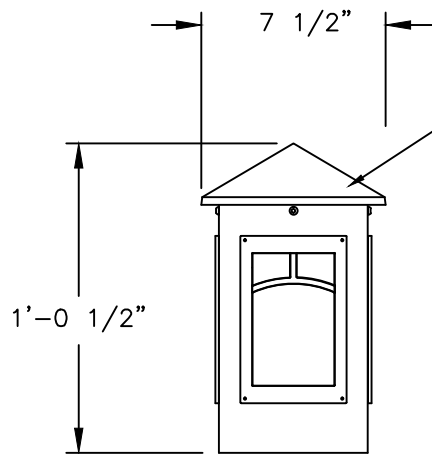
- ¹35HPS is 120 volt only.
- ²MED base only when used to house lamp.
- ³Medium base sockets standard with ballasts up to 50 watts for HID. 4-pin for PL.
- ⁴Metal halide systems are pulse start.

520 TINLEY RESIDENTIAL SERIES



ALL ELECTRICAL COMPONENTS ARE U.L. OR E.T.L. LISTED IN USA AND CANADA.

FIXTURE WILL BE PREWIRED AND TESTED.



CAST ALUMINUM ROOF

(3) SIDED LENS AVAILABLE IN CLEAR SEEDED ACRYLIC, CLEAR TEXTURED ACRYLIC, CLEAR ACRYLIC, WHITE ACRYLIC OR BEVELED GLASS

DECORATIVE FROSTED CHIMNEY WITH MEDIUM BASE SOCKET OR DECORATIVE FROSTED CHIMNEY WITH FLUORESCENT SOCKET OR 3-LIGHT CLUSTER

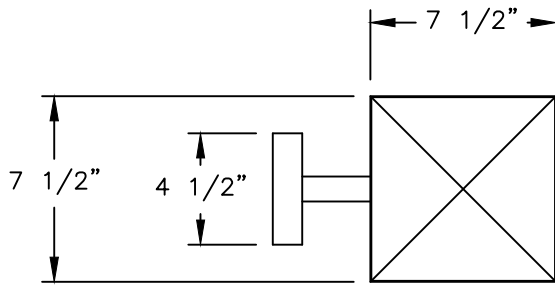


520

3/16"=1'

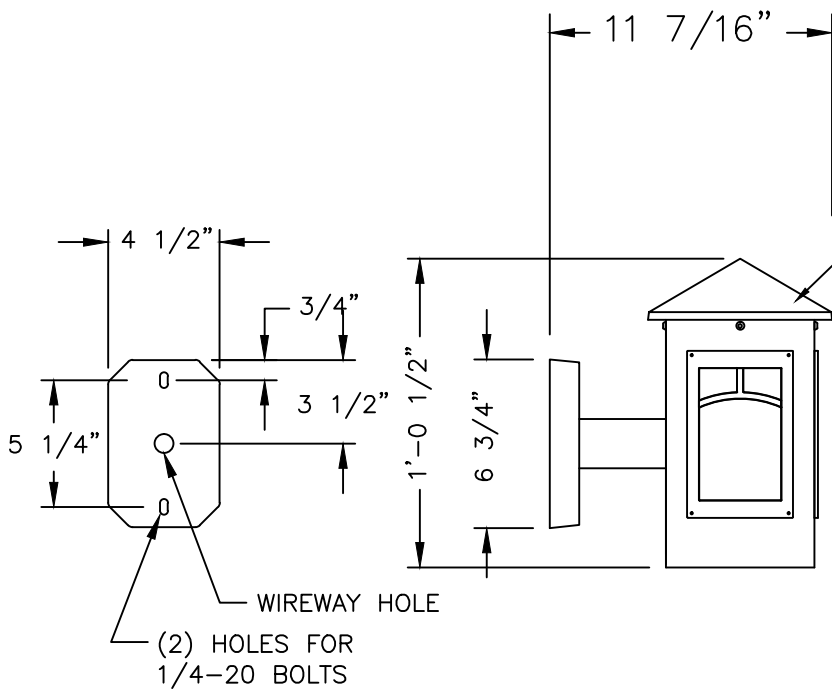
DRAWN LMG
 DRAWN DATE JAN 25 2012
 DRAWING NUMBER

520/66WB TINLEY RESIDENTIAL SERIES



ALL ELECTRICAL COMPONENTS ARE U.L. OR E.T.L. LISTED IN USA AND CANADA.

FIXTURE WILL BE PREWIRED AND TESTED.



CAST ALUMINUM ROOF

(3) SIDED LENS AVAILABLE IN CLEAR SEEDED ACRYLIC, CLEAR TEXTURED ACRYLIC, CLEAR ACRYLIC, WHITE ACRYLIC OR BEVELED GLASS

DECORATIVE FROSTED CHIMNEY WITH MEDIUM BASE SOCKET OR DECORATIVE FROSTED CHIMNEY WITH FLUORESCENT SOCKET OR 3-LIGHT CLUSTER



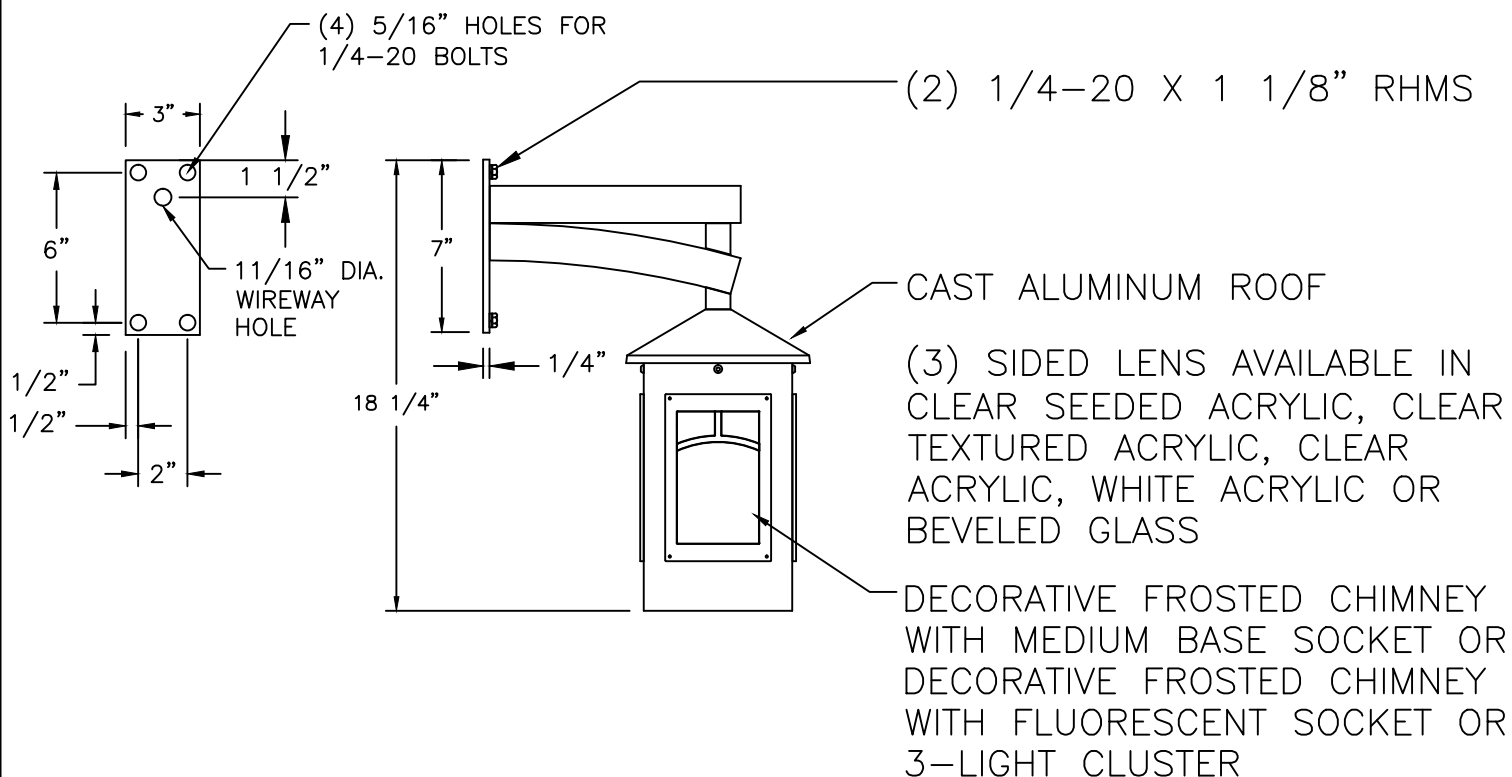
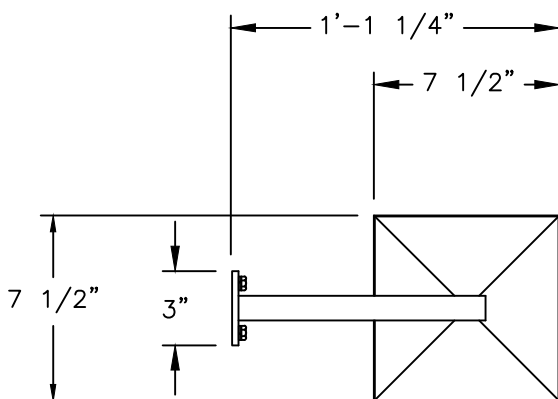
520/66WB

3/16"=1'	DRAWN	LMG
	DRAWN DATE	DEC 6 2011
		DRAWING NUMBER

520/TPS3 TINLEY RESIDENTIAL SERIES

ALL ELECTRICAL COMPONENTS ARE U.L. OR E.T.L. LISTED IN USA AND CANADA.

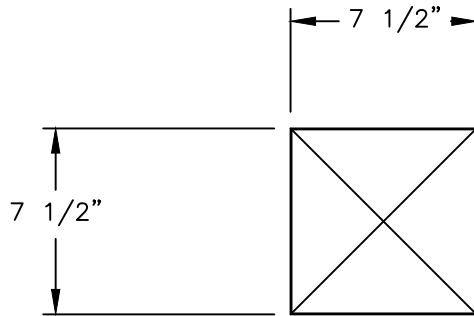
FIXTURE WILL BE PREWIRED AND TESTED.



520/TPS3

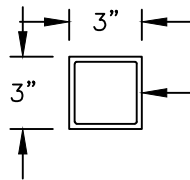
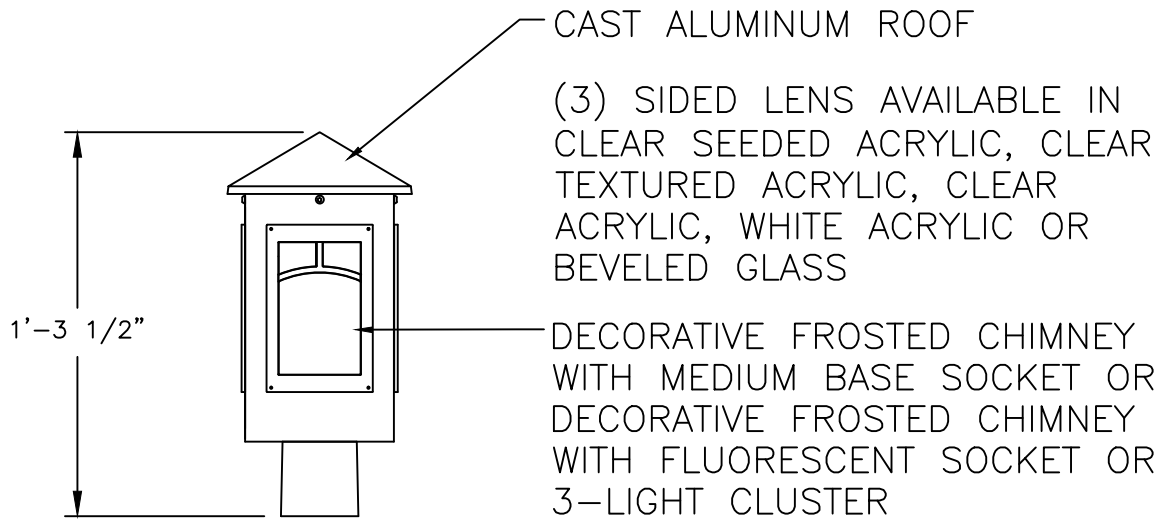
3/16"=1'	DRAWN	LMG
	DRAWN DATE	NOV 14 2011
		DRAWING NUMBER

520PT TINLEY RESIDENTIAL SERIES



ALL ELECTRICAL COMPONENTS ARE U.L. OR E.T.L. LISTED IN USA AND CANADA.

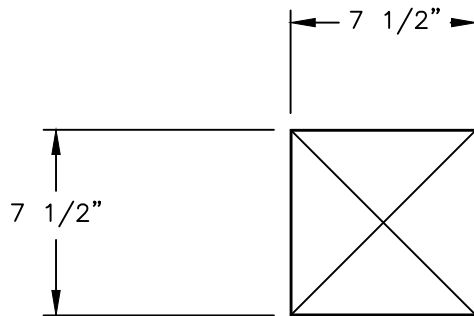
FIXTURE WILL BE PREWIRED AND TESTED.



520PT

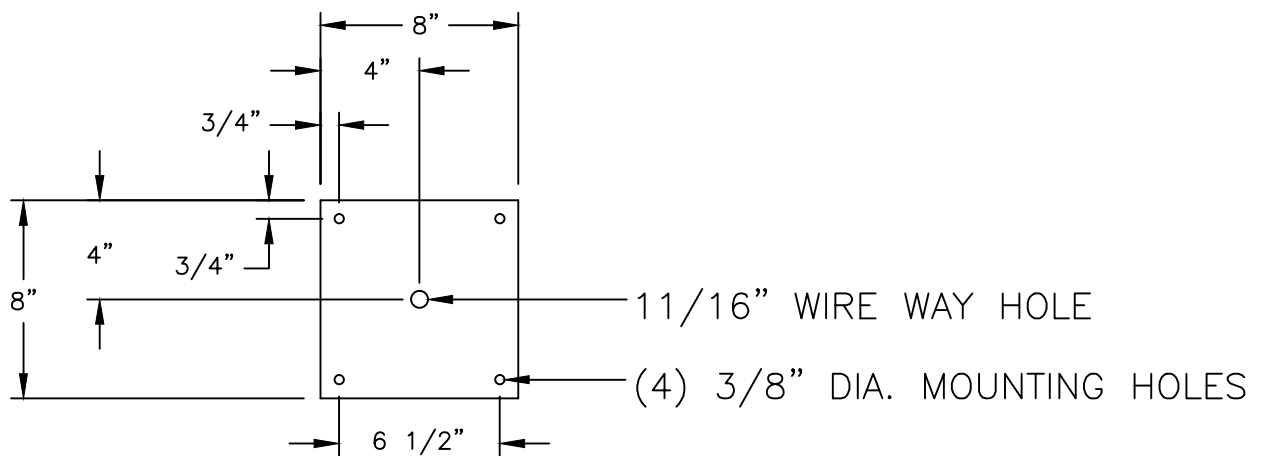
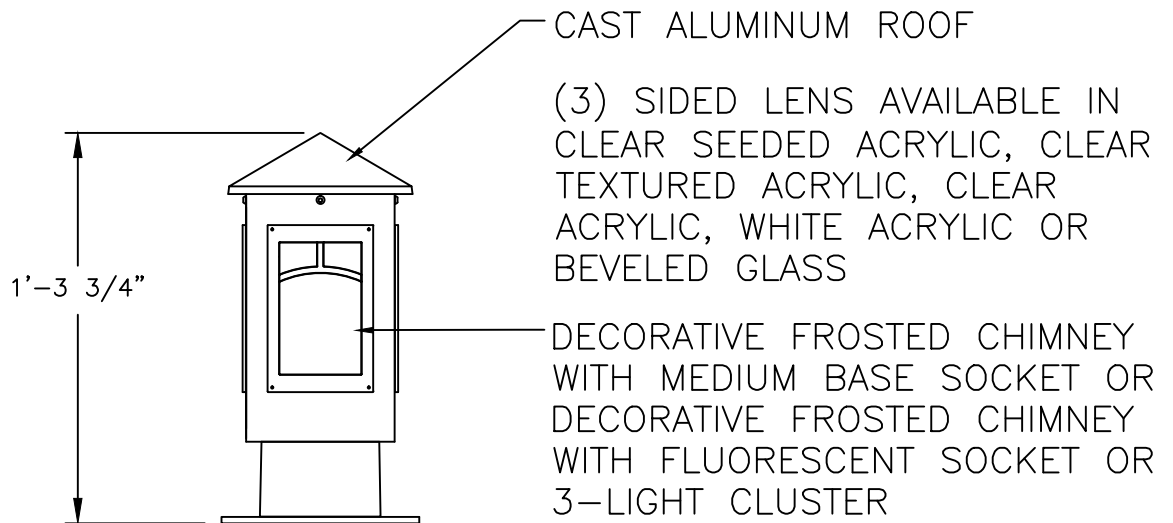
3/16"=1'	DRAWN	LMG
	DRAWN DATE	DEC 8 2011
		DRAWING NUMBER

520/PB TINLEY RESIDENTIAL SERIES



ALL ELECTRICAL COMPONENTS ARE U.L. OR E.T.L. LISTED IN USA AND CANADA.

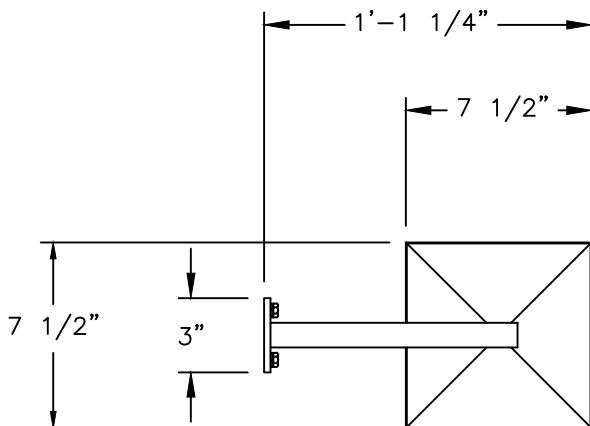
FIXTURE WILL BE PREWIRED AND TESTED.



520/PB

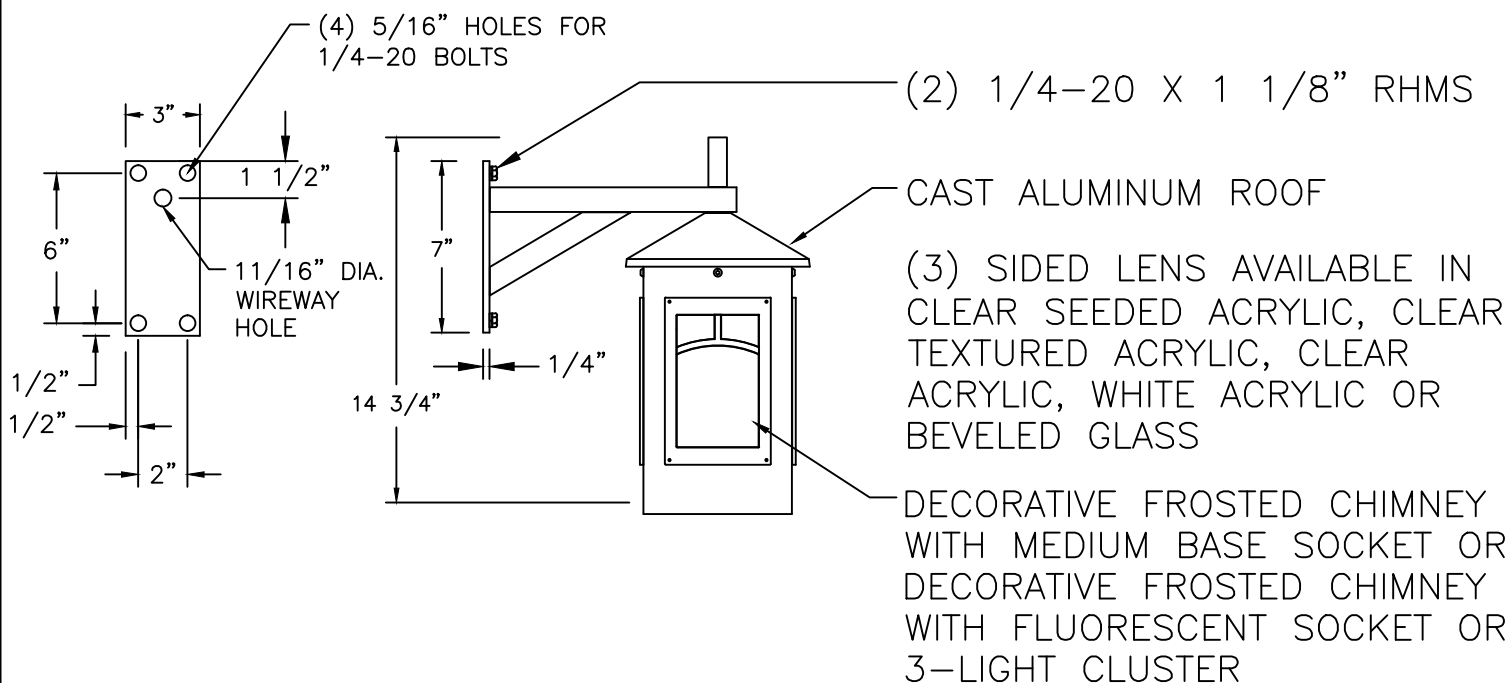
3/16"=1'	DRAWN	LMG
	DRAWN DATE	DEC 8 2011
		DRAWING NUMBER

520/HMA3 TINLEY RESIDENTIAL SERIES



ALL ELECTRICAL COMPONENTS ARE U.L. OR E.T.L. LISTED IN USA AND CANADA.

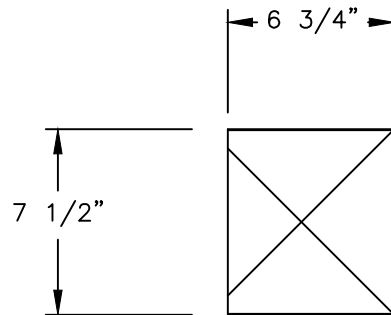
FIXTURE WILL BE PREWIRED AND TESTED.



520/HMA3

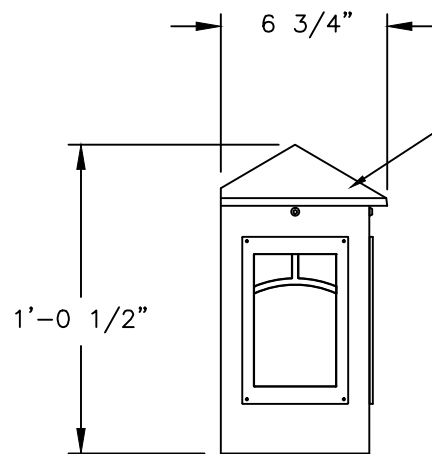
3/16"=1'	DRAWN	LMG
	DRAWN DATE	NOV 30 2011
		DRAWING NUMBER

520WB TINLEY RESIDENTIAL SERIES



ALL ELECTRICAL COMPONENTS ARE U.L. OR E.T.L. LISTED IN USA AND CANADA.

FIXTURE WILL BE PREWIRED AND TESTED.



CAST ALUMINUM ROOF

(3) SIDED LENS AVAILABLE IN CLEAR SEEDED ACRYLIC, CLEAR TEXTURED ACRYLIC, CLEAR ACRYLIC, WHITE ACRYLIC OR BEVELED GLASS

DECORATIVE FROSTED CHIMNEY WITH MEDIUM BASE SOCKET OR DECORATIVE FROSTED CHIMNEY WITH FLUORESCENT SOCKET OR 3-LIGHT CLUSTER

STERNBERG

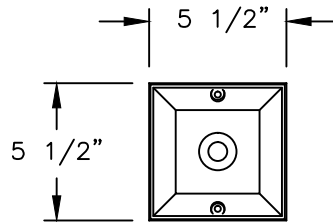
SINCE 1923

520WB

3/16"=1'

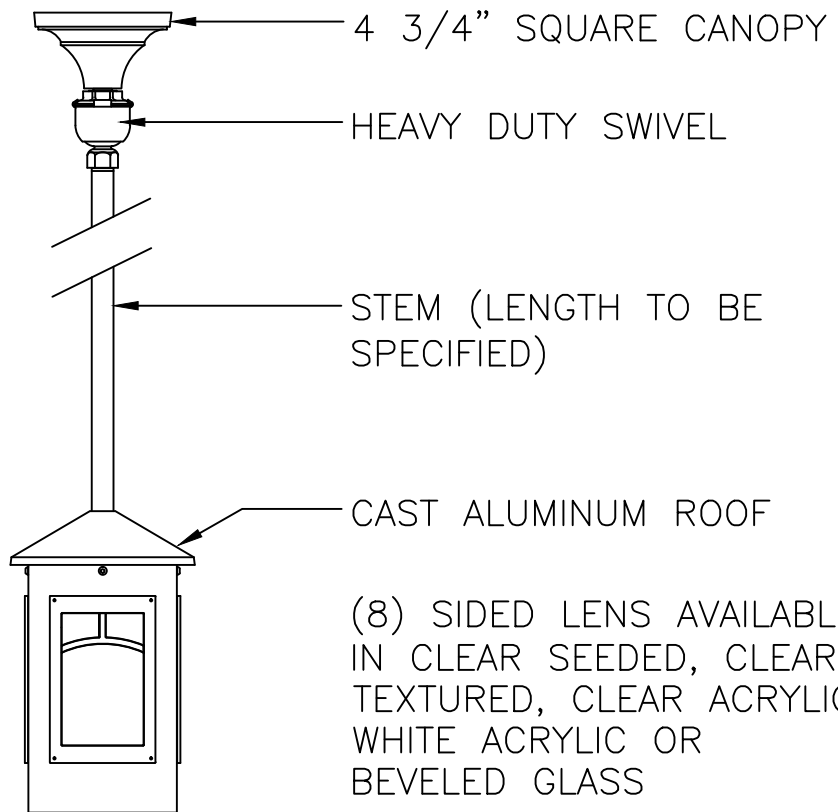
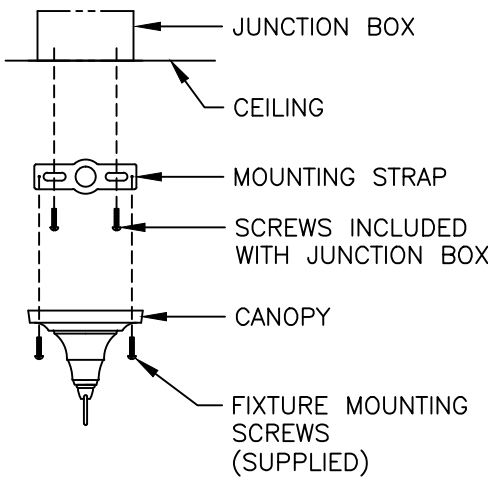
DRAWN LMG
 DRAWN DATE DEC 6 2011
 DRAWING NUMBER

520HSH27 TINLEY RESIDENTIAL SERIES



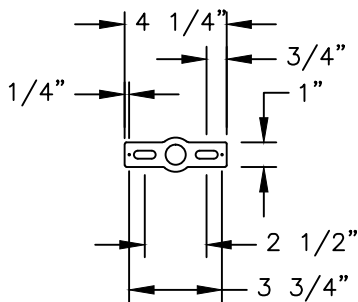
ALL ELECTRICAL COMPONENTS ARE U.L. OR E.T.L. LISTED IN USA AND CANADA.

FIXTURE WILL BE PREWIRED AND TESTED.



(8) SIDED LENS AVAILABLE IN CLEAR SEEDED, CLEAR TEXTURED, CLEAR ACRYLIC, WHITE ACRYLIC OR BEVELED GLASS

DECORATIVE FROSTED CHIMNEY WITH MEDIUM BASE SOCKET OR DECORATIVE FROSTED CHIMNEY WITH FLUORESCENT SOCKET OR 3-LIGHT CLUSTER



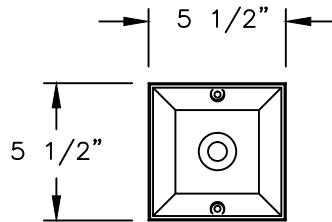
MOUNTING STRAP



520HSH27

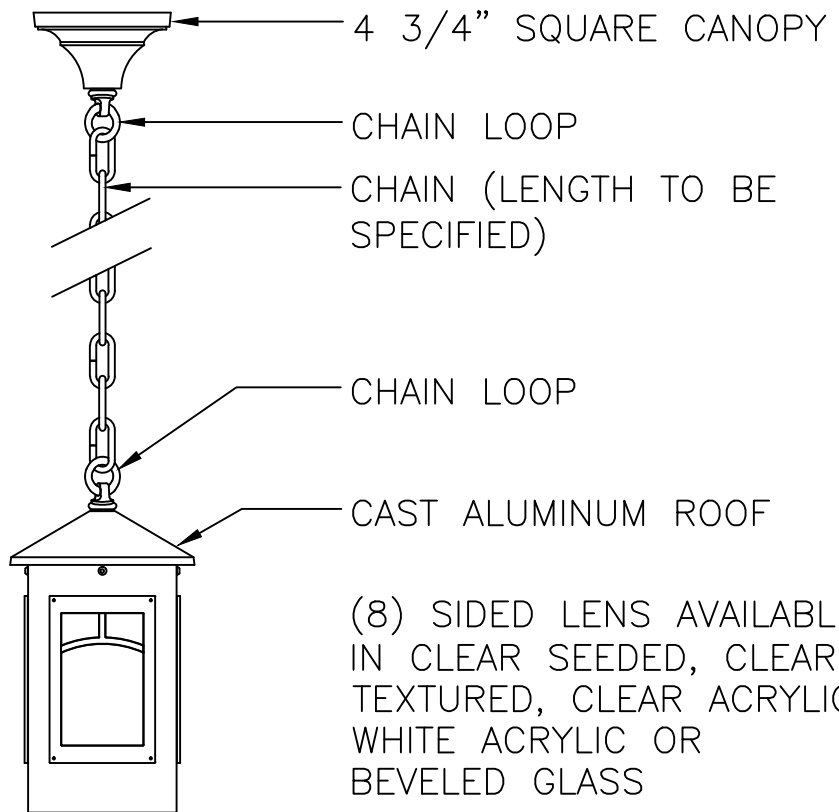
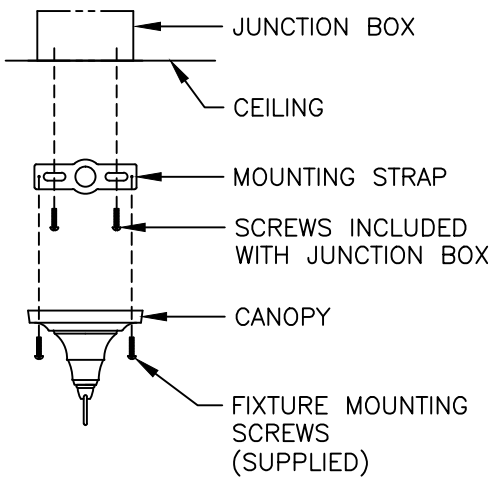
3/16"=1'	DRAWN	LMG
	DRAWN DATE	NOV 29 2011
		DRAWING NUMBER

520HCH27 TINLEY RESIDENTIAL SERIES



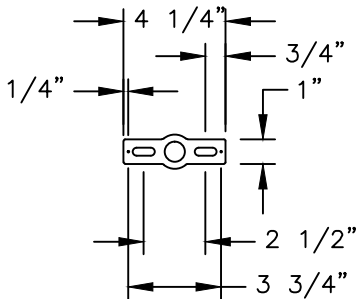
ALL ELECTRICAL COMPONENTS ARE U.L. OR E.T.L. LISTED IN USA AND CANADA.

FIXTURE WILL BE PREWIRED AND TESTED.



(8) SIDED LENS AVAILABLE IN CLEAR SEEDED, CLEAR TEXTURED, CLEAR ACRYLIC, WHITE ACRYLIC OR BEVELED GLASS

DECORATIVE FROSTED CHIMNEY WITH MEDIUM BASE SOCKET OR DECORATIVE FROSTED CHIMNEY WITH FLUORESCENT SOCKET OR 3-LIGHT CLUSTER



MOUNTING STRAP



520HCH27

3/16"=1'	DRAWN	LMG
	DRAWN DATE	NOV 29 2011
		DRAWING NUMBER