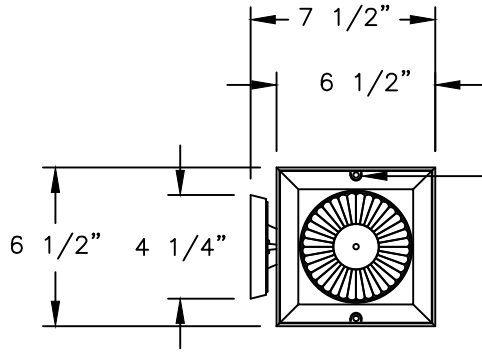




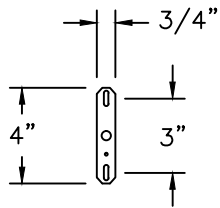
# 46 COLONIAL RESIDENTIAL SERIES

ALL ELECTRICAL COMPONENTS ARE U.L. OR E.T.L. LISTED IN USA AND CANADA.

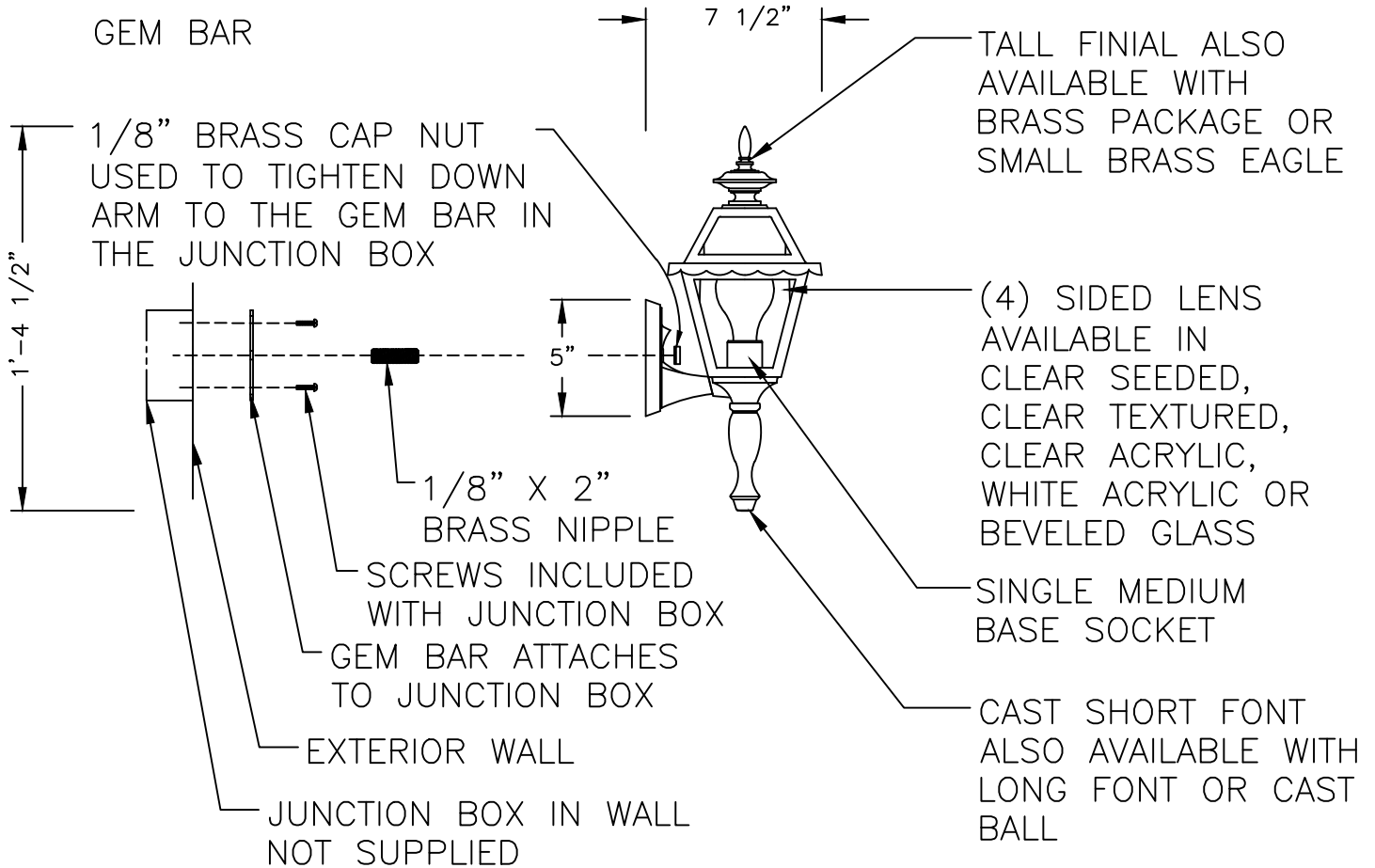
FIXTURE WILL BE PREWIRED AND TESTED. MOUNTING HARDWARE IS SUPPLIED.



ROOF SECURED WITH (2) 10-24 X 1/2" KNURLED THUMB SCREWS



GEM BAR



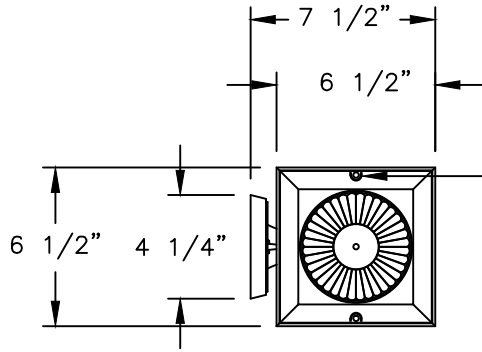
46

3/16"=1'	DRAWN	LMG
	DRAWN DATE	APR 22 2011
		DRAWING NUMBER

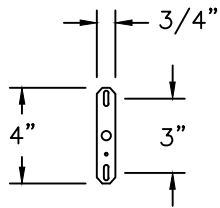
# 46LF COLONIAL RESIDENTIAL SERIES

ALL ELECTRICAL COMPONENTS ARE U.L. OR E.T.L. LISTED IN USA AND CANADA.

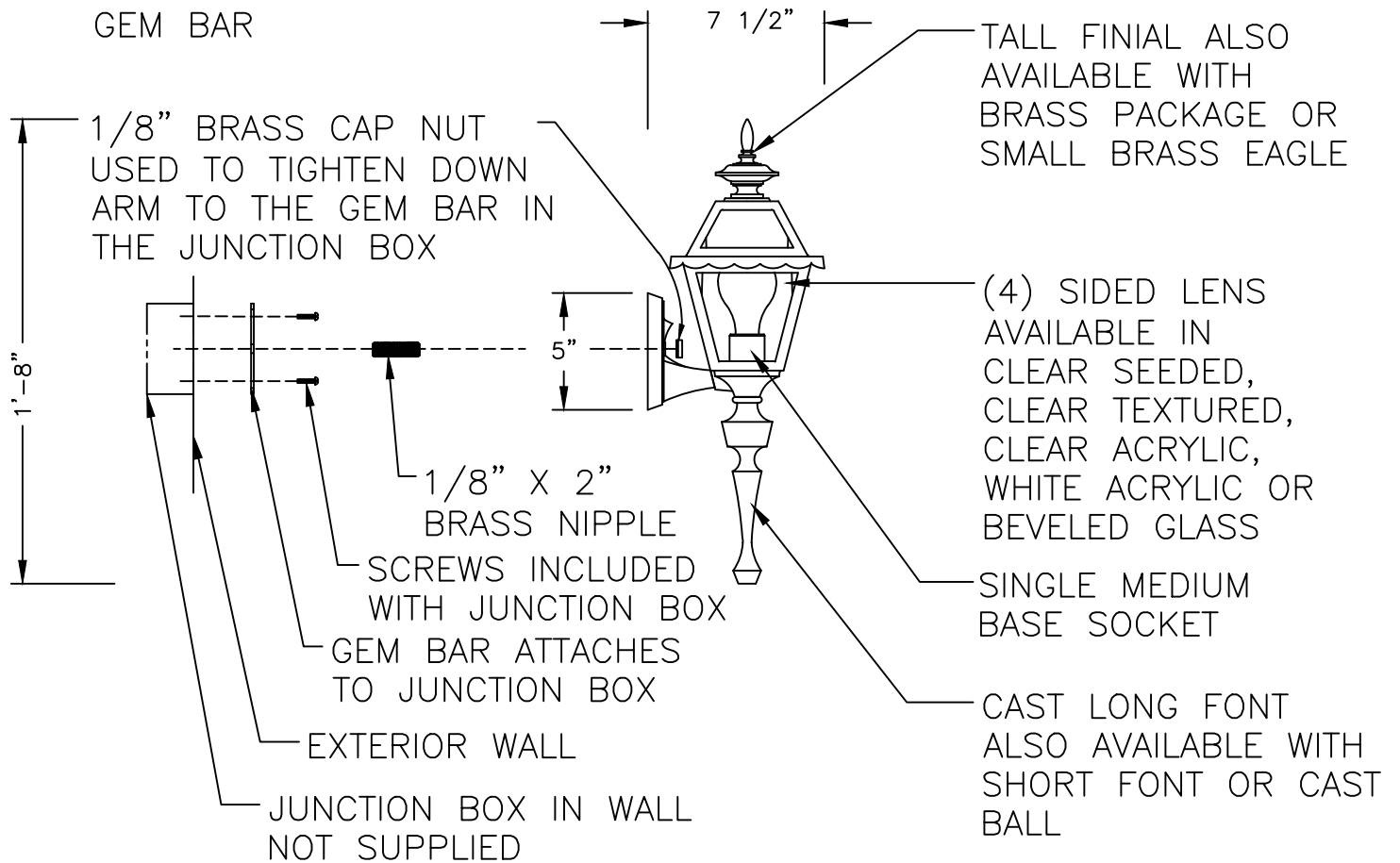
FIXTURE WILL BE PREWIRED AND TESTED. MOUNTING HARDWARE IS SUPPLIED.



ROOF SECURED WITH (2) 10-24 X 1/2" KNURLED THUMB SCREWS



GEM BAR



TALL FINIAL ALSO AVAILABLE WITH BRASS PACKAGE OR SMALL BRASS EAGLE

(4) SIDED LENS AVAILABLE IN CLEAR SEEDED, CLEAR TEXTURED, CLEAR ACRYLIC, WHITE ACRYLIC OR BEVELED GLASS

SINGLE MEDIUM BASE SOCKET

CAST LONG FONT ALSO AVAILABLE WITH SHORT FONT OR CAST BALL



46LF

3/16"=1'	DRAWN	LMG
	DRAWN DATE	APR 22 2011
		DRAWING NUMBER