

# 4555LED PARKSIDE LIGHTED BOLLARD SPECIFICATIONS

**GENERAL**

The Model 4555LED decorative lighted bollard shall be aluminum, one-piece construction. The 9" diameter cast aluminum fluted base shall be constructed with a 5" diameter straight fluted aluminum shaft. The Model shall be Sternberg Lighting #4555LED, LED lighted bollard or #4555LED-QR quick release lighted bollard. The bollard shall be U.L. or E.T.L. listed in U.S. and Canada.\*

**CONSTRUCTION**

The base shall be round and made of heavy wall, alloy cast aluminum. It shall have an extruded fluted shaft with 12 flat flutes and a 3/16" wall thickness. It shall be made of aluminum and a 3/4" thick floor cast as an integral part of the base. It shall have a cast anchor bolt cover designed with a curved relief. The bollard cap will be cast aluminum. The over-all height of the bollard shall be 42".

**ELECTRICAL / LED**

The optical assembly shall be constructed of twelve (12) fluted openings with a white acrylic lens. The LED light source shall have an IP65 rated assembly. The assembly shall consist of highly efficient, three (3) sided extruded aluminum heat sink, three (3) LED boards with 6 each high brightness LEDs and a sealed acrylic tube. The bollard shall be supplied with electrical surge protection in accord with IEEE/ANSI C62.41.2 and shall be U.L. or E.T.L. Listed in U.S. and Canada. The LED lighted bollard shall have an L70 expected life of 70,000 hours with the LED life ratings determined in accordance with IESNA LM-80. The electronic LED driver shall be a U.L. Recognized, constant current design with THD<20%.

**QUICK RELEASE MOUNTING (Optional)**

The Model 4555LED-QR shall have a quick release option which allows quick removal of the bollard for convenience or emergency access. The burial portion shall be made of aluminum extrusion and shall have a keyway and flexible connection system for securing to bollard. The bollard shall have a mated extension and anti-rotation key and padlock slot. The quick release system shall allow for a flush pavement installation after temporary bollard removal.

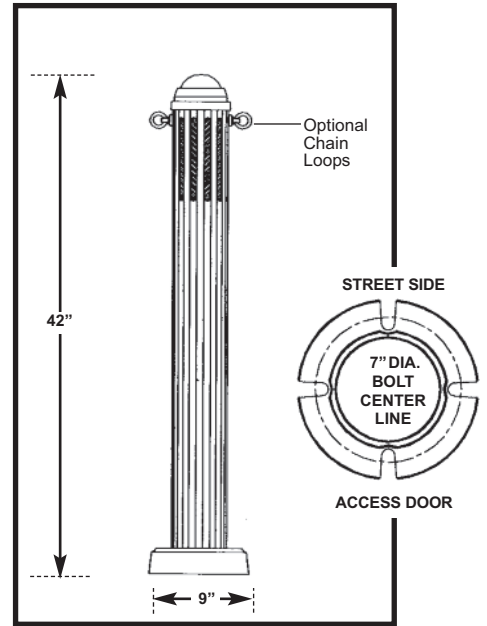
**FINISH**

Prior to coating, each assembly shall be chemically cleaned and etched in a 5-stage washing system which includes alkaline cleaning, rinsing, phosphoric etching, reverse osmosis water rinsing, and non-chrome sealing to ensure corrosion resistance and excellent adhesion for the finish coating. The finish coating shall be electrostatically applied semi-gloss, super durable polyester powder baked at 400 degrees for a durable and superior, color retentive finish. Our optional antique Verde Green finish and Swedish Iron finish are hand brushed using a 3-step process. The total assembly shall be wrapped in shockproof wrapping or fully enclosed in corrugated cartons.

**INSTALLATION**

Four, hot-dipped galvanized "L" type anchor bolts shall be provided with the post for non-quick release bollard anchorage. Quick release anchorage requires no anchor bolts. Bollard will be provided with a grounding stud mounted on the base floor opposite the access door.

**WARRANTY** Seven (7) year limited warranty. See product and finish warranty guide for details.



See installation template for exact door position.

## BUILDING A PART NUMBER PART NUMBER SELECTIONS

BOLLARD MODEL	OPTIONAL CHAIN LOOP	LIGHT SOURCE	DRIVER	OPTIONS	FINISH	MODELS	LIGHT SOURCES	STANDARD FINISHES*	OTHER FINISHES
4555LED	CL2	3S45TLCA	ML	FHD	BK	<ul style="list-style-type: none"> <li>4555LED</li> <li>4555LED-QR</li> </ul>	<ul style="list-style-type: none"> <li>3S 60TLCA 23W 6000K Type V</li> <li>3S 45TLCA 23W 4500K Type V</li> <li>3S 35TLCA 23W 3500K Type V</li> </ul>	<ul style="list-style-type: none"> <li>BKT Black Textured</li> <li>WHT White Textured</li> <li>PGT Park Green Textured</li> <li>ABZT Architectural Medium Bronze Textured</li> <li>DBT Dark Bronze Textured</li> </ul>	<ul style="list-style-type: none"> <li>RT Rust</li> <li>WBR Weathered Brown</li> <li>CD Cedar</li> <li>WBK Weathered Black</li> <li>TT Two Tone</li> </ul>
						<p><b>DRIVERS</b></p> <ul style="list-style-type: none"> <li>ML-120-277V</li> <li>MDL - Dimming 120-277V</li> </ul>		<p>*Smooth Finishes are available upon request</p>	<p><b>STERNBERG SELECT FINISHES</b></p> <ul style="list-style-type: none"> <li>VG Verde Green</li> <li>SI Swedish Iron</li> <li>OWGT Old World Gray Textured</li> </ul>
						<p><b>OPTIONAL CHAIN LOOP</b></p> <ul style="list-style-type: none"> <li>CL1 Chain Loop</li> <li>CL2 Chain Loops 180°</li> </ul>	<p>TO ORDER CHAIN: Specify total length of chain required for project.</p>	<p><b>CUSTOM FINISHES</b></p> <ul style="list-style-type: none"> <li>OI Old Iron</li> </ul>	<p><b>OPTIONS</b></p> <ul style="list-style-type: none"> <li>PEC1<sup>1</sup> Photocell-Bimetal 120 Volt</li> <li>PEC2<sup>1</sup> Photocell-Bimetal 208-277 Volt</li> <li>PEC1-E<sup>1</sup> Photocell-Electronic 120 Volt</li> <li>PEC2-E<sup>1</sup> Photocell-Electronic 208-277 Volt</li> <li>LP Low Power/ Reduced Output 11W</li> </ul>
									<ul style="list-style-type: none"> <li>FHD Dual Fuses and Holder</li> <li>GFI Ground Fault Interrupter Duplex Outlet<sup>1</sup></li> </ul>



**\* NOTES**  
 \*U.L. listed components only. Bollard is not U.L. or E.T.L. listed with a photocell.