

# 4555B PARKSIDE UNLIT BOLLARD

# SPECIFICATIONS

## GENERAL

The Model 4555B decorative unlit bollard shall be aluminum, one-piece construction. The 9" diameter cast aluminum fluted base shall be constructed with a 5" inch diameter straight fluted aluminum shaft. The Model shall be Sternberg Lighting #4555B unlit bollard or #4555B-QR quick release unlit bollard.

## CONSTRUCTION

The base shall be round and made of heavy wall, 356 alloy cast aluminum. It shall have an extruded fluted shaft with 12 flat flutes and a 3/16" wall thickness. It shall be made of ASTM 6061 aluminum tempered to a T6 condition and a 3/4" thick floor cast as an integral part of the base. It shall have a cast anchor bolt cover designed with a curved relief. The bollard cap shall be welded in place. The overall height of the bollard shall be 42".

## QUICK RELEASE MOUNTING (Optional)

The Model 4555B-QR shall have a quick release option which allows quick removal of the bollard for convenience or emergency access. The burial portion shall be made of ASTM 6061 aluminum extrusion and shall have a keyway and flexible connection system for securing to bollard. The bollard shall have a mated extension and anti-rotation key and padlock slot. The quick release system shall allow for a flush pavement installation after temporary bollard removal.

## FINISH

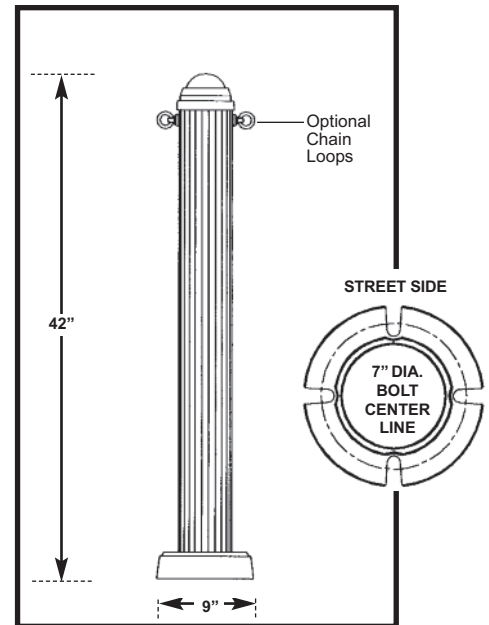
Prior to coating, each assembly shall be chemically cleaned and etched in a 5-stage washing system which includes alkaline cleaning, rinsing, phosphoric etching, reverse osmosis water rinsing, and non-chrome sealing to ensure corrosion resistance and excellent adhesion for the finish coating. The finish coating shall be electrostatically applied semi-gloss, super durable polyester powder baked at 400 degrees for a durable and superior, color retentive finish. Our optional antique Verde Green finish and Swedish Iron finish are hand brushed using a 3-step process. The total assembly shall be wrapped in shockproof wrapping or fully enclosed in corrugated cartons.

## INSTALLATION

Four, hot-dipped galvanized "L" type anchor bolts shall be provided with the post for non-quick release bollard anchorage. Quick release anchorage requires no anchor bolts.

## WARRANTY

Five-year limited warranty. See product and finish warranty guide for details.



See installation template for exact door position.

## BUILDING A PART NUMBER

## PART NUMBER SELECTIONS

BOLLARD MODEL	OPTIONAL CHAIN LOOP	OPTIONS	FINISH
4555B-24"	CL2		VG



### MODELS \*

- 4555B
- 4555B-QR

### OPTIONAL CHAIN LOOP\*\*

- CL1 Chain Loop
- CL2 Chain Loops 180°

\* NOTE: For custom heights, designate height after bollard model. Example: 4555B-40"

\*\* TO ORDER CHAIN: Specify total length of chain required for project.

### STANDARD FINISHES\*

- BKT Black Textured
- WHT White Textured
- PGT Park Green Textured
- ABZT Architectural Medium Bronze Textured
- DBT Dark Bronze Textured

\*Smooth Finishes are available upon request

### CUSTOM FINISHES

- OI Old Iron
- RT Rust
- WBR Weathered Brown
- CD Cedar
- WBK Weathered Black
- TT Two Tone

### STERNBERG SELECT FINISHES

- VG Verde Green
- SI Swedish Iron
- OWGT Old World Gray Textured

# 4555LB PARKSIDE LIGHTED BOLLARD SPECIFICATIONS

## GENERAL

The Model 4555LB decorative lighted bollard shall be aluminum, one-piece construction. The 9" diameter cast aluminum fluted base shall be constructed with a 5" diameter straight fluted aluminum shaft. The Model shall be Sternberg Lighting #4555LB lighted bollard or #4555LB-QR quick release lighted bollard.

## CONSTRUCTION

The base shall be round and made of heavy wall, 356 alloy cast aluminum. It shall have an extruded fluted shaft with 12 flat flutes and a 3/16" wall thickness. It shall be made of ASTM 6061 aluminum tempered to a T6 condition and a 3/4" thick floor cast as an integral part of the base. It shall have a cast anchor bolt cover designed with a curved relief. The bollard cap will be cast aluminum. The over-all height of the bollard shall be 42".

## ELECTRICAL

The optical assembly shall be constructed of twelve fluted openings with a white acrylic lens. All electrical components shall be U.L. approved. H.I.D. ballasts shall be high power factor with lamp starting down to -30 degrees C. Medium base porcelain sockets to be 4KV rated. The ballast/socket assembly shall be pre-wired. Optional compact fluorescent (PL) ballasts shall be instant start electronic with a starting temperature of down to 0 degrees F. They shall have a 4-pin socket and support quad tube and triple tube lamps. Ballasts shall be DOE EISA compliant.

## QUICK RELEASE MOUNTING (Optional)

The Model 4555LB-QR shall have a quick release option which allows quick removal of the bollard for convenience or emergency access. The burial portion shall be made of ASTM 6061 aluminum extrusion and shall have a keyway and flexible connection system for securing to bollard. The bollard shall have a mated extension and anti-rotation key and padlock slot. The quick release system shall allow for a flush pavement installation after temporary bollard removal.

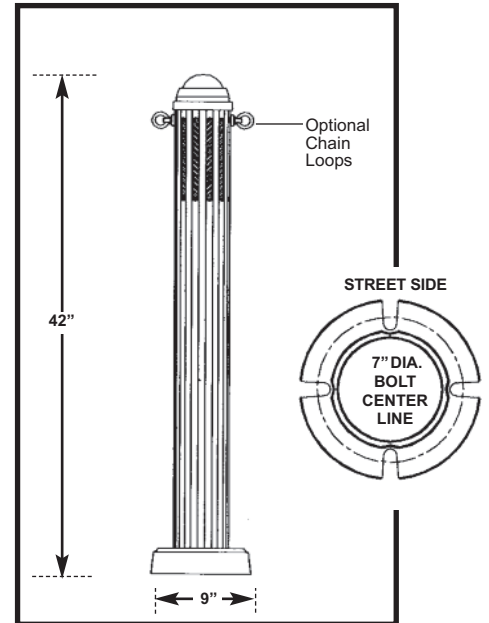
## FINISH

Prior to coating, each assembly shall be chemically cleaned and etched in a 5-stage washing system which includes alkaline cleaning, rinsing, phosphoric etching, reverse osmosis water rinsing, and non-chrome sealing to ensure corrosion resistance and excellent adhesion for the finish coating. The finish coating shall be electrostatically applied semi-gloss, super durable polyester powder baked at 400 degrees for a durable and superior, color retentive finish. Our optional antique Verde Green finish and Swedish Iron finish are hand brushed using a 3-step process. The total assembly shall be wrapped in shockproof wrapping or fully enclosed in corrugated cartons.

## INSTALLATION

Four, hot-dipped galvanized "L" type anchor bolts shall be provided with the post for non-quick release bollard anchorage. Quick release anchorage requires no anchor bolts. Bollard will be provided with a grounding stud mounted on the base floor opposite the access door.

**WARRANTY** Five-year limited warranty. See product and finish warranty guide for details.



See installation template for exact door position.

## BUILDING A PART NUMBER

## PART NUMBER SELECTIONS

BOLLARD MODEL	OPTIONAL CHAIN LOOP	OPTIONS	LIGHT SOURCE BALLAST WATTS/TYPE/VOLTS	FINISH
4555LB-24"	CL2	FHS	50HPS120	VG



### MODELS\*

- 4555LB
- 4555LB-QR

\* NOTE: For custom heights, designate height after bollard model. Example: 4555LB-40"

\*\* TO ORDER CHAIN: Specify total length of chain required for project.

MHP- Metal halide systems are pulse start.

### BALLASTS

- 35HPS
- 50HPS
- 70HPS
- 50MHP
- 70MHP
- 26PLT
- 32PLT
- 42PLT
- INCAND

### VOLTAGES

- 120
- 208
- 240
- 277
- 480
- MULTI (120-277)

### LAMPS

- HPS35/MED
- HPS50/MED
- HPS70/MED
- MHP50/MED
- MHP70/MED
- PLT26
- PLT32
- PLT42

### OPTIONAL CHAIN LOOP\*\*

- CL1
- Chain Loop
- CL2 Chain Loops 180°

### STANDARD FINISHES\*

- BKT Black Textured
- WHT White Textured
- PGT Park Green Textured
- ABZT Architectural Medium Bronze Textured
- DBT Dark Bronze Textured

\*Smooth Finishes are available upon request

### CUSTOM FINISHES

- OI Old Iron
- RT Rust

### OPTIONS

- PEC1 Photocell-Bimetal 120 Volt
- PEC2 Photocell-Bimetal 208-277 Volt
- PEC1-E Photocell-Electronic 120 Volt
- PEC2-E Photocell-Electronic 208-277 Volt
- FHS Single Fuse and Holder-120,277 Volt
- WBR Weathered Brown
- CD Cedar
- WBK Weathered Black
- TT Two Tone
- VG Verde Green
- SI Swedish Iron
- OWGT Old World Gray Textured
- FHD Dual Fuse and Holder-208,240,480 Volt
- GFI Ground Fault Interrupter Duplex Outlet<sup>1</sup>
- LAMPS Select from List

<sup>1</sup>GFI not available with QR option