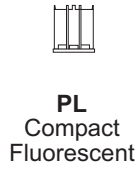
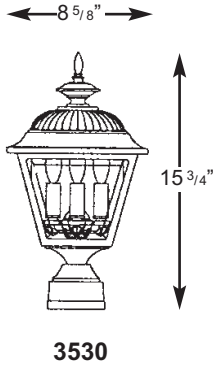


# 3500 RESIDENTIAL SERIES

# SPECIFICATIONS

FIXTURES	SOCKET TYPE	BB BALLAST BOX
----------	-------------	----------------



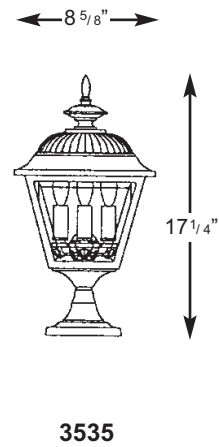
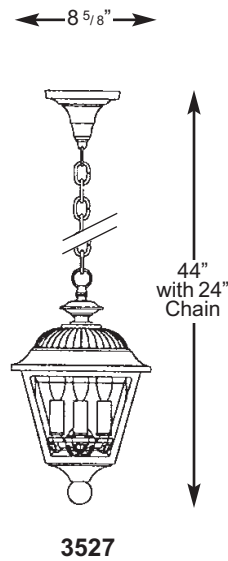
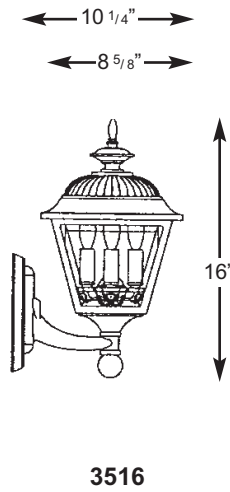
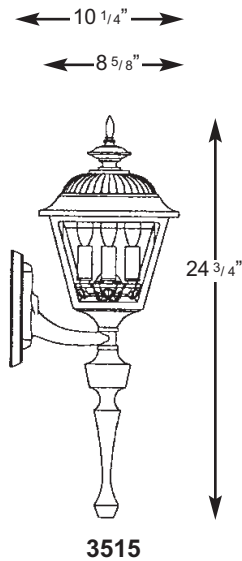
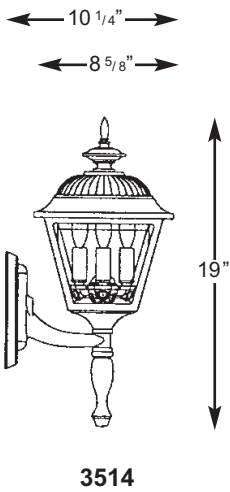
**879BB** - Medium Scale for up to 50 watt ballasts



**27BB** - Hanging or Pier for up to 100 watt ballasts

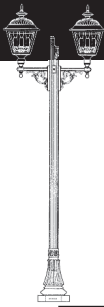


FIXTURES
----------



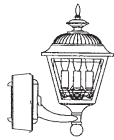
NOTE: 3500 Series requires ballast box  
Add 2' to 4" on extensions for ballast box.  
3 Lite cluster is 25 watt max lamp per socket.  
\*Remote ballast box required if HID or CF.

# BUILDING A PART NUMBER



## POST & ARM FIXTURES

ARM MOUNTED FIXTURE NO. OF ARMS	CENTER POST TOP FIXTURE (PT) FIXTURE	POST	POST CAP	LIGHT SOURCE BALLAST WATTS / TYPE / VOLTS	OPTICS	OPTIONS	LENS	FINISH	
2	3530/78PM		3412FP5	FCC	70 HPS120	3L	HPS70/MED	CSA	BKT



FIXTURE / WALL BRACKET	LIGHT SOURCE BALLAST WATTS / TYPE / VOLTS	OPTICS	OPTIONS	LENS	FINISH
3516/879BB	70HPS120	3L	HPS70/MED	CTA	BKT



**PIER FIXTURES**  
Uses same information boxes as wall fixture

3535/3L

FIXTURE / PIER BASE



## HANGING FIXTURES

FIXTURE / HANGING BRACKET	OVERALL DROP IN INCHES	LIGHT SOURCE BALLAST WATTS / TYPE / VOLTS	OPTICS	OPTIONS	LENS	FINISH
3527BB/CH28	24 INCHES	70 HPS120	3L	HPS70/MED	CSA	BKT

## PART NUMBER SELECTIONS

### FIXTURES<sup>1</sup>

- 3514
- 3515
- 3516
- 3527
- 3535

### LENSES

- BG
- CSA
- CTA
- CA
- WA

### BALLASTS<sup>1,4</sup>

- 35HPS<sup>2</sup>
- 50HPS
- 70HPS
- 50MHP
- 70MHP
- 26PLT
- 32PLT
- 42PLT
- INCAND (100 watt max.)

### BB - BALLAST BOX

- 879BB - Medium Scale for up to 50 watt ballasts
- 27BB - Hanging or Pier for up to 70 watt ballasts

### LAMPS<sup>5</sup>

- HPS35/MED
- HPS50/MED
- HPS70/MED
- MHP50/MED
- MHP70/MED
- PLT26
- PLT32
- PLT42

### STANDARD FINISHES\*

- BKT Black Textured
- WHT White Textured
- PGT Park Green Textured
- ABZT Architectural Medium Bronze Textured
- DBT Dark Bronze Textured

\*Smooth Finishes are available upon request

### CUSTOM FINISHES

- OI Old Iron
- RT Rust
- WBR Weathered Brown
- CD Cedar
- WBK Weathered Black
- TT Two Tone

### STERNBERG SELECT FINISHES

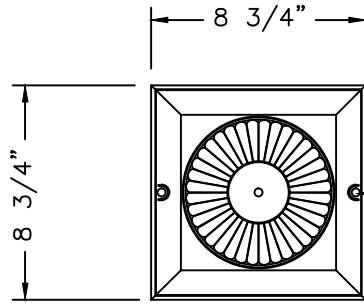
- VG Verde Green
- SI Swedish Iron
- OWGT Old World Gray Textured

#### NOTES:

- <sup>1</sup> Pole mounted fixtures - requires ballast to be mounted in pole base.
- <sup>1</sup> Wall mounted fixtures - requires wall bracket arms with ballast box.
- <sup>1</sup> Pier mounted fixtures - require PB27BB if ballasted.
- <sup>1</sup> Hanging fixtures - require CH/SH27BB if ballasted.
- <sup>2</sup> 35HPS is 120 volt only.
- <sup>3</sup> Medium base socket only when used to house lamp.
- <sup>4</sup> Medium base sockets standard with HID ballasts. 4-pin for PL.
- <sup>5</sup> Metal halide systems are pulse start.

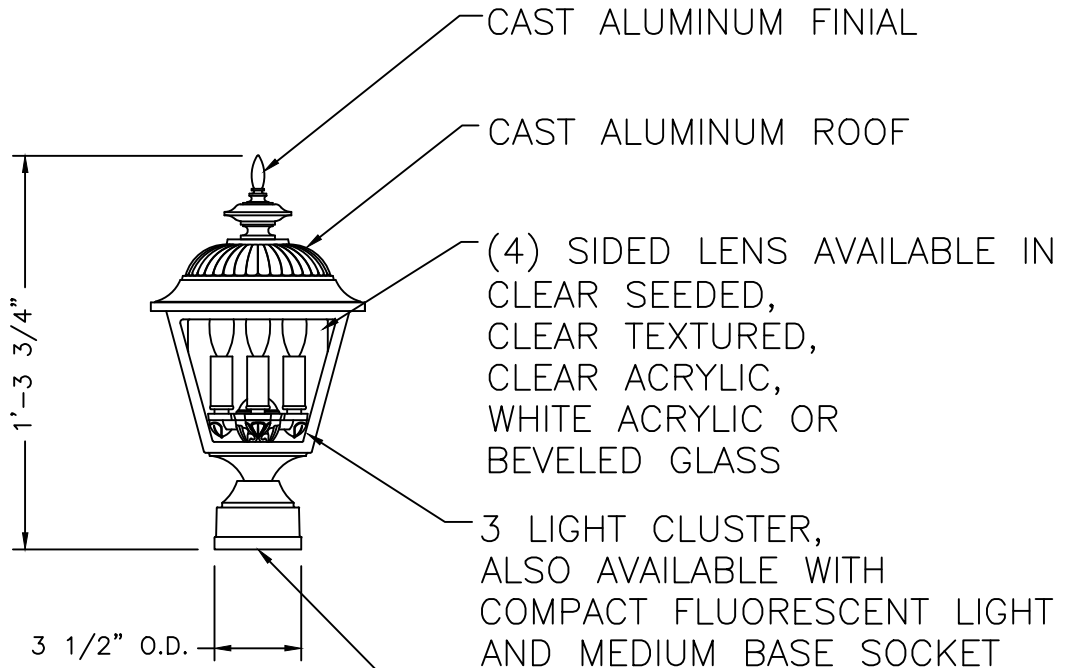
# 3530 RESIDENTIAL SERIES

ALL ELECTRICAL COMPONENTS ARE U.L. OR E.T.L. LISTED IN USA AND CANADA.



ROOF SECURED WITH (2) 10-24 X 1/2" KNURLED THUMB SCREWS

FIXTURE WILL BE PREWIRED AND TESTED. MOUNTING HARDWARE IS SUPPLIED.



CAST ALUMINUM FINIAL

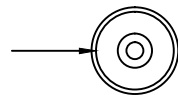
CAST ALUMINUM ROOF

(4) SIDED LENS AVAILABLE IN CLEAR SEEDED, CLEAR TEXTURED, CLEAR ACRYLIC, WHITE ACRYLIC OR BEVELED GLASS

3 LIGHT CLUSTER, ALSO AVAILABLE WITH COMPACT FLUORESCENT LIGHT AND MEDIUM BASE SOCKET

POST TOP STYLE AVAILABLE FOR WALL BRACKET, PIER BASE AND HANGING.

Ø 3 1/8" I.D. OPENING TO SLIP 3" TENON



SECURED WITH SET SCREWS



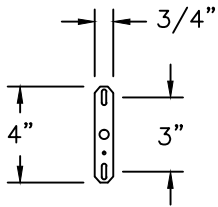
3530

3/16"=1'	DRAWN	LMG
	DRAWN DATE	JAN 27 2011
		DRAWING NUMBER

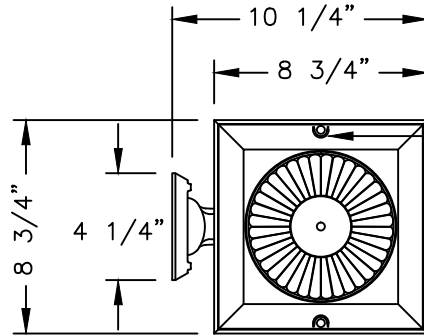
# 3514 RESIDENTIAL SERIES

ALL ELECTRICAL COMPONENTS ARE U.L. OR E.T.L. LISTED IN USA AND CANADA.

FIXTURE WILL BE PREWIRED AND TESTED. MOUNTING HARDWARE IS SUPPLIED.

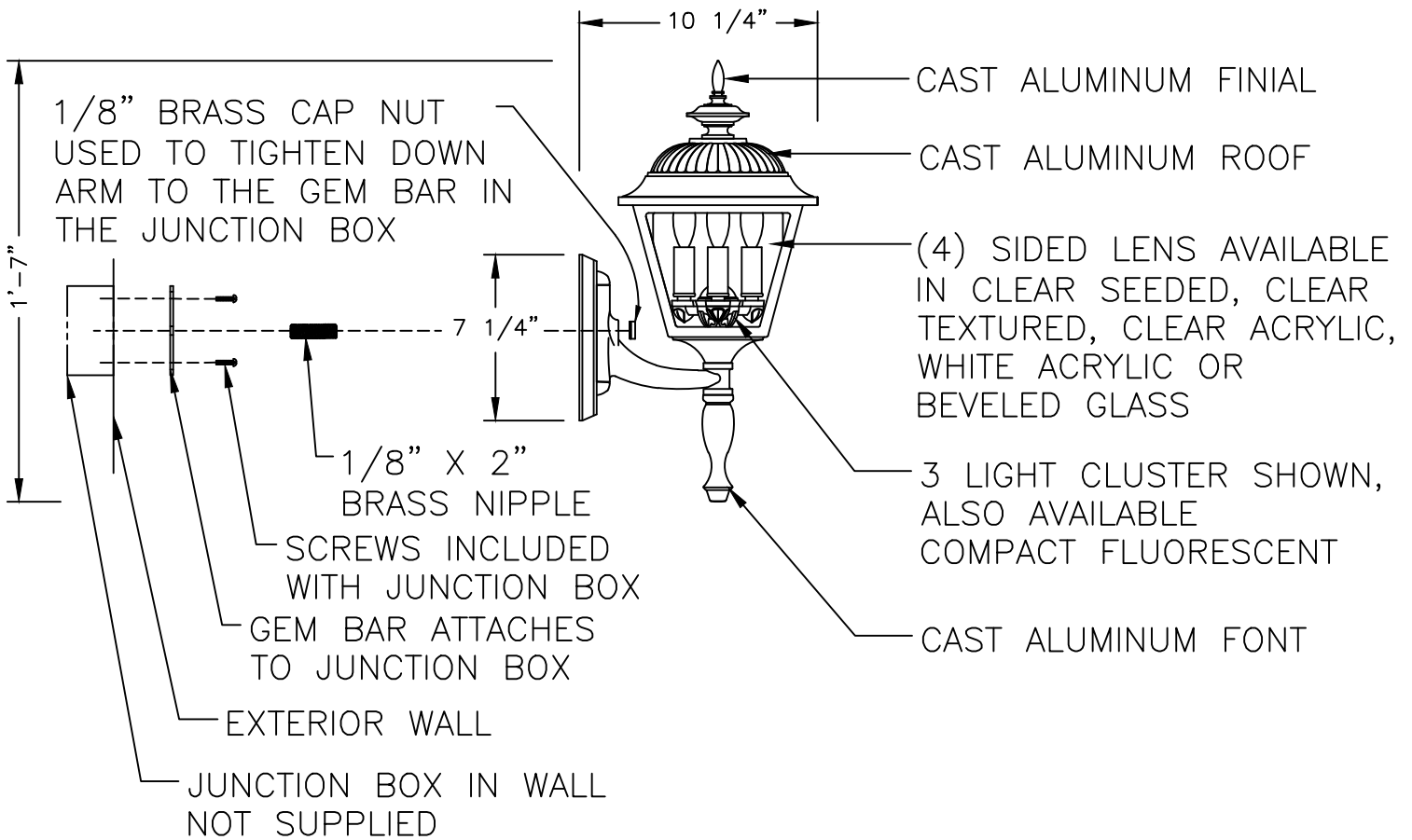


GEM BAR



ROOF SECURED WITH (2) 10-24 X 1/2" KNURLED THUMB SCREWS

ALSO AVAILABLE WITH BRASS PACKAGE



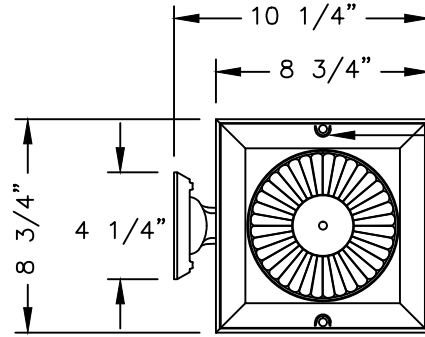
3514

3/16"=1'	DRAWN LMG
	DRAWN DATE FEB 8 2011
	DRAWING NUMBER

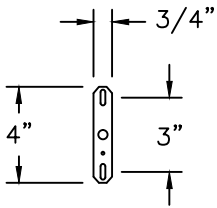
# 3515 RESIDENTIAL SERIES

ALL ELECTRICAL COMPONENTS ARE U.L. OR E.T.L. LISTED IN USA AND CANADA.

FIXTURE WILL BE PREWIRED AND TESTED. MOUNTING HARDWARE IS SUPPLIED.

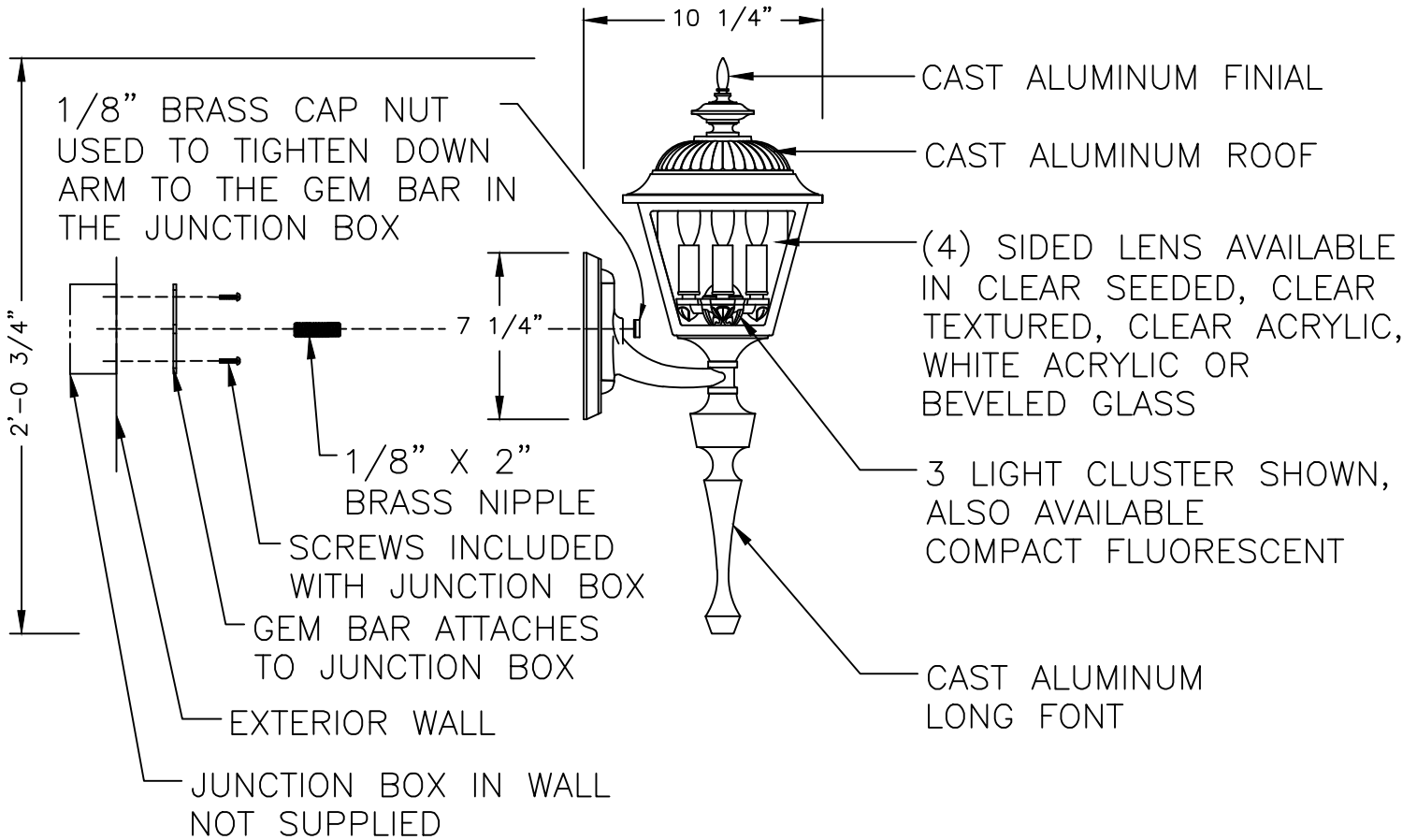


ROOF SECURED WITH (2) 10-24 X 1/2" KNURLED THUMB SCREWS



GEM BAR

ALSO AVAILABLE WITH BRASS PACKAGE



CAST ALUMINUM FINIAL

CAST ALUMINUM ROOF

(4) SIDED LENS AVAILABLE IN CLEAR SEEDED, CLEAR TEXTURED, CLEAR ACRYLIC, WHITE ACRYLIC OR BEVELED GLASS

3 LIGHT CLUSTER SHOWN, ALSO AVAILABLE COMPACT FLUORESCENT

CAST ALUMINUM LONG FONT

1/8" BRASS CAP NUT USED TO TIGHTEN DOWN ARM TO THE GEM BAR IN THE JUNCTION BOX

1/8" X 2" BRASS NIPPLE SCREWS INCLUDED WITH JUNCTION BOX

GEM BAR ATTACHES TO JUNCTION BOX

EXTERIOR WALL

JUNCTION BOX IN WALL NOT SUPPLIED



3515

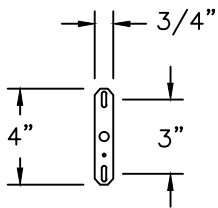
3/16"=1'

DRAWN LMG  
 DRAWN DATE FEB 8 2011  
 DRAWING NUMBER

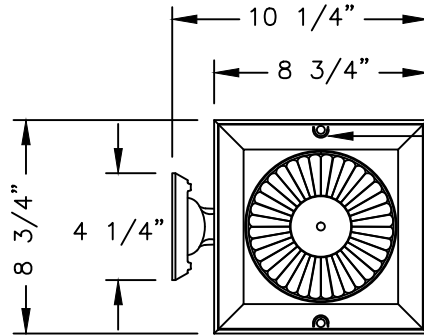
# 3516 RESIDENTIAL SERIES

ALL ELECTRICAL COMPONENTS ARE U.L. OR E.T.L. LISTED IN USA AND CANADA.

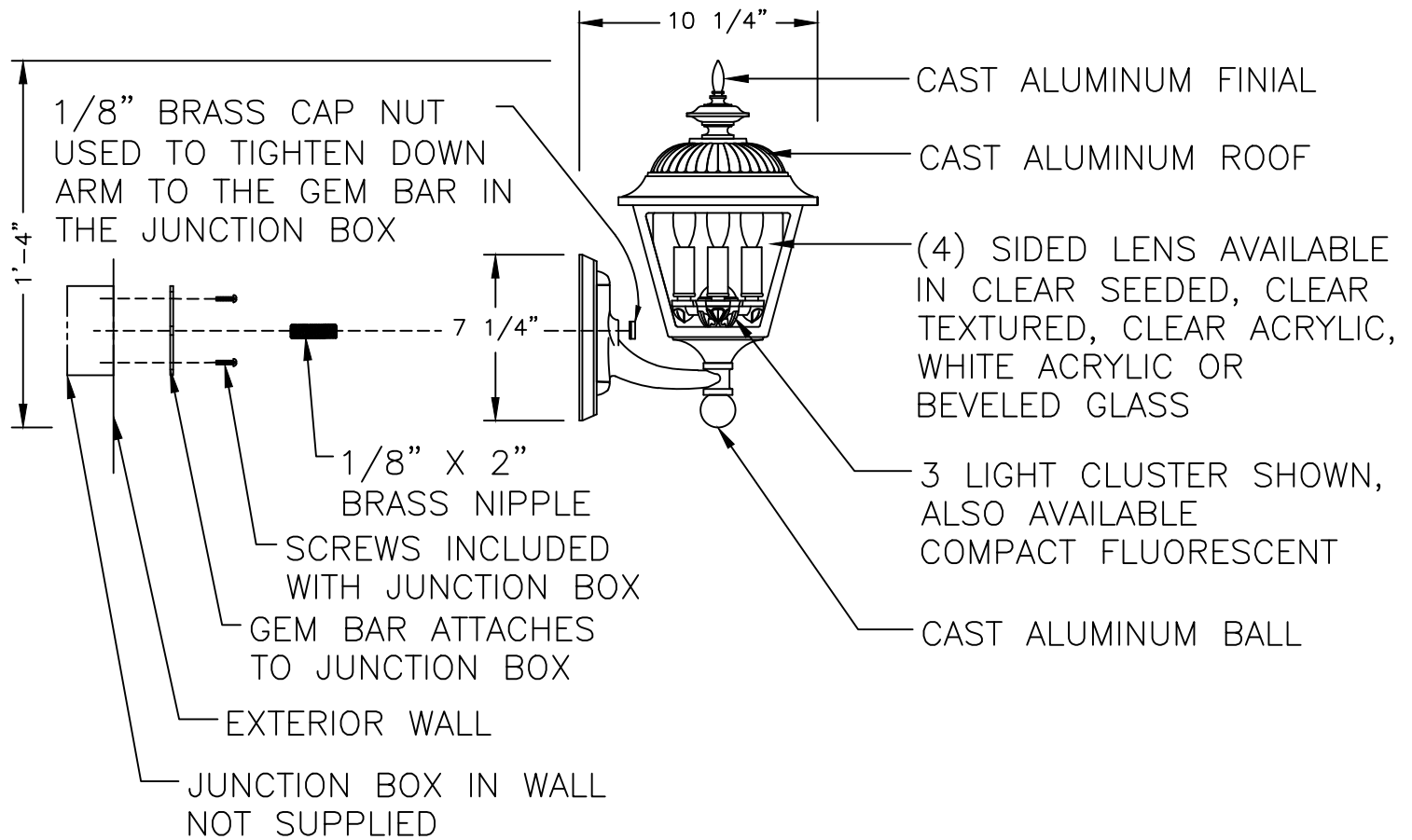
FIXTURE WILL BE PREWIRED AND TESTED. MOUNTING HARDWARE IS SUPPLIED.



GEM BAR



ROOF SECURED WITH (2) 10-24 X 1/2" KNURLED THUMB SCREWS



3516

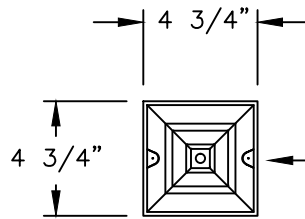
3/16"=1'

DRAWN LMG  
 DRAWN DATE FEB 8 2011  
 DRAWING NUMBER

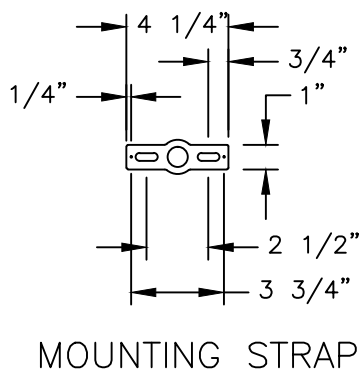
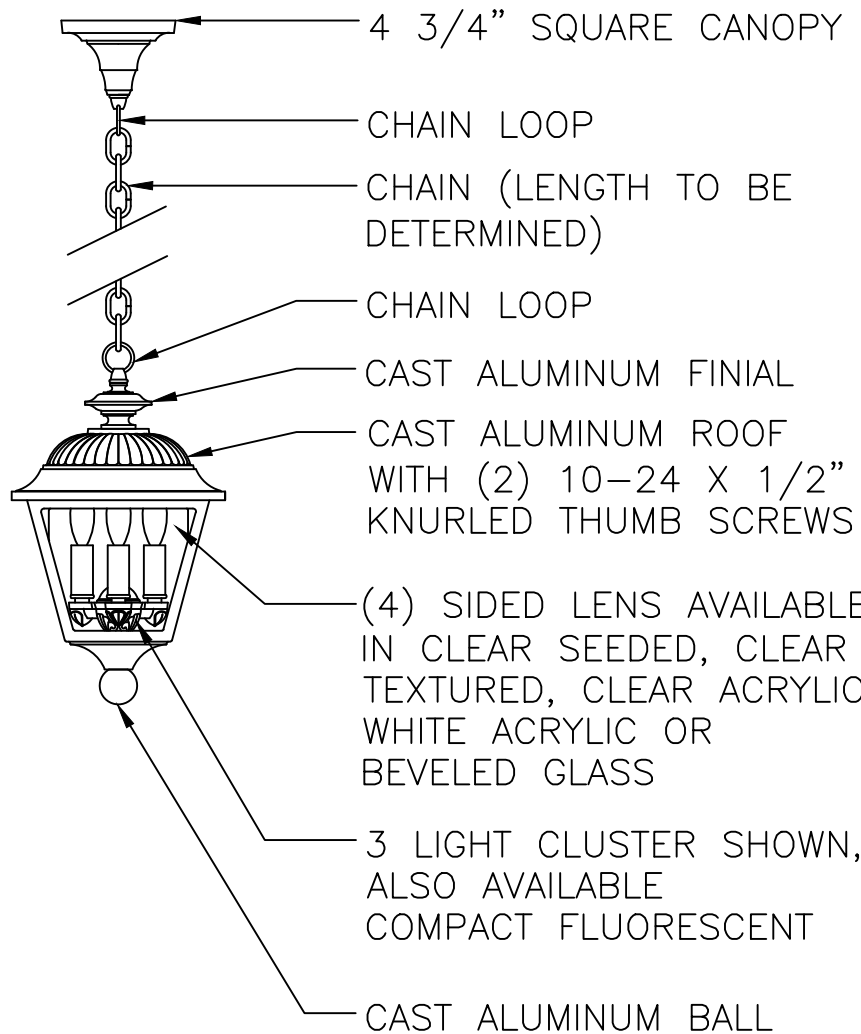
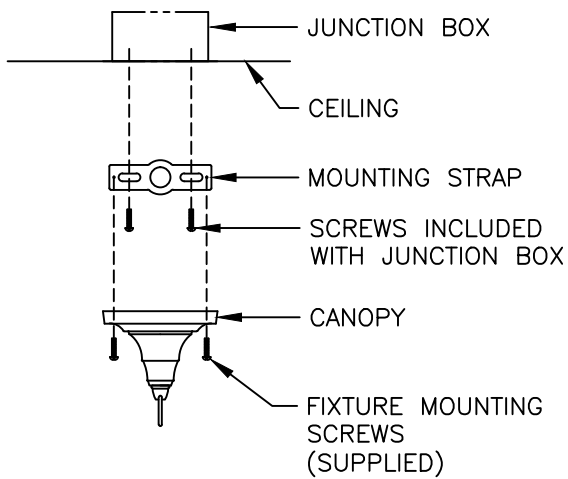
# 3527 RESIDENTIAL SERIES

ALL ELECTRICAL COMPONENTS ARE U.L. OR E.T.L. LISTED IN USA AND CANADA.

FIXTURE WILL BE PREWIRED AND TESTED. MOUNTING HARDWARE IS SUPPLIED.



CANOPY SECURED WITH (2) 10-24 X 5/8" RHMS KNURLED THUMB SCREWS



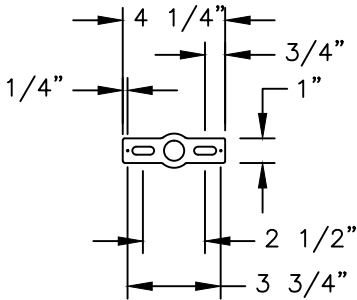
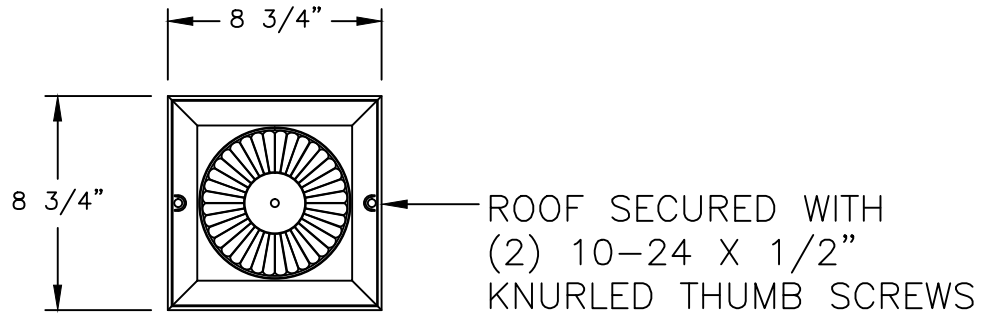
3527

3/16"=1'	DRAWN	LMG
	DRAWN DATE	FEB 24 2011
		DRAWING NUMBER

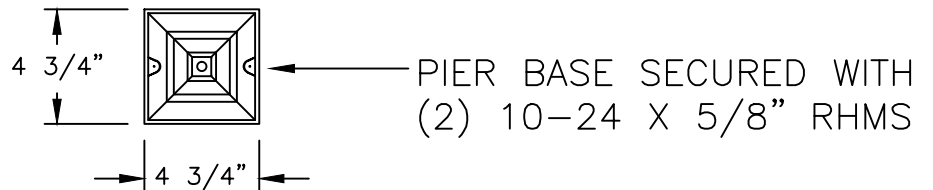
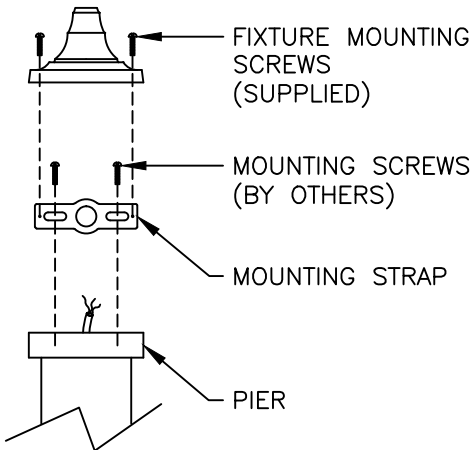
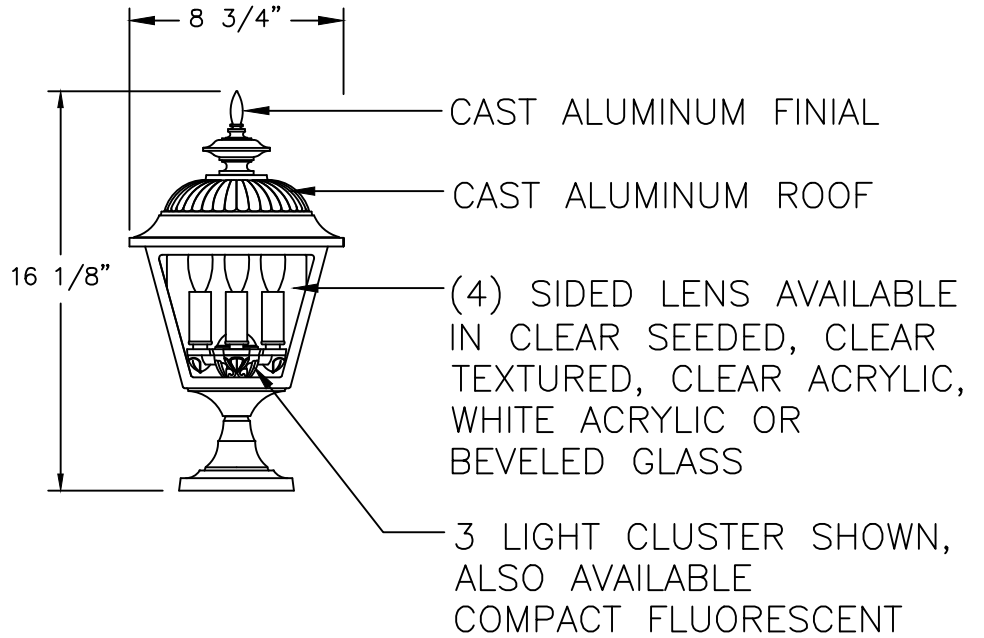
# 3535 RESIDENTIAL SERIES

ALL ELECTRICAL COMPONENTS  
ARE U.L. OR E.T.L. LISTED IN  
USA AND CANADA.

FIXTURE WILL BE PREWIRED  
AND TESTED. MOUNTING  
HARDWARE IS SUPPLIED.



MOUNTING STRAP



3535

3/16"=1'	DRAWN	LMG
	DRAWN DATE	FEB 24 2011
		DRAWING NUMBER