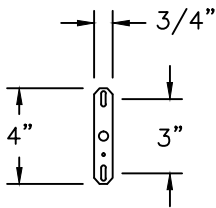


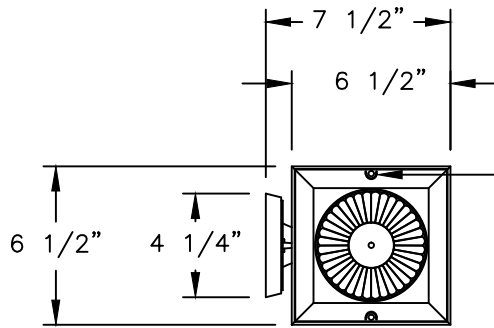
35 RESIDENTIAL SERIES

ALL ELECTRICAL COMPONENTS ARE U.L. OR E.T.L. LISTED IN USA AND CANADA.

FIXTURE WILL BE PREWIRED AND TESTED. MOUNTING HARDWARE IS SUPPLIED.

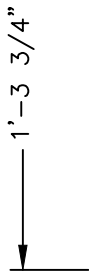


GEM BAR



ROOF SECURED WITH (2) 10-24 X 1/2" KNURLED THUMB SCREWS

1/8" BRASS CAP NUT USED TO TIGHTEN DOWN ARM TO THE GEM BAR IN THE JUNCTION BOX



1/8" X 2" BRASS NIPPLE

SCREWS INCLUDED WITH JUNCTION BOX

GEM BAR ATTACHES TO JUNCTION BOX

EXTERIOR WALL

JUNCTION BOX IN WALL NOT SUPPLIED

TALL FINIAL ALSO AVAILABLE WITH BRASS PACKAGE OR SMALL BRASS EAGLE

CAST ALUMINUM ROOF

(4) SIDED LENS AVAILABLE IN CLEAR SEEDED, CLEAR TEXTURED, CLEAR ACRYLIC, WHITE ACRYLIC OR BEVELED GLASS

SINGLE MEDIUM BASE SOCKET

CAST ALUMINUM FONT ALSO AVAILABLE WITH LONG FONT

STERNBERG

SINCE 1923

35

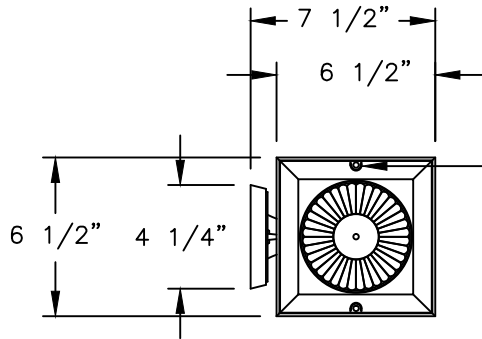
3/16"=1'

DRAWN LMG
DRAWN DATE FEB 21 2011
DRAWING NUMBER

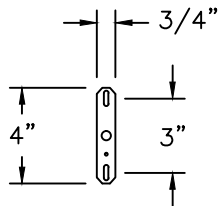
35LF RESIDENTIAL SERIES

ALL ELECTRICAL COMPONENTS ARE U.L. OR E.T.L. LISTED IN USA AND CANADA.

FIXTURE WILL BE PREWIRED AND TESTED. MOUNTING HARDWARE IS SUPPLIED.



ROOF SECURED WITH (2) 10-24 X 1/2" KNURLED THUMB SCREWS



GEM BAR

TALL FINIAL ALSO AVAILABLE WITH BRASS PACKAGE OR SMALL BRASS EAGLE

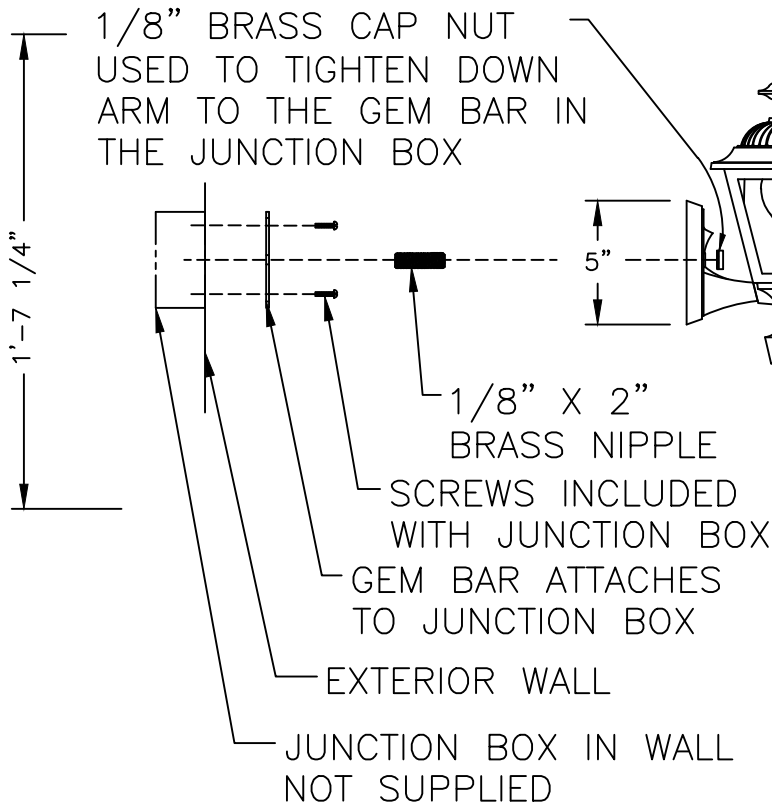
CAST ALUMINUM ROOF

(4) SIDED LENS AVAILABLE IN CLEAR SEEDED, CLEAR TEXTURED, CLEAR ACRYLIC, WHITE ACRYLIC OR BEVELED GLASS

SINGLE MEDIUM BASE SOCKET

CAST LONG FONT ALSO AVAILABLE WITH REGULAR FONT

1/8" BRASS CAP NUT USED TO TIGHTEN DOWN ARM TO THE GEM BAR IN THE JUNCTION BOX



1/8" X 2" BRASS NIPPLE
SCREWS INCLUDED WITH JUNCTION BOX
GEM BAR ATTACHES TO JUNCTION BOX

EXTERIOR WALL

JUNCTION BOX IN WALL NOT SUPPLIED



35LF

3/16"=1'	DRAWN	LMG
	DRAWN DATE	FEB 21 2011
		DRAWING NUMBER