

# 2143 MEDITERRA SERIES

# SPECIFICATIONS

## GENERAL

The 2143 Mediterra series is large scale, European styled French Colonial fixture featuring a tapered four-sided cage and roof. The four-paneled roof shall be appointed with a decorative cast aluminum cupola and ball finial with ring.

## POST FITTER

The fitter or base bottom shall be made of heavy wall aluminum, 356 alloy for high tensile strength. It shall have an inside diameter opening to accept a 3" diameter pole or tenon. When ordered with a Sternberg aluminum pole, the fitter shall be set screwed to the pole top or tenon. An access cell door is incorporated for ease of wiring.

## ELECTRICAL

Fixture shall be U.L. or E.T.L. listed in U.S. and Canada. H.I.D. ballasts shall be high power factor with lamp starting down to -30 degrees C. Medium base and mogul base porcelain sockets are 4KV rated. The ballast/socket assembly shall be pre-wired when ballast is located in the fixture. All compact fluorescent (PL) ballasts shall be instant start electronic with a starting temperature of down to 0 degrees F. They shall have a 4-pin socket to accept quad or triple tube lamps. Ballasts shall be DOE EISA compliant.

## FIXTURE HOUSING

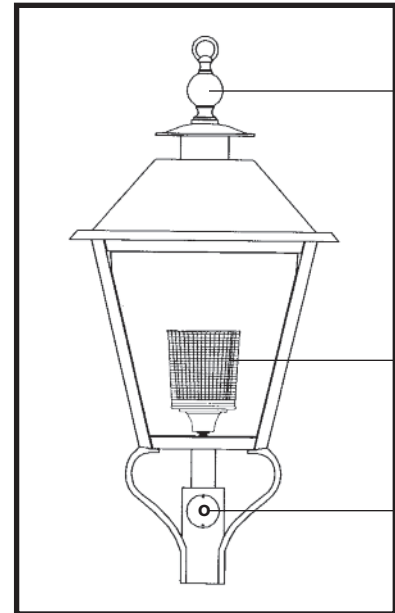
The fixture shall be 22 1/2" wide and the overall height shall be 45 3/4". It shall be made of heavy wall cast aluminum, 356 alloy and lenses will be made of vandal resistant acrylic, available in clear (CA), clear seeded (CSA), clear textured (CTA), prismatic (PA) and white (WA) acrylic. The 2143 fixture features a solid roof with edging topped with a cupola, ball finial and ring. The fixture shall have an open bottom with four legs made of aluminum. An optional closed bottom is available (Model 2143BB).

## OPTICAL OPTIONS

Refractors shall be 6" diameter borosilicate glass with an I.E.S. Type 3 (RE3) or Type 5 (RE5) distribution. It shall be secured to the socket stem with 3/8" plated steel threaded pipe nipple and rest on a cast aluminum holder with anti-shock gasket. The refractor will be secured to cast holder with a quarter-turn internal aluminum twist ring for ease of maintenance. The optional **Alzak Disc** is an optical shield to help direct light downward. It shall be 7" diameter and made of specular reflective aluminum and mounted directly above lamp.

The **NIGHTSKY® OPTI-SHIELD® Louver Optic System** (LO) shall be a multi-tier reflector with 7" diameter rings to produce an I.E.S. cut-off Type 3 or 5 distribution. The Louver Optic System shall be made of highly specular anodized aluminum and shall come standard with medium base socket.

**NIGHTSKY® STAR-SHIELD® Roof Optics** distribution shall be delivered by multi-segmented roof mounted reflector systems which eliminate uplight and provide full cut-off. The reflector cavity shall be made of specular anodized aluminum. Roof Optics Type 3 (RO3), Type 5 or (RO5) horizontal are available for medium base lamps. Roof Optics Type 2 (RO2), Type 3


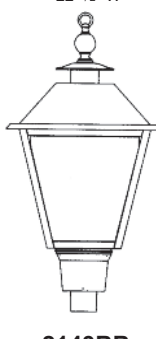
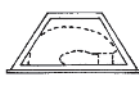
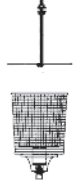
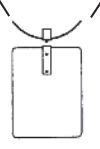

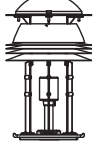

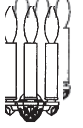


**EPA = 4.10 (ft<sup>2</sup>)**  
**WEIGHT = 33 LBS**




# 2143 MEDITERRA

# FIXTURES/ARMS PM-WB

## FIXTURES OPTICAL SYSTEMS

 <p>22 1/2" W 45 3/4" <b>2143</b></p>	 <p>22 1/2" W 43 3/4" <b>2143BB</b></p>	<p><b>ROH</b> Roof Optics Type 2, 3, 4 or 5</p>  <p><b>FHC</b> Frosted Chimney</p>	<p><b>Alzak Disc</b></p>  <p><b>RE3 RE5</b> Refractor</p>	<p>120°</p>  <p><b>HSS</b> House Side Shield</p>	 <p><b>CO3 CO5</b> Cone Optics</p>	 <p><b>LO3 LO5</b> Louver Optics</p>	 <p><b>3L</b> 3 Light</p>	 <p><b>6L</b> 6 Light</p>
--	--	---	--	--	---	---	--	--

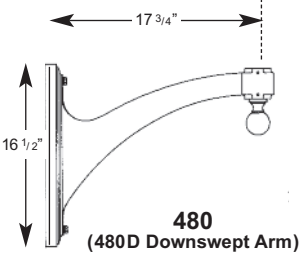
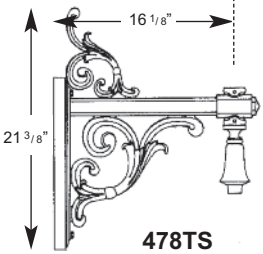
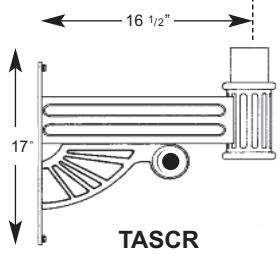
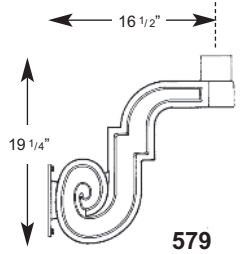
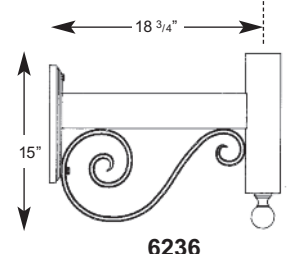
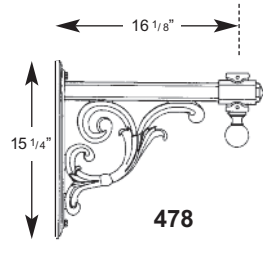
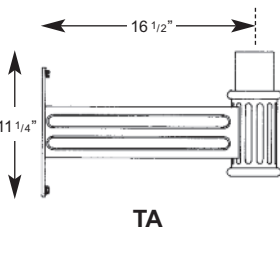
## LENSES

 <p><b>CSA</b> Clear Seeded Acrylic</p>	 <p><b>CA</b> Clear Acrylic</p>	 <p><b>CTA</b> Clear Textured Acrylic</p>	 <p><b>PA</b> Pris- matic Acrylic</p>	 <p><b>WA</b> White Acrylic</p>
--	--	--	---	--

## BALLASTED WALL MOUNTS (BB) PIER MOUNTS (PB)

 <p>Wall Ballast Box for 6236 Arm</p>	 <p>Wall Ballast Box for 478 and 480 Arms</p>	 <p><b>PB28</b> Pier Mount</p>	 <p><b>550PB</b> Pier Mount</p>	 <p>11 7/8" 4" <b>550PB</b></p>
--	--	---	--	--

## ARMS - POST MOUNT (PM) or WALL BRACKETS (WB) See Arms Section for more information

 <p>17 3/4" 16 1/2" <b>480</b> (480D Downswept Arm)</p>	 <p>16 1/8" 21 3/8" <b>478TS</b></p>	 <p>16 1/2" 17" <b>TASC</b></p>	 <p>16 1/2" 19 1/4" <b>579</b></p>
 <p>18 3/4" 15" <b>6236</b></p>	 <p>16 1/8" 15 1/4" <b>478</b></p>	 <p>16 1/2" 11 1/4" <b>TA</b></p>	

# BUILDING A PART NUMBER



## POST & ARM FIXTURES

ARM MOUNTED FIXTURE	CENTER POST TOP FIXTURE (PT)	POST	POST CAP	LIGHT SOURCE BALLAST	OPTICS	OPTIONS	LENS	FINISH
NO. OF ARMS	FIXT./FITTER/POSTARM	FIXTURE/FITTER	(See Post Section)	WATTS / TYPE / VOLTS				
2	2143/478PM	PT	3412DFP5	100HPS120	RE5	PEC1	CSA	BK



## WALL FIXTURES

FIXT./FITTER/WALLBRACKET	LIGHT SOURCE BALLAST	OPTICS	OPTIONS	LENS	FINISH
WATTS/TYPE/VOLTS					
2143/480WB	100HPS120	RE5	PEC1	CA	BK



**PIER FIXTURES**  
Uses same information boxes as wall fixture

2143BB/550PB

FIXTURE / FITTER / PIER BASE

## PART NUMBER SELECTIONS

### FIXTURES

- 2143<sup>2</sup>
- 2143BB<sup>3</sup>

### OPTICS

- RE3
- RE5
- ALZAK
- HSS
- LO3<sup>6</sup>
- LO5<sup>6</sup>
- RO3<sup>6,7</sup>
- RO5<sup>6,7</sup>
- RO2<sup>8</sup>
- RO3<sup>8</sup>
- RO4<sup>8</sup>
- RO5<sup>8</sup>
- 3L
- 6L
- FHC<sup>4</sup>
- CO3
- CO5

### LENSES

- CSA
- CA
- CTA
- PA
- WA

### POST ARMS

- 478PM
- 478TSPM
- 480PM
- 480DPM
- 6236PM
- 579PT
- TAPT
- TASCRIPT

### VOLTAGES

- 120
- 208
- 240
- 277
- MULTI (120-277)

### WALL BRACKET ARMS

- 478WB
- 478TSWB
- 480WB
- 480DWB
- 6236WB
- 579WB
- TAWB
- TASCRTWB

### WALL BRACKET ARMS WITH BALLAST BOX

- 478WBWB
- 478TSWBWB
- 480WBWB
- 6236WBWB

### PIER MOUNT

- 550PB
- PB28B

### BALLASTS<sup>5,9</sup>

- 35HPS<sup>1</sup>
- 50HPS
- 70HPS
- 100HPS
- 150HPS
- 200HPS
- 250HPS
- 50MHP
- 70MHP
- 100MHP
- 150MHP
- 175MHP<sup>10</sup>
- 200MHP
- 250MHP
- 26PLT
- 32PLT
- 42PLT
- INCAND

### LAMPS<sup>3,9</sup>

- HPS35/MED
- HPS50/MED
- HPS70/MED
- HPS100/MED
- HPS150/MED
- HPS250/MOG/ED18
- MHP50/MED
- MHP70/MED
- MHP100/MED
- MHP150/MED
- MHP175/MOG/ED28<sup>10</sup>
- MHP200/MOG/ED28
- MHP250/MOG/ED28
- PLT26
- PLT32
- PLT42

### STANDARD FINISHES\*

- BKT Black Textured
- WHT White Textured
- PGT Park Green Textured
- ABZT Architectural Medium Bronze Textured
- DBT Dark Bronze Textured

\*Smooth Finishes are available upon request

### CUSTOM FINISHES

- OI Old Iron
- RT Rust
- WBR Weathered Brown
- CD Cedar
- WBK Weathered Black
- TT Two Tone

### STERNBERG SELECT FINISHES

- VG Verde Green
- SI Swedish Iron
- OWGT Old World Gray Textured

### OPTIONS

- PEC1 Photocell-Bimetal 120 Volt
- PEC2 Photocell-Bimetal 208-277 Volt
- PEC1-E Photocell-Electronic 120 Volt
- PEC2-E Photocell-Electronic 208-277 Volt
- FHS Single Fuse and Holder-120, 277 Volt
- FHD Dual Fuse and Holder-208, 240, 480 Volt
- QR Quartz Re-Strike
- PF Pineapple Finial or Font (TA, TASCRT)
- BF Ball Finial or Font (TA, TASCRT)
- LAMPS Select from List

### NOTES:

- <sup>1</sup> 35HPS is 120 volt only.
- <sup>2</sup> Ballast is mounted in roof, wall box or pole.
- <sup>3</sup> Ballast mounted in fixture bottom.
- <sup>4</sup> MED base only when used to lamp.
- <sup>5</sup> Medium base sockets standard with ballasts up to 150 watts. Mogul base sockets are standard with ballasts 200 watts and over.
- 4-pin for PL.
- <sup>6</sup> Medium base lamp only. Consult factory for mogul base.
- <sup>7</sup> Can support PLH or PLT up to 60 watts.
- <sup>8</sup> Can support PLH or PLT up to 120 watts.
- <sup>9</sup> Metal halide systems are pulse start.
- <sup>10</sup> Consult factory for limitations.

## 2143 MEDITERRA SERIES

## SPECIFICATIONS

**LIST NO. 2143  
MEDITERRA  
SERIES**

(RO3), Type 4 (RO4) and Type 5 (RO5) are for mogul base lamps.

**Cone Optics Type 3 (CO3)** distribution or Type 5 (CO5) distribution uses a vertically mounted lamp inside a highly specular reflector system to provide a reduction of uplight with a wide lighting span.

**Frosted Glass Hurricane Chimney (FHC)** is an optic option which adds an authentic touch and can be used with Roof Optics.

**House Side Shield (HSS)** is an option which will block up to 120° of light in any one direction.

**3-Light** or **6-Light** candelabra set is an option for incandescent application.

### QUARTZ RE-STRIKE

The 2143 fixture can be supplied with an optional quartz re-strike system to retain constant fixture light if the H.I.D. lamp fails. The fixture will be equipped with a 100 watt quartz lamp and a controller to run on a 120 volt circuit and must be used in conjunction with a 120 volt or multi-tap ballast.

### PHOTOCELLS

Photocells shall be either the thermo bi-metal button type or the electronic button type. On single post top fixtures the photocell shall be mounted in the fitter and pre-wired to ballast. On multiple head fixture assemblies photocells shall be mounted in the pole shaft on an access plate and are not pre-wired as ballast housing assemblies and fitters are packaged separately for ease of wiring to source. The thermo bi-metal photocell shall be designed to turn on at 1.0 footcandle and turn off at not more than 5 footcandles. The electronic button type photocell is instant on and a 5-10 second turn off and shall turn on at 1.5 footcandles with a turn-off at 2-3 footcandles. Photocells are either 120 volt or 208 thru 277 volt.

### ARMS

All arms are made of cast aluminum and/or extruded aluminum. Arms with decorative filigree have meticulously detailed scroll work and gracefully curved brackets. All 2143 fixtures will have its fitter mechanically attached to the arms. Each arm shall be bolted to a post mount adapter, which is welded to the pole to ensure proper alignment to the base. Twin TA, TASCAR and 579 arms will be attached to a decorative center hub which will slip-fit the center tenon of the pole (not shown). Arms are pre-wired for ease of installation.

### FINISH

Prior to coating, each assembly shall be chemically cleaned and etched in a 5-stage washing system which includes alkaline cleaning, rinsing, phosphoric etching, reverse osmosis water rinsing, and non-chrome sealing to ensure corrosion resistance and excellent adhesion for the finish coating. The finish coating shall be electrostatically applied semi-gloss, super durable polyester powder baked at 400 degrees for a durable and superior, color retentive finish. Our optional antique Verde Green finish and Swedish Iron finish are hand brushed using a 3-step process. The total assembly shall be wrapped in shockproof wrapping or fully enclosed in corrugated cartons.

### WARRANTY

Five-year limited warranty. See product and finish warranty guide for details.

