

1950 MISSION TRAILS SERIES

SPECIFICATIONS

GENERAL

The 1950 Mission Trails series is a decorative full body down-light fixture which consists of a decorative cast aluminum fitter, cast ballast housing assembly, a spun aluminum full shade and lens. It has sealed and rotatable optics and is available with a Flat, Sag, Clear or Frosted Glass lens.

FITTER

The fitter shall be heavy wall cast aluminum with eight flutes, 356 alloy for high tensile strength with an average wall thickness of .250". It shall have an 9 1/4" inside diameter opening to attach to the 9" neck of the acorn/shade assembly. When ordered with a Sternberg candy cane pole, the fitter shall be welded to the arm end or tenon for safety and to ensure the fixture will be plumb, secure and level over the life of the installation. The large end of the fitter shall contain the cast ballast housing.

BALLAST HOUSING

The ballast housing shall be heavy wall cast aluminum, 356 alloy for high tensile strength. The housing shall be cast as an integral part of the fitter to prevent water entry into the ballast compartment and to ensure high capacity heat sinking of ballast temperatures, keeping the ballast cooler and ensuring long life. The ballast mounting plate shall be cast aluminum and provide tool-less removal from the housing using 2 ea finger latches.

ELECTRICAL

The fixture shall be U.L. or E.T.L. listed. H.I.D. ballasts shall be high power factor with lamp starting down to -30 degrees C. Medium base and mogul base porcelain sockets are 4KV rated. The ballast/socket assembly shall be pre-wired and located in the fitter when specified with a medium base socket. All compact fluorescent (PL) ballasts shall be instant start electronic with a starting temperature of down to 0 degrees F. They shall have a 4-pin socket to accept quad or triple tube lamps. Ballasts shall be DOE EISA compliant.

SHADE ASSEMBLY OPTIONS

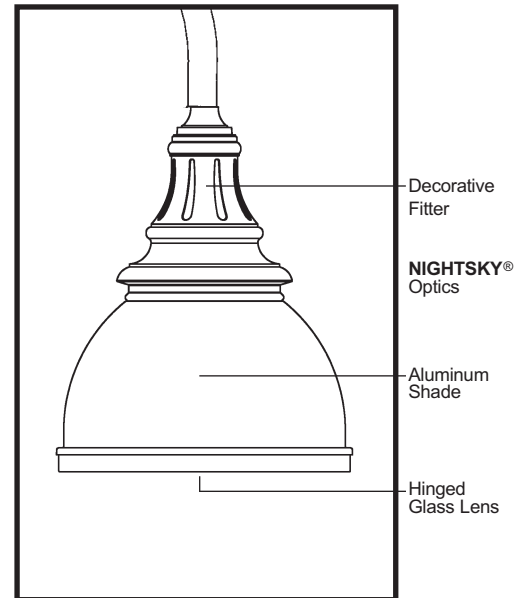
The 1950 series shall be an 19" diameter with a 1" x 18" spun aluminum hinged access door. The door will retain a flat or sag, clear tempered glass lens, gasketed and sealed to prevent insect penetration. The hinge access door shall have double stainless steel latches providing tool-less entry for ease of relamping. The fixture uses a lamp horizontally mounted for reduction of up-light.

OPTICAL OPTIONS

Distribution shall be delivered by NIGHTSKY® STAR-SHIELD® multi-segmented horizontal reflector systems, which eliminate up light. The flat lens versions provides IES Full Cut-off. The reflector cavity shall be made of specular anodized aluminum. Roof Optics Type 2 (RO2), Type 3 (RO3) or Type 5 (RO5) horizontal is available for medium base lamps. Roof Optics TYPE 2 (RO2), Roof Optics TYPE 3 (RO3), Roof Optics TYPE 4 (RO4), and Roof Optics TYPE 5 (RO5) are available for mogul base lamps.

QUARTZ RE-STRIKE

The fixture can be supplied with an optional quartz re-strike system to retain constant fixture light if



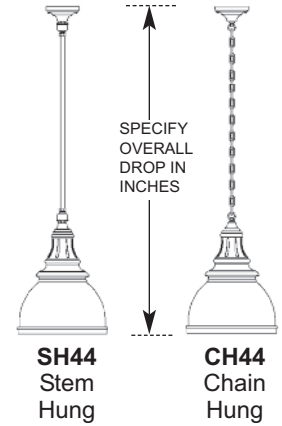
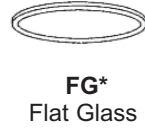
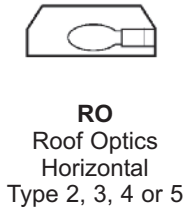
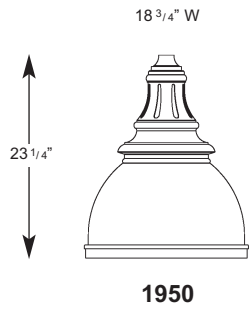
EPA = 0.87 (ft²)
WEIGHT = 20 LBS

LIST NO.
1950
MISSION
TRAILS
SERIES

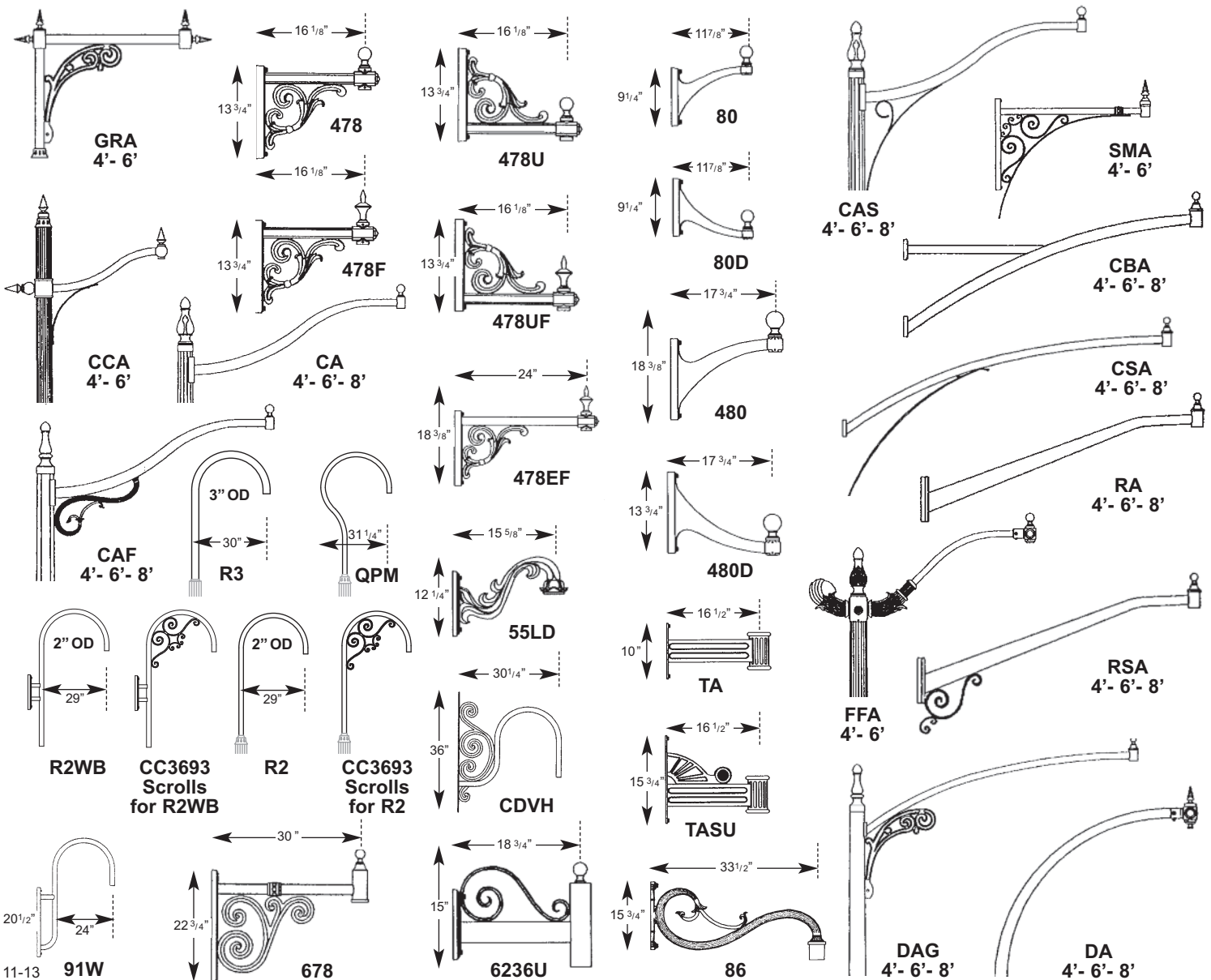
1950 MISSION TRAILS

FIXTURES / ARMS PM - WB

FIXTURES	OPTICAL SYSTEMS	LENSES	HANGING BRACKETS
----------	-----------------	--------	------------------

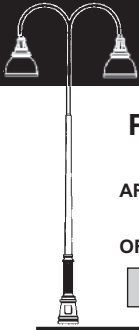


ARMS - POST MOUNT (PM) or WALL BRACKETS (WB)	See Arms Section for more information
--	---------------------------------------



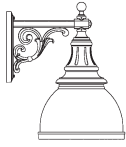
* IDA Approved Dark-Sky Friendly®

BUILDING A PART NUMBER



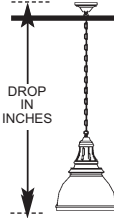
POST & ARM FIXTURES

ARM MOUNTED FIXTURE	CENTER POST TOP FIXTURE (PT)	POST	POST CAP	LIGHT SOURCE BALLAST	OPTICS	OPTIONS	FINISH
NO. OF ARMS	FIXTURE / LENS / POSTARM	FIXTURE	(See Post Section)	WATTS / TYPE / VOLTS			
2	1950FG/RPM	PT	3900RT4-12AG	100 HPS120	RO3	MHP100/MED	BK



WALL FIXTURES

FIXTURE / LENS / WALL BRACKET	LIGHT SOURCE BALLAST	OPTICS	OPTIONS	FINISH
WATTS / TYPE / VOLTS				
1950FG/478WB	100 HPS120	RO3	HPS100/MED	BK



HANGING FIXTURES

FIXTURE / LENS / HANGING BRACKET	OVERALL DROP IN INCHES	LIGHT SOURCE BALLAST	OPTICS	OPTIONS	FINISH
WATTS / TYPE / VOLTS		WATTS / TYPE / VOLTS			
1950FG/CH44	48 INCHES	100 HPS120	RO5	HPS100/MED	BK

PART NUMBER SELECTIONS AND PRICING

FIXTURES

- 1950²

OPTICS

- RO2⁴
- RO3⁴
- RO5⁴
- RO2
- RO3
- RO4
- RO5

LENSES

- FG
- FFG
- SG
- FSG

VOLTAGES

- 120
- 208
- 240
- 277
- 480
- MULTI (120-277)

POST ARMS

- 80PM
- 80DPM
- 86PM
- 480PM
- 480DPM
- 478PM
- 478FPM
- 478UPM
- 478UFPM
- TAPT
- TASUPT
- 478EFPM
- 678PM
- 55LDPM
- 6236UPM
- CDVHPM
- 91WPM
- RPM
- R2PM
- QPM
- CSA4⁵
- CSA6⁵
- CSA8⁵
- CA4⁵
- CA6⁵

POST ARMS

- CA8⁵
- CAS4⁵
- CAS6⁵
- CAS8⁵
- SMA4⁵
- SMA6⁵
- CCA4⁵
- CCA6⁵
- CAF4⁵
- CAF6⁵
- CBA4⁵
- CBA6⁵
- CBA8⁵
- RSA4⁵
- RSA6⁵
- RSA8⁵
- FFA4⁵
- FFA8⁵
- RA4⁵
- RA6⁵
- RA8⁵
- DA4⁵
- DA6⁵
- DA8⁵
- DAG4⁵
- DAG6⁵

WALL BRACKET ARMS

- 55LDWB
- 80WB
- 80DWB
- 86WB
- 91WWB
- 478WB
- 478FWB
- 478UWB
- 478UFWB
- 478EFWB
- 480WB
- 480DWB
- 678WB
- 6236UWB
- CDVHWB
- R2WB
- TAWB
- TASUWB

HANGING BRACKETS

- CH44
- SH44
- CH28
- SH28

BALLASTS^{3,7}

- 35HPS¹
- 50HPS
- 70HPS
- 100HPS
- 150HPS
- 250HPS
- 50MHP
- 70MHP
- 100MHP
- 150MHP
- 200MHP
- 250MHP
- 26PLT
- 32PLT
- 42PLT
- 57PLT
- 70PLT
- INCAND

LAMPS⁷

- HPS35/MED
- HPS50/MED
- HPS70/MED
- HPS100/MED
- HPS150/MED
- HPS250/MOG/ED18
- MHP50/MED
- MHP70/MED
- MHP100/MED
- MHP150/MED
- MHP200/MOG
- MHP250/MOG/ED28
- PLT26
- PLT32
- PLT42
- PLT57
- PLT70

FINISHES STANDARD

- BKT Black Textured
- BK Black
- VG Verde Green
- PGT Park Green Textured
- PG Park Green
- ABZT Architectural Medium Bronze Textured
- ABZ Architectural Medium Bronze
- SI Swedish Iron
- DBT Dark Bronze Textured
- DB Dark Bronze
- OWGT Old World Gray Textured
- OWG Old World Gray

FINISHES CUSTOM

- WHT White Textured
- WH White
- CV Copper Vein
- WBK Weathered Black
- WBR Weathered Brown
- CD Cedar
- RT Rust
- OI Old Iron
- TT Two Tone
- CM Custom Match

OPTIONS

- PEC1 Photocell-Bimetal 120 Volt
- PEC2 Photocell-Bimetal 208-277 Volt
- PEC1-E Photocell-Electronic 120 Volt
- PEC2-E Photocell-Electronic 208-277 Volt
- FHS Single Fuse and Holder-120,277 Volt
- FHD Dual Fuse and Holder-208,240,480 Volt
- QR Quartz Re-Strike
- PF Pineapple Finial or Font (TA, TASCRA)
- BF Ball Finial or Font (TA, TASCRA)
- CC3693 Scrolls for R2 or R3 Arm
- HS Hangstraight
- LAMPS Select from List

NOTES:

- 35HPS is 120 volt only.
- 250 watt maximum.
- Medium base sockets standard with ballasts up to 150 watts HID. Mogul base sockets are standard
- for 200 watts and over. 4-pin for PL. Medium base only.
- Add (S) Spike or (B) Ball after arm number to designate type of finial.
- Metal halide systems are pulse start.

1950 MISSION TRAILS SERIES

SPECIFICATIONS

**LIST NO.
1950
MISSION
TRAILS
SERIES**

the H.I.D. lamp fails. The fixture will be equipped with a 100 watt quartz lamp and a controller to run on a 120 volt circuit and must be used in conjunction with a 120 volt or multi-tap ballast.

PHOTOCELLS

Photocells shall be either the thermo bi-metal button type or the electronic button type. On single post top fixtures the photocell shall be mounted in the fitter and pre-wired to ballast. On multiple head fixture assemblies photocells shall be mounted in the pole shaft on an access plate and are not pre-wired as ballast housing assemblies and fitters are packaged separately for ease of wiring to source. The thermo bi-metal photocell shall be designed to turn on at 1.0 footcandle and turn off at not more than 5 footcandles. The electronic button type photocell is instant on and a 5-10 second turn off and shall turn on at 1.5 footcandles with a turn-off at 2-3 footcandles. Photocells are either 120 volt or 208 thru 277 volt.

ARMS

All arms are made of cast aluminum and/or extruded aluminum. Arms with decorative filigree have meticulously detailed scroll work and gracefully curved brackets. The fixtures shall be either welded to the arm or will be mechanically attached at the factory to ensure arms will be plumb, secure and level over the life of the installation. Each arm shall be bolted to a post mount adapter, which is welded to the pole to ensure proper alignment to the base. Arms are pre-wired for ease of installation.

FINISH

Prior to coating, each assembly shall be chemically cleaned and etched in a 5-stage washing system which includes alkaline cleaning, rinsing, phosphoric etching, reverse osmosis water rinsing and non-chrome sealing to ensure corrosion resistance and excellent adhesion for the finish coating. The finish coating shall be electrostatically applied semi-gloss, super durable polyester powder baked at 400 degrees for a durable and superior, color retentive finish. Our optional antique Verde Green finish and Swedish Iron finish are hand brushed using a 3-step process. The total assembly shall be wrapped in shockproof wrapping or fully enclosed in corrugated cartons.

WARRANTY

Five-year limited warranty. See product and finish warranty guide for details.

