



1921LED GALESBURG SERIES

LED

EPA
1.35 (ft²)
WEIGHT
75 LBS

7 YEAR
WARRANTY

LUMEN
RANGE
3,130 to
14,395

LIFE SPAN
L70
MINIMUM
100,000
HOURS

UL
LISTED

CLICK
FOR FAQ's

JOB NAME

FIXTURE TYPE

MEMO

BUILD A PART NUMBER

ORDERING EXAMPLE: **2A-1921LED-21L45T5-MDLO7-A-PEC-FHD-HSHS/CA6/6420SRTS/BKT**

Mounting Config.	Fixture	LED	CCT	Type	Driver	Lens	Option Control Receptacle	Option Control	Option Fuse	Option Hang-straight	Option House Side Shield	Arm See Arm Spec Sheets	Pole See Pole Spec Sheets	Finish

Mounting Configuration

(Click here to link to mounting configuration specification page)

- 1W • 2A90 • 4A • CH44¹
- 1A • 3A • 1AM • SH44¹
- 2A • 3A90 • 2AM

W = Wall Mount A = Arm Mount AM = Arm Mid-Mount
SH = Stern Hung CH = Chain Hung

¹ Include overall drop length in inches after designation for stern/chain application (IE: CH44 - 48")

Fixture

- 1921LED

LED

- 21L • 33L • 40L

CCT - Color Temperature (K)

- 27(00) • 35(00) • 45(00)

Type

- T2 • T3 • T4 • T5

Driver

- MDLO7 (120v-277v, 700mA)²
- MDH07 (347v-480v, 700mA)²
- MDL10 (120v-277v, 1000mA)
- MDH10 (347v-480v, 1000mA)
- MDL14 (120v-277v, 1400mA)³
- MDH14 (347v-480v, 1400mA)³

² For use with 21L system only.
³ For use with 40L system only.

Lens

- FG (Flat Glass)
- SG (Sag Glass)
- FSG (Frosted Sag Glass)
- A (Ribbed Acrylic Teardrop)
- SV1 (Flat Soft Vue Medium Diffused Acrylic)
- SV2 (Flat Soft Vue Heavy Diffused Acrylic)

Options (Click here to view accessories sheet)

- R⁴ 3-Pin control receptacle only
- R5⁴ 5-Pin control receptacle only
- R7⁶ 7-Pin control receptacle only
- PE⁵ Twist-Lock Photocontrol (120v-277v)
- PE3⁵ Twist-Lock Photocontrol (347v)
- PE4⁵ Twist-Lock Photocontrol (480v)

- SC⁵ Shorting Cap
- PEC Electronic Button Photocontrol (120v-277v)
- PEC4 Electronic Button Photocontrol (480v)
- FHD⁶ Double Fuse and Holder
- HSHS Standard horizontal hangstraight, spike finial
- HSHN Standard horizontal hangstraight, no finial
- HSHB Standard horizontal hangstraight, ball finial
- EZ Vertical hangstraight, large, "EZ" mount
- HSV Vertical hangstraight, standard
- HSS 120° House Side Shield

⁴ Only available with "HSH_" hangstraight.
⁵ Requires control receptacle.
⁶ Ships loose for installation in base.

Arm (Click here to link to arm specification page)

See Arms & Wall Brackets specification sheets.

- 480 • CDVH • CA • CAF • RA
- 478 • 91W • CAS • CBA • DAG
- 678 • R2⁷ • CSA • RSA
- 6236U • R3⁷ • SMA • FFA

⁷ Luminaires above grade height to be 2' higher than pole height, REQUIRES "EZ" hangstraight.

Pole (Click here to link to pole specification page)

See Pole specification sheets.

Finish

Standard Finishes⁸

- BKT Black Textured
- WHT White Textured
- PGT Park Green Textured
- ABZT Architectural Medium Bronze Textured
- DBT Dark Bronze Textured

⁸ Smooth finishes are available upon request.

Custom Finishes⁹

- CM Custom Match
- OI Old Iron
- RT Rust
- WBR Weathered Brown
- CD Cedar
- WBK Weathered Black
- TT Two Tone

⁹ Custom colors require upcharge.

Sternberg Select Finishes

- VG Verde Green
- SI Swedish Iron
- OWGT Old World Gray Textured

Specifications

Fixture

The luminaire shall be 17" wide and 31-3/8" tall. It shall be made of heavy wall cast aluminum alloy. The Luminaire shall be UL listed in the US and Canada.

LEDs

The luminaire shall use high output, high brightness LED's. They shall be mounted in arrays, on printed circuit boards designed to maximize heat transfer to the heat sink surface. The arrays shall be roof mounted to minimize up-light. The LED's and printed circuit boards shall be 100% recyclable, they shall also be protected from moisture and corrosion by a conformal coating of 1 to 3 mils. They shall not contain lead, mercury or any other hazardous substances and shall be RoHS compliant. The LED life rating data shall be determined in accordance with IESNA LM-80. They shall operate in a -40°C (-40°F) to +50°C (122°F) ambient air temperature range. The High Performance white LED's will have a life expectancy of approximately 100,000 hours with not less than 70% of original brightness (lumen maintenance), rated at 25°C. The High Brightness, High Output LED's shall be 4500K (3500K or 2700K option) color temperature with a minimum CRI of 70. Consult factory for custom color CCT. The luminaire shall have a minimum _____ (see table) delivered initial lumen rating when operated at steady state with an average ambient temperature of 25°C (77°F).

See next page

1921LED GALESBURG SERIES

LED

Optics

The luminaire shall be provided with individual acrylic, refractor type optics applied to each LED. The luminaire shall provide Type _____ (2, 3, 4, or 5) light distribution per the IESNA classifications. Testing will be done in accordance with IESNA LM-79.

Electronic Drivers

The LED driver shall be U.L. Recognized. It shall be securely mounted inside the fixture, for optimized performance and longevity. It shall be supplied with a quick-disconnect electrical connector on the power supply, providing easy power connections and fixture installation. It shall have overload, overheat and short circuit protection, and have a DC voltage output, constant current design, 50/60HZ. It shall be supplied with line-ground, line-neutral and neutral-ground electrical surge protection in

accordance with IEEE/ANSI C62.41.2 guidelines. It shall be a high efficiency driver with a THD less than 20% and a high power factor greater than .9. It shall be dimming capable using a 0-10v signal, consult factory for more information.

Photocontrol Options

Button Style: On a single assembly the photocontrol shall be mounted on the fixture and pre-wired to driver. On multiple head assembly's the photocontrol shall be mounted in the pole shaft on an access plate. The electronic button type photocontrol is instant on with a 5-10 second turn off, and shall turn on at 1.5 footcandles with a turn-off at 2-3 footcandles. Photocontrol is 120-277 volt and warranted for 6 years.

Twist-Lock Style: The photocontrol shall be mounted on the hang-straight and pre-wired to driver. The twist lock type photocontrol is

instant on with a 3-6 second turn off, and shall turn on at 1.5 footcandles with a turn-off at 2-3 footcandles. Photocontrol is 120-277 volt and warranted for 6 years.

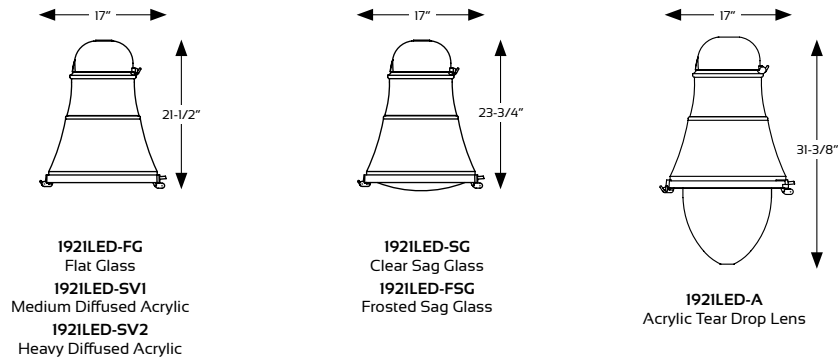
Warranty

Seven-year limited warranty. See product and finish warranty guide for details.

Finish

Refer to website for details.

Fixtures



Performance

Initial Delivered Lumen Data ("A" Lens)

Light Source	T2 DELIVERED LUMENS	EFFICACY (LPW)	T3 DELIVERED LUMENS	EFFICACY (LPW)	T4 DELIVERED LUMENS	EFFICACY (LPW)	T5 DELIVERED LUMENS	EFFICACY (LPW)	WATT-AGE
40L27T_-MDL14	10950	58.2	11295	60.1	11370	60.5	10930	58.2	188
40L35T_-MDL14	12890	68.6	13295	70.7	13390	71.2	12870	68.5	188
40L45T_-MDL14	13860	73.7	14295	76.0	14395	76.6	13840	73.6	188
40L27T_-MDL10	8820	62.1	9163	64.5	8990	63.3	9850	69.4	142
40L35T_-MDL10	10380	73.1	10785	76.0	10585	74.6	11595	81.7	142
40L45T_-MDL10	11165	78.6	11595	81.7	11380	80.2	12470	87.8	142
33L27T_-MDL10	7430	63.0	7010	59.4	6705	56.9	7470	63.3	118
33L35T_-MDL10	8745	74.1	8255	70.0	7895	66.9	8795	74.6	118
33L45T_-MDL10	9405	79.7	8875	75.2	8490	72.0	9460	80.2	118
21L27T_-MDL10	4855	61.5	4455	56.4	4385	55.5	4920	62.3	79
21L35T_-MDL10	5720	72.4	5245	66.4	5165	65.4	5795	73.4	79
21L45T_-MDL10	6150	77.9	5640	71.4	5550	70.3	6230	78.9	79
21L27T_-MDL07	3450	71.9	3130	65.3	3200	66.8	3495	72.9	48
21L35T_-MDL07	4060	84.6	3685	76.9	3770	78.6	4115	85.8	48
21L45T_-MDL07	4365	91.0	3965	82.6	4055	84.5	4425	92.3	48