



1912-XRLED SUMMIT SERIES

LED

EPA
1.09 (ft²)
WEIGHT
33 LBS

5 YEAR
WARRANTY

LUMEN
RANGE
1,460 to
4,625

LIFE SPAN
L70
MINIMUM
50,000
HOURS

UL
LISTED

CLICK
FOR FAQ'S

JOB NAME

FIXTURE TYPE

MEMO

BUILD A PART NUMBER

ORDERING EXAMPLE: **2A-1912-XRLED-12L45T5-MDL14-SV1-PEC-HSHN/CAS4/4212FP4/BKT**

Mounting Config.	Fixture	LED	CCT	Type	Driver	Lens	Option Shade	Option Control Receptacle	Option Control	Option Fuse	Option Hangstraight	Arm <small>See Arm Spec Sheets</small>	Pole <small>See Pole Spec Sheets</small>	Finish

Mounting Configuration

(Click here to view mounting configuration sheet)

- 1W • 3A • 2AM
- 1A • 3A90 • SH44¹
- 2A • 4A • CH44¹
- 2A90 • 1AM

W = Wall Mount A = Arm Mount AM = Arm Mid-Mount
SH = Stem Hung CH = Chain Hung

¹ Include stem/chain length in inches after designation (IE: CH44-36")

Fixture

- 1912

LED

- XRLED-9L • XRLED-12L

CCT - Color Temperature (K)

- 45(00) • 35(00) • 27(00)

Type

- T2 • T3 • T4 • T5

Driver

- MDL07 (120v-277v, 700Ma)²
- MDL14 (120v-277v, 1400Ma)
- MDH07 (347v-480v, 700Ma)²
- MDH14 (347v-480v, 1400Ma)

² For use with 9L system only.

Lens

- FG (Flat Glass)
- SG (Sag Glass)
- FSG (Frosted Sag Glass)
- SV1 (Flat Soft Medium Diffused Acrylic)
- SV2 (Flat Soft Heavy Diffused Acrylic)
- G3³ (Type 3 glass prismatic teardrop)
- G5³ (Type 5 glass prismatic teardrop)
- A3³ (Type 3 acrylic prismatic teardrop)
- A5³ (Type 5 acrylic prismatic teardrop)

³ Use T5 LED optic when using a PRISMATIC TEARDROP lens.

Options (Click here to view accessories sheet)

- RLM27 27" spun aluminum shade
- R⁴ 3-Pin control receptacle only
- R5⁴ 5-Pin control receptacle only
- R7⁴ 7-Pin control receptacle only
- PE⁵ Twist-Lock Photocontrol (120v-277v)
- PE3⁵ Twist-Lock Photocontrol (347v)

- PE4⁵ Twist-Lock Photocontrol (480v)
- SC⁵ Shorting Cap
- PEC Electronic Button Photocontrol (120v-277v)
- PEC4 Electronic Button Photocontrol (480v)
- FHD⁶ Double Fuse and Holder
- HSHS Standard Horizontal Hangstraight, Spike Finial
- HSHN Standard Horizontal Hangstraight, No Finial
- HSHB Standard Horizontal Hangstraight, Ball Finial
- EZ Vertical hangstraight, large, "EZ" mount
- HSV Vertical hangstraight, standard

⁴ For use with "HSH-" hangstraights only.

⁵ Requires control receptacle.

⁶ Ships loose for installation in base.

Arm (Click here to link to arm specification page)

See Arms & Wall Brackets specification sheets.

- 80 • 478E • R2⁷ • SMA • RA
- 86 • 678 • R3⁷ • CCA • DA
- 480 • 55LD • Q • CAF • DAG
- 478 • 6236U • CA • CBA
- TA • CDVH • CAS • RSA
- TASU • 9IW • CSA • FFA

⁷ Luminaires above grade height to be 2" higher than pole height, REQUIRES "EZ" hangstraight.

Pole (Click here to link to pole specification page)

See Pole specification sheets.

Finish

Standard Finishes⁸

- BKT Black Textured
- WHT White Textured
- PGT Park Green Textured
- ABZT Architectural Medium Bronze Textured
- DBT Dark Bronze Textured

⁸ Smooth finishes are available upon request.

Custom Finishes⁹

- CM Custom Match
- OI Old Iron
- RT Rust
- WBR Weathered Brown
- CD Cedar
- WBK Weathered Black
- TT Two Tone

⁹ Custom colors require upcharge.

Sternberg Select Finishes

- VG Verde Green
- SI Swedish Iron
- OWGT Old World Gray Textured

Specifications

Fixture

The 1912 Summit series is a medium scale decorative downlight fixture which consists of cast aluminum components. Its dome housing shall have 4 decorative wide band vertical ribs matching the ribs on the cup on its upper section. The luminaire is available with a variety of lenses, also available with an optional 27" shade. The Luminaire shall be UL listed in US and Canada.

LED's

The luminaire shall use high output, high brightness LED's. They shall be mounted in arrays, on printed circuit boards designed to maximize heat transfer to the heat sink surface. The arrays shall be downward facing to minimize up-light. The LED's and printed circuit boards shall be 100% recyclable, they shall also be protected from moisture and corrosion by a conformal coating of 1 to 3 mils. They shall not contain lead, mercury or any other hazardous substances and shall be RoHS compliant. The LED life rating data shall be determined in accordance with IESNA LM-80. They shall operate in a -40°C (-40°F) to +50°C (122°F) ambient air temperature range. The High Performance white LED's will have a life expectancy of approximately 50,000 hours with not less than 70% of original brightness (lumen maintenance), rated at 25°C. The High Brightness, High Output LED's shall be 4500K (3500K or 2700K option) color temperature with a typical of 70 CRI. Consult factory for custom color CCT. The luminaire shall have a minimum _____ (see table) delivered initial lumen rating when operated at steady state with an average ambient temperature of 25°C (77°F).

Optics

The luminaire shall be provided with individual, refractor type optics applied to each LED. The luminaire shall provide Type ____ (2, 3, 4 or 5) light distribution per the IESNA classifications. Testing shall be done in accordance with IESNA LM-79.

See next page

Electronic Drivers

The LED driver shall be U.L. Recognized. It shall be securely mounted inside the fixture, for optimized performance and longevity. It shall be supplied with a quick-disconnect electrical connector on the power supply, providing easy power connections and fixture installation. It shall have overload as well as short circuit protection, and have a DC voltage output, constant current design, 50/60HZ. It shall be supplied with line-ground, line-neutral and neutral-ground electrical surge protection in accordance with IEEE/ANSI C62.41.2 guidelines. It shall be dimmable using a 0-10v signal.

For sources over 50w: The driver shall have a minimum efficiency of 90%. The driver shall be rated at full load with THD<20% and a power factor of greater than 0.90. The driver shall contain over-heat protection which reduces output to less than half rating if the case temperature reaches 85°C.

For sources under 50w: The driver shall have a minimum efficiency of 88%.

Photocontrols

Button Style: On a single assembly the photocontrol shall be mounted on the fixture and pre-wired to driver. On multiple head assembly's the photocontrol shall be mounted in the pole shaft on an access plate. The electronic button type photocontrol is instant on with a 5-10 second turn off, and shall turn on at 1.5 footcandles with a turn-off at 2-3 footcandles. Photocontrol is 120-277 volt and warranted for 6 years.

Twist-Lock Style: The photocontrol shall be mounted on the hang-straight and pre-wired to driver. The twist lock type photocontrol is instant on with a 3-6 second turn off, and shall turn on at 1.5 footcandles with a turn-off at 2-3 footcandles. Photocontrol is 120-277 volt and warranted for 6 years.

Warranty

Five-year limited warranty. See product and finish warranty guide for details.

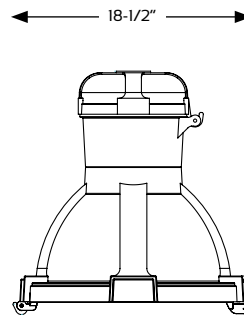
Finish

Refer to website for details.

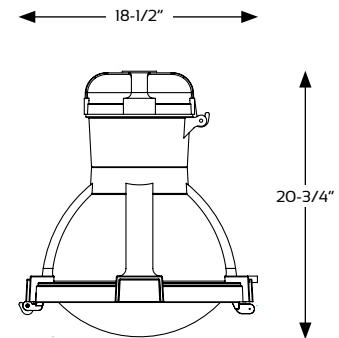
Performance (Based on FG Lens)

LIGHT SOURCE	T2 DELIVERED LUMENS	EFFICACY (LPW)	T3 DELIVERED LUMENS	EFFICACY (LPW)	T4 DELIVERED LUMENS	EFFICACY (LPW)	T5 DELIVERED LUMENS	EFFICACY (LPW)	WATTAGE
12L27T_-MDL14	3560	61.4	3485	60.1	3490	60.2	3465	59.7	58
12L35T_-MDL14	4270	73.6	4185	72.2	4190	72.2	4155	71.6	58
12L45T_-MDL14	4625	79.7	4530	78.1	4540	78.3	4505	77.7	58
09L27T_-MDL14	2750	31.1	2590	57.6	2580	57.3	2915	64.8	45
09L35T_-MDL14	3300	73.3	3110	69.1	3095	68.8	3500	77.8	45
09L45T_-MDL14	3575	79.4	3365	74.8	3355	74.6	3790	84.2	45
09L27T_-MDL07	1575	75.0	1460	69.5	1465	69.8	1690	80.5	21
09L35T_-MDL07	1890	90.0	1755	83.6	1760	83.8	2030	96.7	21
09L45T_-MDL07	2050	97.6	1900	90.5	1905	90.7	2200	104.8	21

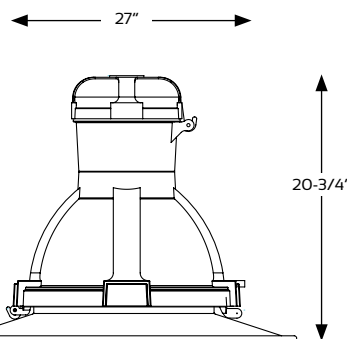
Fixtures



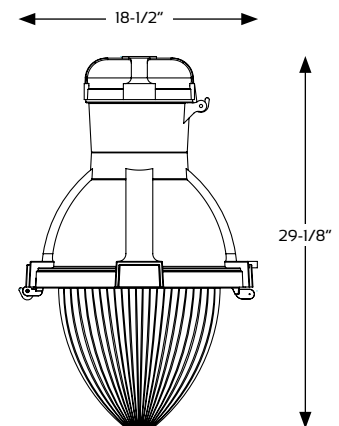
1912-SV1
Flat Soft Vue Medium
Diffused Lens



1912-SG
Sag Glass Lens



1912-SV1-RLM27
Flat Soft Vue Medium
Diffused Lens,
27" Spun Aluminum Shade



1912-A5
Type 5 Acrylic Prismatic
Teardrop Lens