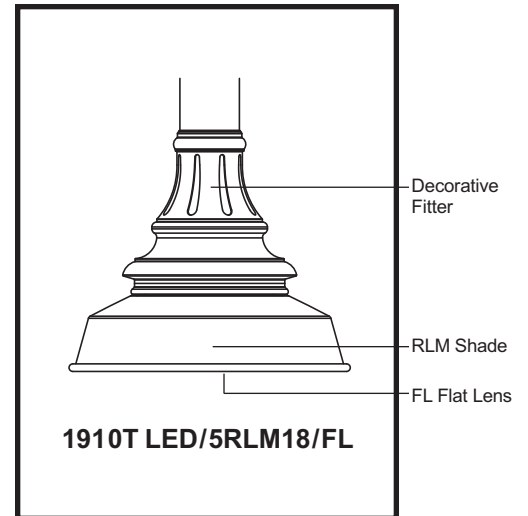


1910T LED/5RLM PARK RIDGE TURTLE SERIES SPECIFICATIONS

LUMINAIRE DESIGN

- The luminaire shall be a decorative downlight fixture which consists of a decorative cast aluminum fitter, a spun aluminum shade and lens.
- The luminaire shall have LED light sources with down-lighting optics.
- The luminaire shall be supplied with line-ground, line-neutral and neutral-ground electrical surge protection in accordance with IEEE/ANSI C62.41.2 guidelines.
- The luminaire shall be U.L. or E.T.L. Listed in U.S. and Canada.

**POST FITTER**

- The fitter shall be heavy wall cast aluminum for high tensile strength.
- The fitter shall have an inside diameter opening of 9 1/4" to accept the RLM/LED assembly.
- The large end of the fitter shall have four (4) stainless steel, allen head set screws which secure the RLM/LED assembly.
- When ordered with a Sternberg candy cane pole, the fitter shall be welded to the arm or tenon for safety and to ensure the luminaire will remain plumb and level over the luminaire lifetime.

DRIVER

- The LED driver shall be securely mounted inside the fitter to provide high capacity heat sinking for driver temperatures.
- Combination Amber / White will be standard with separate power supply lines, one for Amber operation and the second for White light operation. An optional selector switch is available.
- Each LED driver shall be supplied with a quick-disconnect electrical connector on the power supply, providing easy power connections and fixture installation.

LIGHT SOURCES

- The luminaire shall use high output, high brightness Amber LEDs. (OPTION: Amber and White).
- The LEDs shall be mounted in arrays, on printed circuit boards designed to maximize heat transfer to the heat sink surface.
- The LEDs shall be attached to the printed circuit board with not less than 90% pure silver to insure optimal electrical and thermal conductivity.
- The LEDs and printed circuit boards shall be protected from moisture and corrosion by a conformal coating of 1 to 3 mils.
- The LEDs and printed circuit board construction shall be environmentally friendly and 100% recyclable. They shall not contain lead, mercury or any other hazardous substances and shall be RoHS compliant.
- The LED life rating shall be determined in accordance with IESNA LM-80-08.

LIST NO. 1910T
LED/5RLM
PARK RIDGE
TURTLE
SERIES

1910T LED/5RLM PARK RIDGE TURTLE SERIES SPECIFICATIONS

LIST NO. 1910T OPTICS
LED/5RLM
PARK RIDGE
TURTLE
SERIES

- The luminaire shall be provided with individual, acrylic, refractor type optics applied to each LED.
- The luminaire shall provide Type ____ (III or V) light distribution per the IESNA classifications.
- Testing shall be done in accordance with IESNA LM-79-08.

PERFORMANCE

- The LED arrays are built in series-parallel circuits which maintain overall light output in the event of single LED failures.
- The 1910LED/RLM/FL luminaire shall meet the requirements for 0% uplight
- The LEDs and LED driver shall operate over a -40°C (-40°F) to +50°C (122°F) ambient air temperature range.
- The high performance LEDs will have a life expectancy of approximately 70,000 hours with not less than 70% of original brightness (lumen maintenance), rated at 25°C.
- The high performance Amber LEDs will have a dominant wave length of 585-595 nm.
- The high brightness White LEDs shall be 4500K (3500K or 6300K options) color temperature with a minimum of 75 CRI.
- The luminaire shall have a minimum _____ (see table) delivered Amber lumen rating (OPTION: and _____ delivered White lumen rating) when operated at steady state with an average ambient temperature of 25°C (77°F).

AMBER Light Source	WHITE Light Source Lumens	AMBER Delivered	Watts Lumens	WHITE Delivered	Watts
3ARCAMT5		1200	48		
1RNDAMT5		870	30		
3ARCAMT5	1RND63T5	1200	48	1995	30
3ARCAMT5	1RND45T5	1200	48	1750	30
3ARCAMT5	1RND35T5	1200	48	1529	30
3ARCAMT3		1165	48		
1RNDAMT3		840	30		
3ARCAMT3	1RND63T3	1165	48	1929	30
3ARCAMT3	1RND45T3	1165	48	1692	30
3ARCAMT3	1RND35T3	1165	48	1479	30

1910T LED/5RLM PARK RIDGE TURTLE SERIES SPECIFICATIONS**LIST NO. 1910T ELECTRONIC DRIVERS - ALL****LED/5RLM
PARK RIDGE
TURTLE
SERIES**

- The driver shall be U.L. Recognized.
- The driver shall have overload as well as short circuit protection.
- The driver shall be a DC voltage output, constant current design, 50/60HZ.

For 3ARC thru 4AIR LED Sources

- The driver shall have a minimum efficiency of 90%.
- The driver shall be rated at full load with THD<20% and a power factor of greater than 0.90.
- The driver shall contain over-heat protection which reduces output to less than half rating if the case temperature reaches 85°C.

For 1RND LED Sources

- The driver shall have a minimum efficiency of 85%.

LENS and RLM SHADES

- The flat lens shall be made of _____ (vandal resistant, UV stabilized, clear textured polycarbonate or dent resistant (DR) clear textured acrylic).
- The flat lens /RLM assembly shall include a cast aluminum heat sink which has been optimized to provide maximum life and performance for the LED light sources.
- The flat lens shall be sealed to the RLM/heat sink assembly to provide a moisture-free and bug-free optics chamber for the LED light sources.
- The RLM shade shall be made of a minimum 0.100" thick, spun aluminum and have an outside diameter of 18" (Model 1910TLED/5RLM18) or 24" (Model 1910TLED/5RLM24).

ARMS

- The arms shall be cast aluminum and/or extruded aluminum.
- Arms with decorative filigree shall have meticulously detailed scroll work and gracefully curved brackets.
- The fitter shall be either welded or mechanically attached at the factory to ensure arms will be plumb, secure and level for the life of the installation.
- Each arm shall be bolted to a post mount adaptor which is welded to the pole, ensuring proper alignment to the base.
- Each arm shall be pre-wired for ease of installation.

1910T LED/5RLM PARK RIDGE TURTLE SERIES SPECIFICATIONS

**LIST NO. 1910T
LED/5RLM
PARK RIDGE
TURTLE
SERIES**

PHOTOCELL OPTIONS**Bi-metal Button Cell Type**

- Photocells shall be thermo bi-metal button type.
 - On single fixtures, the photocell shall be mounted in the fitter and pre-wired to the driver.
 - On multiple head fixtures, the photocell shall be mounted in the pole, on an access plate.
- The photocell is not pre-wired since drivers are mounted in the fitters and packaged separately.
- The photocell shall turn on at 1.0 foot-candle and turn off at not more than 5 foot-candles.
 - The photocell is 120V or 208-277 volt.

Electronic Button Cell Type

- Photocells shall be electronic button type.
 - On single fixtures, the photocell shall be mounted in the fitter and pre-wired to the driver.
 - On multiple head fixtures, the photocell shall be mounted in the pole, on an access plate.
- The photocell is not pre-wired since drivers are mounted in the fitters and packaged separately.
- The photocell is instant-on at 1.5 foot-candles and turns off 5-10 seconds at 2-3 foot-candles.
 - The photocell is 120V or 208-277 volt.

FINISH

- Prior to coating, the luminaire shall be chemically cleaned and etched in a 5-stage washing system which includes alkaline cleaning, rinsing, phosphoric etching, reverse-osmosis water rinsing and non-chrome sealing to ensure corrosion resistance and excellent adhesion for the finish coat.
- The finish coat shall be an electrostatically applied semi-gloss, super durable polyester powder coat, baked on at 400°F, to provide a durable, color retentive finish.
- *The optional _____ (Verde Green or Swedish Iron) finish shall be hand-brushed using a 3-step process.

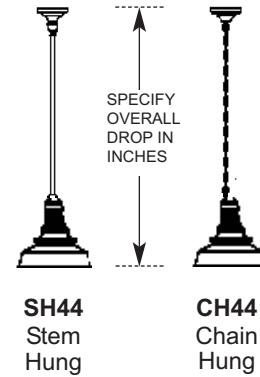
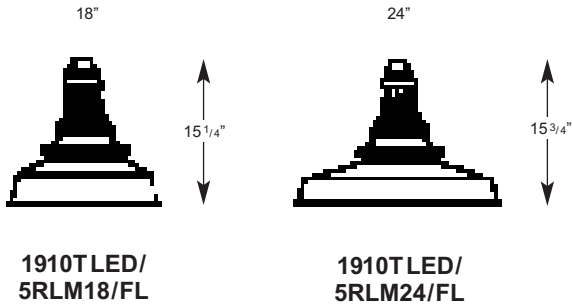
WARRANTY

- The luminaire shall be free from all defects in materials and workmanship for a period of seven (7) years from the date of manufacture.
- The luminaire manufacturer shall warrant the LED boards/system, during the stated warranty period, against failure defined as more than three (3) simultaneous non-operating LEDs.
- The driver shall be warranted for seven (7) years.

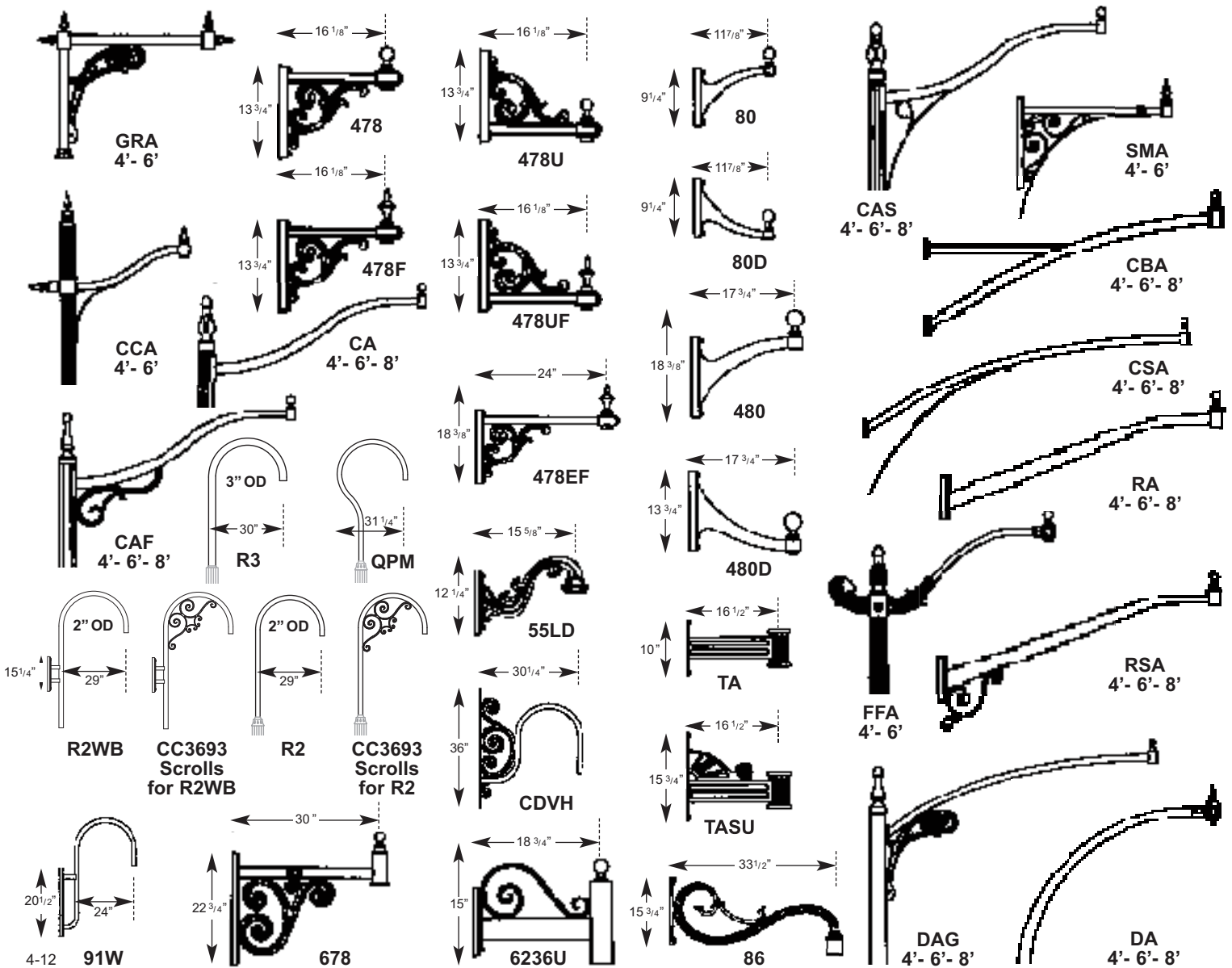
1910T LED/5RLM PARK RIDGE TURTLE

FIXTURES / ARMS PM - WB

FIXTURES **HANGING BRACKETS**



ARMS - POST MOUNT (PM) or WALL BRACKETS (WB) See Arms Section for more information





BUILDING A PART NUMBER

POST & ARM FIXTURES

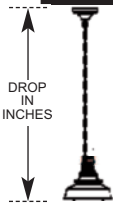
ARM MOUNTED FIXTURE	CENTER POST TOP FIXTURE (PT)	POST	POST CAP	AMBER LIGHT SOURCE	WHITE LIGHT SOURCE	DRIVER	OPTIONS	FINISH
NO OF ARMS	FIXTURE / POST ARM	FIXTURE	(See Post Section)					
2	1910TLED/5RLM18/FL/RPM	PT		3900RT4/12AG		3ARCAMT5(A)		ML
								BK

WALL FIXTURES



FIXTURE / WALL BRACKET	AMBER LIGHT SOURCE	WHITE LIGHT SOURCE	DRIVER	OPTIONS	FINISH
1910TLED/5RLM18/FL/478WB	3ARCAMT3(A)	1RND45T3	ML		BK

HANGING FIXTURES



FIXTURE / HANGING BRACKET	OVERALL DROP IN INCHES	AMBER LIGHT SOURCE	WHITE LIGHT SOURCE	DRIVER	OPTIONS	FINISH
1910TLED/5RLM18/FL/CH44	48 INCHES	3ARCAMT3(A)	1RND45T3	ML		BK

PART NUMBER SELECTIONS

FIXTURES

- 1910TLED/5RLM18/FL
- 1910TLED/5RLM24/FL

DRIVERS

- ML - 120-277
- MH - 347-480
- MDL - Dimming 120-277
- MDH - Dimming 347-480

POST ARMS

- 80PM
- 80DPM
- 86PM
- 480PM
- 480DPM

OPTIONS

- PEC1 Photocell-Bimetal 120 Volt
- PEC2 Photocell-Bimetal 208-277 Volt
- PEC1-E Photocell-Electronic 120 Volt
- PEC2-E Photocell-Electronic 208-277V
- FHD Dual Fuse & Holder
- PF per arm Pineapple Finial or Font (For TA, TASC)

POST ARMS

- 478PM
- 478FPM
- 478UPM
- 478UFPM
- TAPT
- TASUPT
- 478EFPM
- 678PM
- 55LDPM
- 6236UPM
- CDVHPM
- 91WPM
- RPM
- R3PM
- QPM
- CSA4¹
- CSA6¹
- CSA8¹
- CA4¹
- CA6¹
- CA8¹
- CAS4¹
- CAS6¹
- CAS8¹

POST ARMS

- SMA4¹
- SMA6¹
- CCA4¹
- CCA6¹
- CAF4¹
- CAF6¹
- CBA4¹
- CBA6¹
- CBA8¹
- RSA4¹
- RSA6¹
- RSA8¹
- FFA4¹
- FFA8¹
- RA4¹
- RA6¹
- RA8¹
- DA4¹
- DA6¹
- DA8¹
- DAG4¹
- DAG6¹

1 Add (S) Spike or (B) Ball after arm to designate type of finial.

WALL BRACKET ARMS

- 55LDWB
- 80WB
- 80DWB
- 86WB
- 91WWB
- 478WB
- 478FWB
- 478UWB
- 478UFWB
- 478EFWB
- 480WB
- 480DWB
- 678WB
- 6236UWB
- CDVHWB
- R2WB
- TAWB
- TAHSUWB

HANGING BRACKETS

- CH44
- SH44

AMBER LIGHT SOURCES T5

- 3ARCAMT5 (A) 48W, Type V Optics
- 1RNDAMT5 (A) 30W, Type V Optics

DUAL LIGHT SOURCES T5

- 3ARCAMT5 (A) 48W, Type V Optics
- 1RND45T5 (W) 30W, (4500K) Type V Optics
- 3ARCAMT5 (A) 48W, Type V Optics
- 1RND35T5 (W) 30W, (3500K) Type V Optics

AMBER LIGHT SOURCES T3

- 3ARCAMT3 (A) 48W, Type III Optics
- 1RNDAMT3 (A) 30W, Type III Optics

DUAL LIGHT SOURCES T3

- 3ARCAMT3 (A) 48W, Type III Optics
- 1RND63T3 (W) 30W, (6300K) Type III Optics
- 3ARCAMT3 (A) 48W, Type III Optics
- 1RND45T3 (W) 30W, (4500K) Type III Optics
- 3ARCAMT3 (A) 48W, Type III Optics
- 1RND35T3 (W) 30W, (3500K) Type III Optics

FINISHES STANDARD

- BKT Black Textured
- BK Black
- VG Verde Green
- PGT Park Green Textured
- PG Park Green
- ABZT Architectural Medium Bronze Textured
- ABZ Architectural Medium Bronze
- SI Swedish Iron
- DBT Dark Bronze Textured
- DB Dark Bronze
- OWGT Old World Gray Textured
- OWG Old World Gray

FINISHES CUSTOM

- WHT White Textured
- WH White
- CV Copper Vein
- WBK Weathered Black
- WBR Weathered Brown
- CD Cedar
- RT Rust
- OI Old Iron
- TT Two Tone
- CM Custom Match