

1910LEDLB / LBL LAKE BLUFF SERIES

LED

EPA
0.74 (ft²)
WEIGHT
17 LBS

7 YEAR
WARRANTY

LUMEN
RANGE
1890 to
7015

LIFE
SPAN
L70
MINIMUM
100,000
HOURS

UL
LISTED

CLICK
FOR FAQ'S

JOB NAME _____

FIXTURE TYPE _____

MEMO _____

BUILD A PART NUMBER

ORDERING EXAMPLE: **2A-1910LEDLB-5P-4AIR45T5-MDHO3-A-PEC-FHD-EZ/R2/3912T4/BKT**

Mounting Config.	Fixture	Fitter	LED	CCT	Type	Driver	Lens	Option Control Receptacle	Option Control	Option Fuse	Option Hang-straight	Arm See Arm Spec Sheets	Pole See Pole Spec Sheets	Finish

Mounting Configuration

(Click here to link to mounting configuration specification page)

- 1W • 2A90 • 4A • CH44¹
- 1A • 3A • 1AM • SH44¹
- 2A • 3A90 • 2AM

W = Wall Mount A = Arm Mount AM = Arm Mid-Mount
SH = Stem Hung CH = Chain Hung

¹ Include overall drop length in inches after designation for Stem/Chain application (IE: CH44-48").

Fixture

- 1910LEDLB • 1910LEDLBLE

Fitter

- 5P

LED

- 4AIR • 3AIR • 4ARC • 3ARC • IRND

CCT - Color Temperature (K)

- 45(00) • 35(00) • 27(00)

Type

- T5

Driver

- MDLO3 (120V-277V, 350mA)
- MDHO3 (347V-480V, 350mA)

Lens

- A (Acrylic) • P (Polycarbonate)

Options (Click here to view accessories sheet)

- R7² 7-Pin control receptacle only
- PE³ Twist-Lock Photocontrol (120v-277v)
- PE3³ Twist-Lock Photocontrol (347v)
- PE4³ Twist-Lock Photocontrol (480v)
- SC³ Shorting Cap
- PEC Electronic Button Photocontrol (120v-277v)
- PEC4 Electronic Button Photocontrol (480v)
- FHD⁴ Double Fuse and Holder

- HSH5 Standard horizontal hangstraight, spike finial
- HSHN Standard horizontal hangstraight, no finial

- HSHB Standard horizontal hangstraight, ball finial
- EZ Vertical hangstraight, large, "EZ" mount

² For use with HSH_ hangstraight only.

³ Requires control receptacle.

⁴ Ships loose for installation in base.

Arm (Click here to link to arm specification page)

See Arms & Wall Brackets specification sheets.

- 478 • 6236U • R3⁵ • CCA • RA
- TA • CDVH • CSA • CAF • DA
- TASU • 9IW • CA • CBA • DAG
- 678 • RPM • CAS • RSA
- 55LD • R2⁵ • SMA • FFA

⁵ Luminaires above grade height to be 2' higher than pole height, REQUIRES "EZ" hangstraight.

Pole (Click here to link to pole specification page)

See Pole specification sheets.

Finish

Standard Finishes⁶

- BKT Black Textured
- WHT White Textured
- PGT Park Green Textured
- ABZT Architectural Medium Bronze Textured
- DBT Dark Bronze Textured

⁶ Smooth finishes are available upon request.

Custom Finishes⁷

- CM Custom Match
- OI Old Iron
- RT Rust
- WBR Weathered Brown
- CD Cedar
- WBK Weathered Black
- TT Two Tone

⁷ Custom colors require upcharge.

Sternberg Select Finishes

- VG Verde Green
- SI Swedish Iron
- OWGT Old World Gray Textured

Specifications

Fixture

The 1910LEDLB/LBL Lake Bluff luminaire is a decorative down light fixture which consists of a decorative cast aluminum fitter, a spun aluminum shade and lens. It shall have LED light sources with down lighting optics. The Luminaire shall be UL listed in the US and Canada.

Fitter - Standard

The fitter shall be heavy wall cast aluminum, 356 alloy for high tensile strength. It shall have an 9-1/4" inside diameter opening to attach to the 9" neck of the shade. The large end of the fitter shall have four (4) stainless steel allen head screws which secures the connection between the fitter and shade.

LED's

The luminaire shall use high output, high brightness LED's. They shall be mounted in arrays, on printed circuit boards designed to maximize heat transfer to the heat sink surface. The arrays shall be roof mounted to minimize up-light. The LED's and printed circuit boards shall be 100% recyclable; they shall also be protected from moisture and corrosion by a conformal coating of 1 to 3 mils. They shall not contain lead, mercury or any other hazardous substances and shall be RoHS compliant. The LED life rating data shall be determined in accordance with IESNA LM-80. The High Performance white LED's will have a life expectancy of approximately 100,000 hours with not less than 70% of original brightness (lumen maintenance), rated at 25°C. The High Brightness, High Output LED's shall be 4500K (3500K or 2700K option) color temperature with a minimum CRI of 70. Consult factory for custom color CCT. The luminaire shall have a minimum _____ (see table) delivered initial lumen rating when operated at steady state with an average ambient temperature of 25°C (77°F).

See next page

1910LEDLB / LBL LAKE BLUFF SERIES

LED

Optics

The luminaire shall be provided with individual acrylic, refractor type optics applied to each LED. The luminaire shall provide Type 5 light distribution per the IESNA classifications. Testing will be done in accordance with IESNA LM-79.

Electronic Driver

The LED driver shall be U.L. Recognized. It shall be securely mounted inside the fixture, for optimized performance and longevity. It shall be supplied with a quick-disconnect electrical connector on the power supply, providing easy power connections and fixture installation. It shall have overload, overheat and short circuit protection, and have a DC voltage output, constant current design, 50/60HZ. It shall be supplied with line-ground, line-neutral and neutral-ground electrical surge protection in accordance with IEEE/ANSI C62.41.2 guidelines. It shall be a high efficiency driver with a THD less than 20% and a high power factor greater than .9. It shall be dimming capable using a 0-10v signal, consult factory for more information.

Lens

Materials include DR Acrylic or Polycarbonate. An injection molding process adds textured surface for glare mitigation, even wall thickness and impact resistance.

Photocontrols

Button Style: The photocontrol shall be mounted on the fixture and pre-wired to driver. The electronic button type photocontrol is instant on with a 5-10 second turn off, and shall turn on at 1.5 footcandles with a turn-off at 2-3 footcandles. Photocontrol is 120-277 volt and warranted for 6 years. See pole spec sheet for pole mounted version.

Twist-Lock Style: The photocontrol shall be mounted on the hang-straight and pre-wired to driver. The twist lock type photocontrol is instant on with a 3-6 second turn off, and shall turn on at 1.5 footcandles with a turn-off at 2-3 footcandles. Photocontrol is 120-277 volt and warranted for 6 years.

Warranty

Seven-year limited warranty. See product and finish warranty guide for details.

Finish

Refer to website for details.

Performance - LB Series

MODEL #	T5 DELIVERED LUMENS	EFFICACY (LPW)	WATTAGE
4A1R45	7885	85.7	92
4A1R35	7015	76.3	92
4A1R27	6150	66.8	92
3A1R45	6635	86.2	77
3A1R35	5905	76.7	77
3A1R27	5175	67.2	77
4ARC45	5375	84.0	64
4ARC35	4785	74.8	64
4ARC27	4195	65.5	64
3ARC45	4120	79.2	52
3ARC35	3670	70.6	52
3ARC27	3215	61.8	52
1RND45	2740	85.6	32
1RND35	2440	76.3	32
1RND27	2140	66.9	32

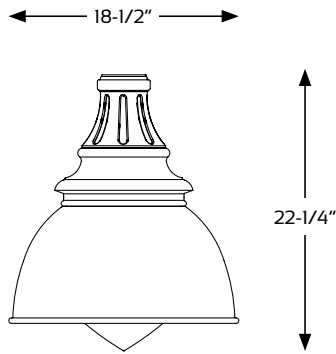
Performance - LBL Series

MODEL #	T5 DELIVERED LUMENS	BUG	EFFICACY (LPW)	WATTAGE
4A1R45	7005	B2U0G1	76.1	92
4A1R35	6580	B2U0G1	71.5	92
4A1R27	5775	B2U0G1	62.8	92
3A1R45	5875	B2U0G1	76.3	77
3A1R35	5520	B2U0G1	71.7	77
3A1R27	4845	B2U0G1	62.9	77
4ARC45	4795	B2U0G1	74.9	64
4ARC35	4505	B2U0G1	70.4	64
4ARC27	3955	B1U0G1	61.8	64
3ARC45	3670	B1U0G1	70.6	52
3ARC35	3445	B1U0G1	66.3	52
3ARC27	3025	B1U0G1	58.2	52
1RND45	2420	B1U0G1	75.6	32
1RND35	2275	B1U0G1	71.1	32
1RND27	1995	B1U0G1	62.3	32

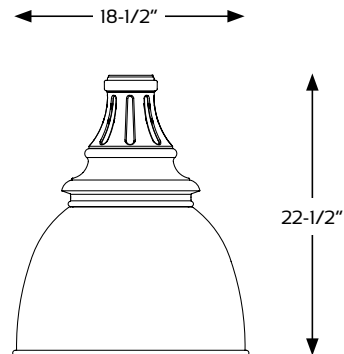
1910LEDLB / LBL LAKE BLUFF SERIES

LED

Fixture Examples



1910LEDLB-5P



1910LEDLBL-5P