

# 1910/1915/1930 ACORN SERIES

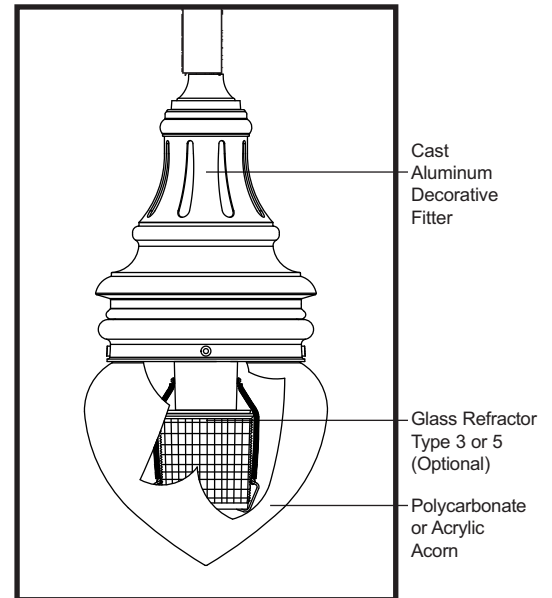
# SPECIFICATIONS

## GENERAL

The 1910/1915 & 1930 Acorn series is a decorative down-light fixture which consists of a decorative cast aluminum fitter, cast ballast housing assembly, and a clear frosted polycarbonate or acrylic teardrop acorn globe.

## FITTER

The fitter shall be heavy wall cast aluminum with eight flutes, 356 alloy for high tensile strength with an average wall thickness of .250". It shall have an 9 1/4" inside diameter opening to attach to the 9" neck of the acorn assembly. When ordered with a Sternberg candy cane pole, the fitter shall be welded to the arm end or tenon for safety and to ensure the fixture will be plumb, secure and level over the life of the installation. The large end of the fitter shall contain the cast ballast housing. It shall also be have 4 each 1/4" x 3/4" long cup point, stainless steel allen head set screws which hold the acorn assembly.



**1910 EPA = 0.54 (ft<sup>2</sup>)**  
**1910 WEIGHT = 9 LBS**

## BALLAST HOUSING

The ballast housing shall be heavy wall cast aluminum, 356 alloy for high tensile strength. The housing shall be cast as an integral part of the fitter to prevent water entry into the ballast compartment and to ensure high capacity heat sinking of ballast temperatures, keeping the ballast cooler and ensuring long life. The ballast mounting plate shall be cast aluminum and provide tool-less removal from the housing using 2 ea finger latches.

## ELECTRICAL

The fixture shall be U.L. or E.T.L. listed. H.I.D. ballasts shall be high power factor with lamp starting down to -30 degrees C. Medium base and mogul base porcelain sockets are 4KV rated. The ballast/socket assembly shall be pre-wired when specified with medium base socket. For Model 1910 and 1915, mogul sockets require base, pole, arm or ballast boxes for ballasts. For Model 1930, the ballast/socket assembly shall be pre-wired to the mogul socket. High wattages may require ballasts in base, pole or arms with ballast boxes, consult factory. All compact fluorescent (PL) ballasts shall be instant start electronic with a starting temperature of down to 0 degrees F. They shall have a 4-pin socket to accept quad or triple tube lamps. Ballasts shall be DOE EISA compliant.

## ACORN ASSEMBLY

The 1910 and 1915 Acorn Globe shall be 12" in diameter with a 9" diameter neck. The 1930 Acorn Globe shall be 16" in diameter with a 10" diameter neck. They will be made of vandal resistant clear frosted, UV stabilized polycarbonate or dent resistant (DR) clear frosted acrylic. The acorn shall be attached to an 9" spun aluminum neck with 4 installed rivet nuts and stainless steel screws. There will be a 1/8" thick closed cell, die-cut, one-piece neoprene gasket and a bead of silicone between the acorn and the neck to help prevent insect penetration. There shall be a 1/16" closed cell gasket between the spun aluminum neck and the fitter. The neck will have an 8" diameter for insertion into the cast fitter.

**LIST NO.**  
**1910/1915/**  
**1930 ACORN**  
**SERIES**

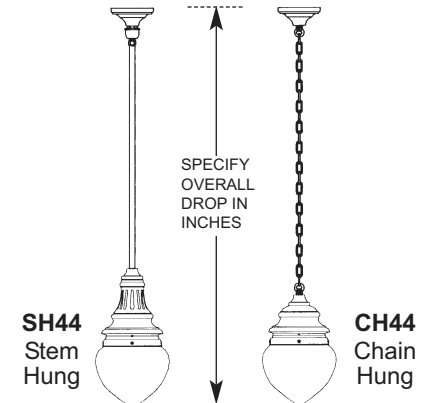
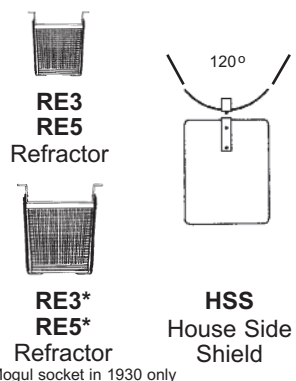
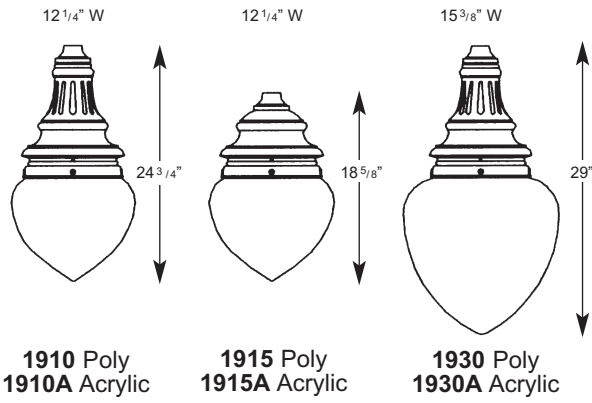
## OPTICAL OPTIONS

The acorn shall have an I.E.S. Type 3 or 5 borosilicate prismatic glass refractor, spring held into

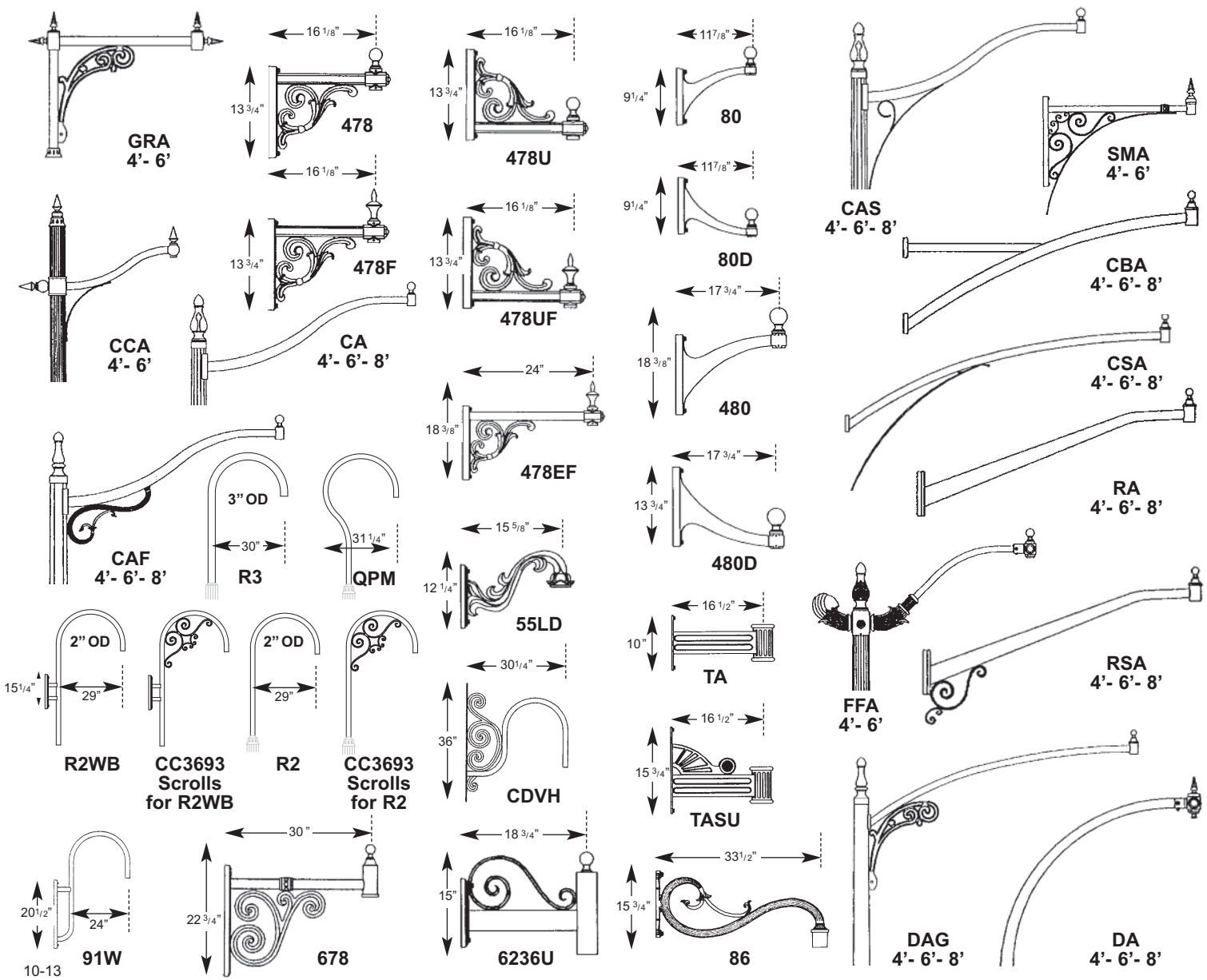
# 1910/1915/1930 ACORN

# FIXTURES / ARMS PM - WB

**FIXTURES**                      **OPTICAL SYSTEMS**                      **HANGING BRACKETS**



**ARMS - POST MOUNT (PM) or WALL BRACKETS (WB)**                      See Arms Section for more information



# BUILDING A PART NUMBER

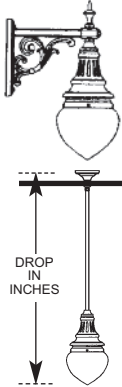


## POST & ARM FIXTURES

CENTER

FINISH

2 — 1910/RPM / PT / 3900RT4-12AG / 100 HPS120 / RE3 / HPS100/MED / BKT



FIXTURE / WALL BRACKET

1910/478FWB / 100 HPS120 / RE3 / HPS100/MED / BKT

## HANGING FIXTURES

DROP IN INCHES

FIXTURE / HANGING BRACKET

OVERALL DROP IN INCHES

LIGHT SOURCE BALLAST WATTS / TYPE / VOLTS

OPTICS

OPTIONS

FINISH

1910/SH44 / 48 INCHES / 100 HPS120 / RE5 / HPS100/MED / BKT

## PART NUMBER SELECTIONS

### FIXTURES

- 1910<sup>2</sup>
- 1910A<sup>2</sup>
- 1915<sup>3</sup>
- 1915A<sup>3</sup>
- 1930
- 1930A

### OPTICS

- RE3
- RE5

### VOLTAGES

- 120
- 208
- 240
- 277
- 480
- MULTI (120-277)

### HANGING BRACKETS

- CH44
- SH44

### POST ARMS

- 80PM
- 80DPM
- 86PM
- 480PM
- 480DPM
- 478PM
- 478FPM
- 478UPM
- 478UFPM
- TAPT
- TASUPT
- 478EFPM
- 678PM
- 55LDPM
- 6236UPM
- CDVHPM
- 91WPM
- RPM
- R3PM
- QPM
- CA4<sup>6</sup>
- CA6<sup>6</sup>
- CA8<sup>6</sup>
- CAS4<sup>6</sup>
- CAS6<sup>6</sup>
- CAS8<sup>6</sup>

### POST ARMS

- CSA4<sup>6</sup>
- CSA6<sup>6</sup>
- CSA7<sup>6</sup>
- SMA4<sup>7</sup>
- SMA6<sup>6</sup>
- CCA4<sup>6</sup>
- CCA6<sup>6</sup>
- CAF4<sup>6</sup>
- CAF6<sup>6</sup>
- CAF7<sup>6</sup>
- CBA4<sup>6</sup>
- CBA6<sup>6</sup>
- CBA7<sup>6</sup>
- RSA4<sup>6</sup>
- RSA6<sup>6</sup>
- RSA7<sup>6</sup>
- FFA4<sup>6</sup>
- FFA7<sup>6</sup>
- RA4<sup>6</sup>
- RA6<sup>6</sup>
- RA8<sup>6</sup>
- DA4<sup>6</sup>
- DA6<sup>6</sup>
- DA8<sup>6</sup>
- DAG4<sup>6</sup>
- DAG6<sup>6</sup>
- DAG7<sup>6</sup>

### WALL BRACKET ARMS

- 55LDWB
- 80WB
- 80DWB
- 86WB
- 91WWB
- 478WB
- 478FWB
- 478UWB
- 478UFWB
- 478EFWB
- 480WB
- 480DWB
- 678WB
- 6236UWB
- CDVHWB
- R2WB
- TAWB
- TASUWB

### BALLASTS<sup>4,7</sup>

- 35HPS<sup>1</sup>
- 50HPS
- 70HPS
- 100HPS
- 150HPS
- 250HPS<sup>5</sup>
- 50MHP
- 70MHP
- 100MHP
- 150MHP
- 200MHP<sup>5</sup>
- 250MHP<sup>5</sup>
- 26PLT
- 32PLT
- 42PLT
- 57PLT
- 70PLT
- INCAND

### LAMPS<sup>7</sup>

- HPS35/MED
- HPS50/MED
- HPS70/MED
- HPS100/MED
- HPS150/MED
- HPS250/MOG/ED18<sup>5</sup>
- MHP50/MED
- MHP70/MED
- MHP100/MED
- MHP150/MED
- MHP200/MED<sup>5</sup>
- MHP250/MOG/ED28<sup>5</sup>
- PLT26
- PLT32
- PLT42
- PLT57
- PLT70

### STANDARD FINISHES\*

- BKT Black Textured
- WHT White Textured
- PGT Park Green Textured
- ABZT Architectural Medium Bronze Textured
- DBT Dark Bronze Textured

\*Smooth Finishes are available upon request

### CUSTOM FINISHES

- OI Old Iron
- RT Rust
- WBR Weathered Brown
- CD Cedar
- WBK Weathered Black
- TT Two Tone

### STERNBERG SELECT FINISHES

- VG Verde Green
- SI Swedish Iron
- OWGT Old World Gray Textured

### NOTES:

- 1 35HPS is 120 volt only.
- 2 150 watt ballast maximum med base only.
- 3 70 watt ballast maximum. 150 watt ballast if remote mounted.
- 4 Medium base sockets standard for the 1910, 1915 and 1930 with ballasts
- 5 1930 Acorn only.
- 6 Add (S) Spike or (B) Ball after arm to designate type of finial.
- 7 Metal halide systems are pulse start.

### OPTIONS

- FHS Single Fuse and Holder-120,277 Volt
- FHD Dual Fuse and Holder-208,240,480 Volt
- QR Quartz Re-Strike
- PF Pineapple Finial or Font (TA, TASCRA)
- CC3693 Scrolls for R2 or R3 Arm
- HS Hangstraight
- LAMPS Select from List

Note: Photocell option available for arm or pole mounting only

# 1910/1915/1930 ACORN SERIES

# SPECIFICATIONS

**LIST NO.**  
**1910/1915/  
1930 ACORN  
SERIES**

position around the medium base socket. The refractor shall be conical shaped with a diameter of 5" on one end and 4 1/2" on the other. The glass refractor shall be 5" tall. Mogul sockets require larger glass refractors, conical shaped with a diameter of 6" x 6 1/2" tall.

## QUARTZ RE-STRIKE

The 1910/1915 & 1930 fixture can be supplied with an optional quartz re-strike system to retain constant fixture light if the H.I.D. lamp fails. The fixture will be equipped with a 100 watt quartz lamp and a controller to run on a 120 volt circuit and must be used in conjunction with a 120 volt or multi-tap ballast.

## ARMS

All arms are made of cast aluminum and/or extruded aluminum. Arms with decorative filigree have meticulously detailed scroll work and gracefully curved brackets. All 1910 & 1930 fixtures will have its fitter either welded to the arm or will be mechanically attached at the factory to ensure arms will be plumb, secure and level over the life of the installation. Each arm shall be bolted to a post mount adapter, which is welded to the pole to ensure proper alignment to the base. Arms are pre-wired for ease of installation.

## FINISH

Prior to coating, each assembly shall be chemically cleaned and etched in a 5-stage washing system which includes alkaline cleaning, rinsing, phosphoric etching, reverse osmosis water rinsing and non-chrome sealing to ensure corrosion resistance and excellent adhesion for the finish coating. The finish coating shall be electrostatically applied semi-gloss, super durable polyester powder baked at 400 degrees for a durable and superior, color retentive finish. Our optional antique Verde Green finish and Swedish Iron finish are hand brushed using a 3-step process. The total assembly shall be wrapped in shockproof wrapping or fully enclosed in corrugated cartons.

## WARRANTY

Five-year limited warranty. See product and finish warranty guide for details.