



1760LED CHATEAU SERIES

LED

EPA
1.25 (ft²)
WEIGHT
60 LBS

7 YEAR
WARRANTY

LUMEN
RANGE
6,040 to
12,600

LIFE SPAN
L70
MINIMUM
100,000
HOURS

UL
LISTED

CLICK
FOR FAQ'S

JOB NAME _____

FIXTURE TYPE _____

MEMO _____

BUILD A PART NUMBER

ORDERING EXAMPLE: **PT-1760LED-DR-R3-1L40T5-MDL10-CA-R-PE/3212T4/BKT**

Mounting Config.	Fixture	Rings	Fitter	LED	CCT	Type	Driver	Lens	Option Receptacle Control	Option Photocontrol	Option Fuse	Option Hangstraight	Option House Side Shield	Option Internal Diffusing Lens	Arm See Arm Spec Sheets	Pole See Pole Spec Sheets	Finish

Mounting Configuration

(Click here to view mounting configuration sheet)

- IW • 2A • 3A90 • 1AM • CAT¹
- PT • 2A90 • 3APT • 2AM
- 1A • 2APT • 4A • 45OPB
- 1APT • 3A • 4APT • SH44^{1,2}

W = Wall Mount PT = Post Top A = Arm Mount AM = Arm Mid-Mount PB = Pier Base CAT = Catenary SH = Stem Hung

¹ For use with 1760LEDH only.

² Include Stem length in inches after designation (IE: SH44-36").

Fixture

- 1760LED • 1760LEDH

Rings

- DR (Decorative Rings) • RL (Ring-less)

Fitter³

- R3 • R4 • R5

³ Specify fitter for 1760LED only.

LED

- 1L

CCT - Color Temperature (K)

- 27(00) • 30(00) • 35(00) • 40(00) • 50(00)

Type

- T2 • T3 • T4 • T5

Driver

- MDL10 (120v-277v, 1000mA)
- MDL12 (120v-277v, 1200mA)
- MDL14 (120v-277v, 1400mA)
- MDL16 (120v-277v, 1600mA)
- MDH10 (347v-480v, 1000mA)
- MDH12 (347v-480v, 1200mA)
- MDH14 (347v-480v, 1400mA)
- MDH16 (347v-480v, 1600mA)

Lens

- CA (Clear Acrylic Lens)
- WA (White Acrylic Lens)

Options (Click here to view accessories sheet)

- R7⁴ 7-Pin control receptacle only
- PE⁵ Twist-Lock Photocontrol (120v-277v)

- PE3⁵ Twist-Lock Photocontrol (347v)
- PE4⁵ Twist-Lock Photocontrol (480v)
- SC⁵ Shorting Cap
- PEC Electronic Button Photocontrol (120v-277v)
- PEC4 Electronic Button Photocontrol (480v)
- FHD⁶ Double Fuse and Holder
- HSHS⁷ Standard Horizontal Hangstraight, Spike Finial
- HSHN⁷ Standard Horizontal Hangstraight, No Finial
- HSHB⁷ Standard Horizontal Hangstraight, Ball Finial
- EZ⁷ Vertical Hangstraight, Large, "EZ" Mount
- HSS 120° House Side Shield
- SV2C⁸ Moderate diffused internal cup lens

⁴ Cannot be used with SH44, CAT, EZ or HSV

⁵ Requires control receptacle.

⁶ Ships loose for installation in base.

⁷ For use with 1760LEDH fixture only.

⁸ Required option when using both the DR and CA options.

Arm (Click here to link to arm specification page)

See Arms & Wall Brackets specification sheets.

- OM • HM • OL
- VC • VF • VL

Pole (Click here to link to pole specification page)

See Pole specification sheets.

Finish (Click here to view paint finish sheet)

Standard Urban Finishes

- UGMT Gun Metal Textured
- UGM Gun Metal Matte
- UBT Urban Bronze Textured
- UB Urban Bronze Matte
- ULBT Urban Light Bronze Textured
- ULB Urban Light Bronze Matte
- USLT Urban Silver Textured
- USL Urban Silver Matte
- UWHT Urban White Textured
- UWH Urban White Matte
- UCHS Urban Champagne Satin Smooth
- BKT Black Textured

Custom Urban Finishes⁹

- CM Custom Match

⁹ Smooth finishes are available upon request.

Specifications

Fixture

The Chateau series luminaire is a large scale, dramatic design fixture featuring a tall, cylindrical body made up of a cast aluminum top, round lens and flat, aluminum shade. The Luminaire shall be UL listed in US and Canada.

Fitter - Standard

The fixture shall be provided with a heavy wall cast aluminum fitter that can accept a 3" OD (R3), 4" OD (R4) or 5" OD (R5) pole or 3" tall tenon. The end of the fitter shall have four (4) stainless steel allen head screws which secures the connection between the fitter and tenon.

LEDs

The luminaire shall use high output, high brightness LED's, consisting of a two piece assembly complete with Chip on Board (COB) LED component and COB holder frame. The LED's and printed circuit boards shall be 100% recyclable; they shall also be protected from moisture and corrosion by a conformal coating of 1 to 3 mils. They shall not contain lead, mercury or any other hazardous substances and shall be RoHS compliant. The LED life rating data shall be determined in accordance with IESNA LM-80. The High Performance white LED's will have a life expectancy of approximately 100,000 hours with not less than 70% of original brightness (lumen maintenance), rated at 25°C. The High Brightness, High Output LED's shall be 4000K (2700K, 3000K, 3500K or 5000K option) color temperature with a minimum of 70 CRI. Consult factory for custom color CCT. The luminaire shall have a minimum _____ (see table) delivered initial lumen rating when operated at steady state with an average ambient temperature of 25°C (77°F).

Optics

The luminaire shall be provided with individual, molded silicone refractor type optics applied to each COB (Chip On Board) LED assembly. The

See next page

1760LED CHATEAU SERIES

LED

optic shall be at least 92% efficient while providing superior thermal, UV and impact resistance for the COB assembly. The optic ensures precise light control while providing cutoff control that limits or contains up-light. The luminaire shall provide Type ____ (2, 3, 4 or 5) light distribution per the IESNA classifications. Testing shall be done in accordance with IESNA LM-79.

Electronic Drivers

The LED driver shall be U.L. Recognized. It shall be securely mounted inside the fixture, for optimized performance and longevity. It shall be supplied with a quick-disconnect electrical connector on the power supply, providing easy power connections and fixture installation. It shall have overload as well as short circuit protection, and have a DC voltage output, constant

current design, 50/60HZ. It shall be supplied with line-ground, line-neutral and neutral-ground electrical surge protection in accordance with IEEE/ANSI C62.41.2 guidelines. It shall be dimmable using a 0-10v signal.

For sources over 50w: The driver shall have a minimum efficiency of 90%. The driver shall be rated at full load with THD<20% and a power factor of greater than 0.90. The driver shall contain over-heat protection which reduces output to less than half rating if the case temperature reaches 85°C.

For sources under 50w: The driver shall have a minimum efficiency of 88%.

Photocontrols

Twist-Lock Style: The photocontrol shall be mounted externally on the fixture and pre-wired to driver. The twist lock type photocon-

trol is instant on with a 3-6 second turn off, and shall turn on at 1.5 footcandles with a turn-off at 2-3 footcandles. Photocontrol is 120-277 volt and warranted for 6 years.

Button Style: the photocontrol shall be mounted in the "catenary box" or in the pole shaft on an access plate. The electronic button type photocontrol is instant on with a 5-10 second turn off, and shall turn on at 1.5 footcandles with a turn-off at 2-3 footcandles. Photocontrol is 120-277 volt and warranted for 6 years.

Warranty

Seven-year limited warranty. See product and finish warranty guide for details.

Finish

Refer to website for details.

Performance 1760LED (Based on CA Lens)

MODEL #	T2 DELIVERED LUMENS	EFFICACY (LPW)	T3 DELIVERED LUMENS	EFFICACY (LPW)	T4 DELIVERED LUMENS	EFFICACY (LPW)	T5 DELIVERED LUMENS	EFFICACY (LPW)	WATTAGE
1L40T_-MDL16	7085	76.2	7525	80.9	7790	83.8	8745	94.0	93
1L30T_-MDL16	6905	74.2	7335	78.9	7590	81.6	8520	91.6	93
1L27T_-MDL16	6275	67.5	6660	71.6	6895	74.1	7740	83.2	93
1L40T_-MDL14	6275	77.5	6665	82.3	6905	85.2	7745	95.6	81
1L30T_-MDL14	6115	75.5	6495	80.2	6730	83.1	7550	93.2	81
1L27T_-MDL14	5555	68.6	5900	72.8	6115	75.5	6855	84.6	81
1L40T_-MDL12	5545	79.2	5895	84.2	6115	87.4	6860	98.0	70
1L30T_-MDL12	5405	77.2	5745	82.1	5960	85.1	6685	95.5	70
1L27T_-MDL12	4910	70.1	5220	74.6	5415	77.4	6075	86.8	70
1L40T_-MDL10	4690	80.9	4985	85.9	5170	89.1	5810	100.2	58
1L30T_-MDL10	4570	78.8	4860	83.8	5040	86.9	5660	97.6	58
1L27T_-MDL10	4150	71.6	4415	76.1	4575	78.9	5145	88.7	58

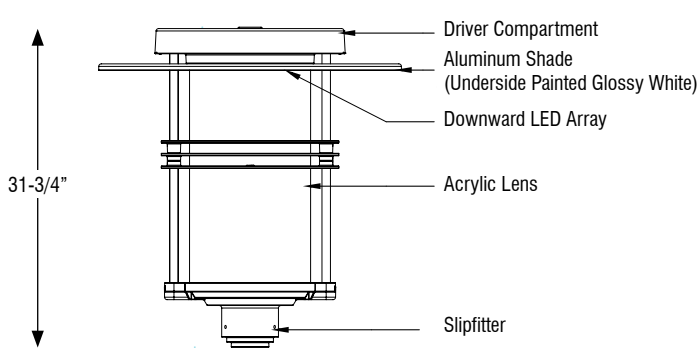
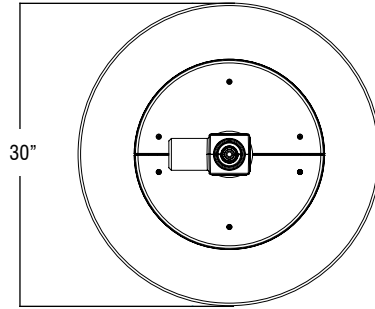
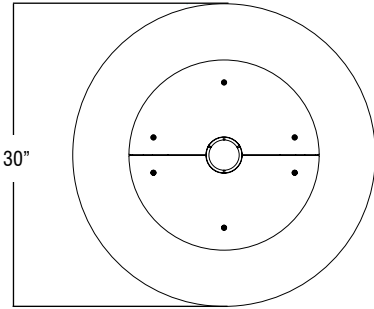
Performance 1760LEDH (Based on CA Lens)

MODEL #	T2 DELIVERED LUMENS	EFFICACY (LPW)	T3 DELIVERED LUMENS	EFFICACY (LPW)	T4 DELIVERED LUMENS	EFFICACY (LPW)	T5 DELIVERED LUMENS	EFFICACY (LPW)	WATTAGE
1L40T_-MDL16	8285	89.1	8860	95.3	8995	96.7	9685	104.1	93
1L30T_-MDL16	8075	86.8	8635	92.8	8765	94.2	9440	101.5	93
1L27T_-MDL16	7335	78.9	7845	84.4	7965	85.6	8575	92.2	93
1L40T_-MDL14	7280	89.9	7770	95.9	7905	97.6	8510	105.1	81
1L30T_-MDL14	7095	87.6	7570	93.5	7705	95.1	8295	102.4	81
1L27T_-MDL14	6445	79.6	6880	84.9	7000	86.4	7535	93.0	81
1L40T_-MDL12	6435	91.9	6940	99.1	7005	100.1	7475	106.8	70
1L30T_-MDL12	6270	89.6	6765	96.6	6825	97.5	7285	104.1	70
1L27T_-MDL12	5695	81.4	6145	87.8	6200	88.6	6620	94.6	70
1L40T_-MDL10	5440	93.8	5870	101.2	5930	102.2	6315	108.9	58
1L30T_-MDL10	5300	91.4	5720	98.6	5780	99.7	6155	106.1	58
1L27T_-MDL10	4815	83.0	5195	89.6	5250	90.5	5590	96.4	58

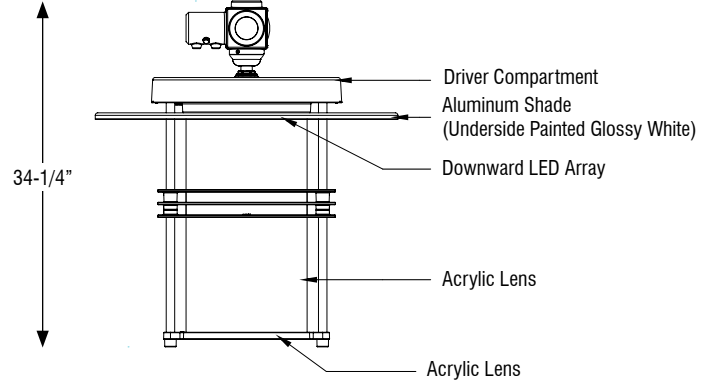
1760LED CHATEAU SERIES

LED

Fixtures

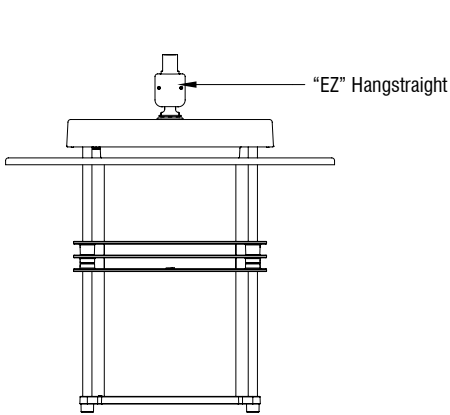


1760LED

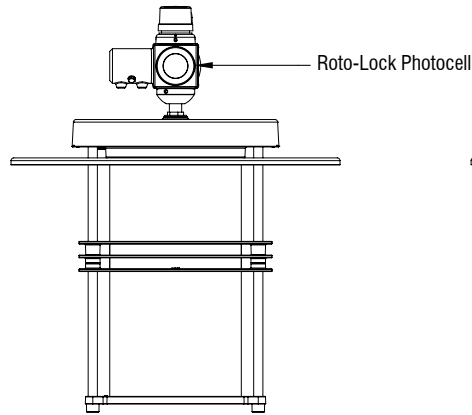


1760LEDH

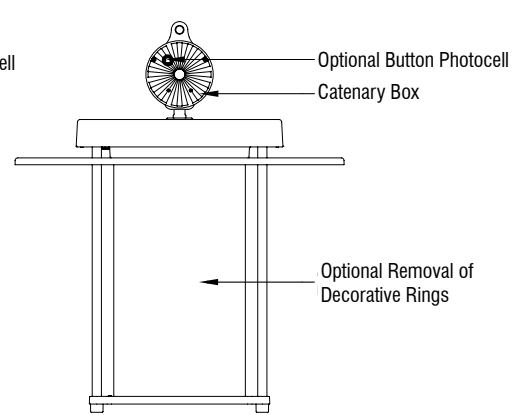
Other Options



EZ



HSHN-R-PE



CAT & RL



SternbergLighting

ESTABLISHED 1923 / EMPLOYEE OWNED

800-621-3376
 555 Lawrence Ave., Roselle, IL 60172
 info@sternberglighting.com
 www.sternberglighting.com