



1750 CHATEAU SERIES

HID

EPA
1.25 (ft²)
WEIGHT
20 LBS

5 YEAR
WARRANTY

UL
LISTED

CLICK
FOR FAQ'S

JOB NAME _____

FIXTURE TYPE _____

MEMO _____

BUILD A PART NUMBER

ORDERING EXAMPLE: **2A-1750-R3-150MHP120-MED-RE5-A-PEC/OMPT/3314P5/BKT**

Mounting Config.	Fixture	Fitter	Ballast	Volts	Socket	Optic	Lens	Option Photocell	Option Fuse	Option Chimney	Option House Side Shield	Option Lamps <small>See Lamp Spec Sheet</small>	Arm <small>See Arm Spec Sheets</small>	Pole <small>See Pole Spec Sheets</small>	Finish

Mounting Configuration

[\(Click here to view mounting configuration sheet\)](#)

- 1W • 2A • 3A90 • 1AM
- PT • 2A90 • 3APT • 2AM
- 1A • 2APT • 4A • 550PB
- 1APT • 3A • 4APT

W = Wall Mount PT = Post Top A = Arm Mount AM = Arm Mid-Mount PB = Pier Base

Fixture

- 1750

Fitter

- R3 • R4 • R5

Ballast^{1,2}

- 35HPS³ • 100HPS • 50MHP • 100MHP
- 50HPS • 150HPS • 70MHP • 150MHP
- 70HPS

¹ Metal halide systems are pulse start.

² Medium base sockets standard with ballasts up to 150 watts.

³ 35HPS is 120 volt only.

Volts

- 120 • 208 • 240 • 277 • 347 • 480

Socket

- MED • MOG

Optic

- NONE • RE3 • RE5 • L03 • L05

Lens

- A (Acrylic)
- FA (Frosted Acrylic)

Options [\(Click here to view accessories sheet\)](#)

- PEC Electronic Button Photocontrol (120v-277v)
- PEC4 Electronic Button Photocontrol (480v)
- FHS⁵ Single Fuse and Holder (120v & 277v)
- FHD⁵ Double Fuse and Holder (208v, 240v & 480v)
- FMC⁶ Frosted Mission Chimney
- HSS 120° House Side Shield
- LAMPS See Lamp Specification Sheet

⁵ Ships loose for installation in base.

⁶ Not for use with additional optic or MOG socket.

Arm [\(Click here to view arm website page\)](#)

See Arms & Wall Brackets specification sheets.

- OM • HM • OL • VC • VL • VF

Pole [\(Click here to view pole website page\)](#)

See Pole specification sheets.

Finish

Standard Urban Finishes

[\(Click here to view paint finish sheet\)](#)

- UGMT Gun Metal Textured
- UGM Gun Metal Matte
- UBT Urban Bronze Textured
- UB Urban Bronze Matte
- ULBT Urban Light Bronze Textured
- ULB Urban Light Bronze Matte
- USLT Urban Silver Textured
- USL Urban Silver Matte
- UWHT Urban White Textured
- UWH Urban White Matte
- UCHS Urban Champagne Satin Smooth
- BKT Black Textured

Custom Urban Finish⁷

- CM Custom Match

⁷ Custom colors require upcharge.

Specifications

Fixture

The Chateau series luminaire is a medium scale, dramatic design fixture featuring a tall cylindrical body made up of a cast aluminum roof, fitter and decorative rings, a spun aluminum shade and a round acrylic lens. The hinged roof includes tool-less access to lamp compartment, and the ballast housing includes tool-less access to the ballast, for ease of maintenance. The Luminaire shall be UL listed in US and Canada.

Fitter

The fixture shall be provided with a heavy wall cast aluminum fitter that can accept a 3" OD (R3), 4" OD (R4) or 5" OD (R5) pole or 3" tall tenon. The end of the fitter shall have four (4) stainless steel allen head screws which secures the connection between the fitter and tenon.

Electrical

HID ballasts shall be high power factor with lamp starting down to -30 degrees C. Medium base and mogul base porcelain sockets are 4KV rated. The ballast/socket assembly shall be pre-wired when ballast is located in the fitter. Ballasts shall be DOE EISA compliant.

Optical Options

Refractors shall be borosilicate glass with an IES type 3 or 5 distribution, using a vertically mounted lamp. It shall be secured to the socket/stem with 3/8" plated steel threaded pipe nipple and rest on a cast aluminum holder with anti-shock gasket. The refractor will be secured to cast holder with a quarter-turn internal aluminum twist ring for ease of maintenance.

NIGHTSKY® OPTI-SHIELD® Louver Reflector System shall be a multi-tier reflector with 7" diameter rings to produce an IES cut-off type 3 or 5 distribution. The Louver optic System shall be made of highly specular anodized aluminum and shall come standard with medium base socket.

House Side Shield shall be an additional optic used to block 120° of light in any one direction.

Frosted Mission Chimney shall be a frosted glass element which adds an authentic touch. It can be used to house a lamp with a medium base socket.

Photocontrols

Button Style: On single post top fixtures the photocontrol shall be mounted in the fitter and pre-wired to ballast. On multiple head fixture assembly's photocontrol shall be mounted in the pole shaft on an access plate and are not pre-wired as ballast housing assemblies and fitters are packaged separately for ease of wiring to source. The electronic button type photocontrol is instant on with a 5-10 second turn off, and shall turn on at 1.5 footcandles with a turn-off at 2-3 footcandles. Photocontrol is 120-277 volt and warranted for 6 years.

See next page

1750 CHATEAU SERIES

HID

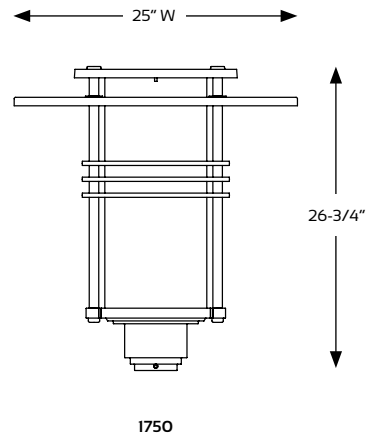
Warranty

Five-year limited warranty. See product and finish warranty guide for details.

Finish

Refer to website for details.

Fixtures



Fitters



R3"



R4"

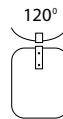


R5"

Optical Systems



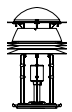
RE3
RE5
Refractor



HSS
House Side
Shield



FMC
Frosted
Mission
Chimney



LO3
LO5
Louver Optics