



1750LED CHATEAU SERIES

LED

EPA
1 (ft²)
WEIGHT
38 LBS

7 YEAR
WARRANTY

LUMEN
RANGE
4,000 to
7,930

LIFE SPAN
L70
MINIMUM
100,000
HOURS

UL
LISTED

CLICK
FOR FAQ's

IP
RATING

JOB NAME

FIXTURE TYPE

MEMO

BUILD A PART NUMBER

ORDERING EXAMPLE: **PT-1750LED-DR-R3-1L40T5-MDL06-CA-R-PE/3212T4/BKT**

Mounting Config.	Fixture	Rings	Fitter	LED	CCT	Type	Driver	Lens	Option Receptacle Control	Option Photocontrol	Option Fuse	Option Hangstraight	Option House Side Shield	Arm See Arm Spec Sheets	Pole See Pole Spec Sheets	Finish

Mounting Configuration

(Click here to view mounting configuration sheet)

- IW • 2A • 3A90 • 1AM • CAT¹
- PT • 2A90 • 3APT • 2AM
- 1A • 2APT • 4A • 450PB
- 1APT • 3A • 4APT • SH44^{1,2}

W = Wall Mount PT = Post Top A = Arm Mount AM = Arm Mid-Mount PB = Pier Base SH = Stem Hung CAT = Catenary

¹ For use with 1750LEDH only.

² Include Stem length in inches after designation (IE: SH44-36")

Fixture

- 1750LED • 1750LEDH

Rings

- DR (Decorative Rings) • LR (Ring-less)

Fitter³

- R3 • R4 • R5

³ Specify fitter for 1740LED only.

LED

- 1L

CCT - Color Temperature (K)

- 27(00) • 30(00) • 40(00) • 50(00)

Type

- T2 • T3 • T4 • T5

Driver

- MDL06 (120v-277v, 600mA)
- MDL08 (120v-277v, 800mA)
- MDL10 (120v-277v, 1050mA)
- MDH06 (347v-480v, 600mA)
- MDH08 (347v-480v, 800mA)
- MDH10 (347v-480v, 1050mA)

Lens

- CA (Clear Acrylic Lens)
- WA (White Acrylic Lens)
- SVID (Clear Acrylic exterior lens, Medium diffused internal dome lens.)
- SV2D (Clear Acrylic exterior lens, Heavy diffused internal dome lens.)

Options (Click here to view accessories sheet)

- R⁴ 3-Pin control receptacle only
- R⁵ 5-Pin control receptacle only
- R⁷ 7-Pin control receptacle only
- PE⁵ Twist-Lock Photocontrol (120v-277v)
- PE³ Twist-Lock Photocontrol (347v)
- PE⁴ Twist-Lock Photocontrol (480v)
- SC⁵ Shorting Cap
- PEC Electronic Button Photocontrol (120v-277v)
- PEC⁴ Electronic Button Photocontrol (480v)
- FHD⁶ Double Fuse and Holder
- HSHS⁷ Standard Horizontal Hangstraight, Spike Finial
- HSHN⁷ Standard Horizontal Hangstraight, No Finial
- HSHB⁷ Standard Horizontal Hangstraight, Ball Finial
- EZ⁷ Vertical Hangstraight, Large, "EZ" Mount
- HSV⁷ Vertical Hangstraight, Standard
- HSS 120⁹ House Side Shield

⁴ Cannot be used with SH44, CAT, EZ or HSV

⁵ Requires control receptacle.

⁶ Ships loose for installation in base.

⁷ For use with 1740LEDH fixture only.

Arm (Click here to link to arm specification page)

See Arms & Wall Brackets specification sheets.

- OMS • HMS • OLS
- VCS • VFS • VLS

Pole (Click here to link to pole specification page)

See Pole specification sheets.

Finish

Standard Urban Finishes (Click here to view paint finish sheet)

- UGMT Gun Metal Textured
- UGM Gun Metal Matte
- UBT Urban Bronze Textured
- UB Urban Bronze Matte
- ULBT Urban Light Bronze Textured
- ULB Urban Light Bronze Matte
- USLT Urban Silver Textured
- USL Urban Silver Matte
- UWHT Urban White Textured
- UWH Urban White Matte
- UCHS Urban Champagne Satin Smooth
- BKT Black Textured

Custom Urban Finishes⁸

- CM Custom Match

⁸ Smooth finishes are available upon request.

Specifications

Fixture

The Chateau series luminaire is a medium scale, dramatic design fixture featuring a tall, cylindrical body made up of a cast aluminum top, round lens and spun aluminum shade. The Luminaire shall be UL listed in US and Canada.

Fitter - Standard

The fixture shall be provided with a heavy wall cast aluminum fitter that can accept a 3" OD (R3), 4" OD (R4) or 5" OD (R5) pole or 3" tall tenon. The end of the fitter shall have four (4) stainless steel allen head screws which secures the connection between the fitter and tenon.

LEDs

The luminaire shall use high output, high brightness LED's, consisting of a two piece assembly complete with Chip on Board (COB) LED component and COB holder frame. The LED's and printed circuit boards shall be 100% recyclable; they shall also be protected from moisture and corrosion by a conformal coating of 1 to 3 mils. They shall not contain lead, mercury or any other hazardous substances and shall be RoHS compliant. The LED life rating data shall be determined in accordance with IESNA LM-80. The High Performance white LED's will have a life expectancy of approximately 100,000 hours with not less than 70% of original brightness (lumen maintenance), rated at 25°C. The High Brightness, High Output LED's shall be 4000K (3000K or 5000K option) color temperature with a minimum of 70 CRI. Consult factory for custom color CCT. The luminaire shall have a minimum _____ (see table) delivered initial lumen rating when operated at steady state with an average ambient temperature of 25°C (77°F).

See next page

1750LED CHATEAU SERIES

LED

Optics

The luminaire shall be provided with individual, molded silicone refractor type optics applied to each COB (Chip On Board) LED assembly. The optic shall be at least 92% efficient while providing superior thermal, UV and impact resistance for the COB assembly. The optic ensures precise light control while providing cutoff control that limits or contains up-light. The luminaire shall provide Type ____ (2, 3, 4 or 5) light distribution per the IESNA classifications. Testing shall be done in accordance with IESNA LM-79.

Electronic Drivers

The LED driver shall be U.L. Recognized. It shall be securely mounted inside the fixture, for optimized performance and longevity. It shall be supplied with a quick-disconnect electrical connector on the power supply, providing easy power connections and fixture installation. It shall have overload as well as short circuit protection, and have a DC voltage output, constant

current design, 50/60HZ. It shall be supplied with line-ground, line-neutral and neutral-ground electrical surge protection in accordance with IEEE/ANSI C62.41.2 guidelines. It shall be dimmable using a 0-10v signal.

For sources over 50w: The driver shall have a minimum efficiency of 90%. The driver shall be rated at full load with THD<20% and a power factor of greater than 0.90. The driver shall contain over-heat protection.

For sources under 50w: The driver shall have a minimum efficiency of 88%.

Photocontrols

Twist-Lock Style: The photocontrol shall be mounted externally on the fixture and pre-wired to driver. The twist lock type photocontrol is instant on with a 3-6 second turn off, and shall turn on at 1.5 footcandles with a turn-off at 2-3 footcandles. Photocontrol is 120-277 volt and warranted for 6 years.

Button Style: The photocontrol shall be mounted in the "catenary box" or in the pole shaft on an access plate. The electronic button type photocontrol is instant on with a 5-10 second turn off, and shall turn on at 1.5 footcandles with a turn-off at 2-3 footcandles. Photocontrol is 120-277 volt and warranted for 6 years.

Warranty

Seven-year limited warranty. See product and finish warranty guide for details.

Finish

Refer to website for details.

Performance 1750LED (Based on CA Lens)

MODEL #	T3 DELIVERED LUMENS	EFFICACY (LPW)	T4 DELIVERED LUMENS	EFFICACY (LPW)	T5 DELIVERED LUMENS	EFFICACY (LPW)	WATTAGE
1L27T_-MD_10	5910	98.58	5960	99.3	6495	108.3	60
1L30T_-MD_10	6665	111.1	6725	112.1	7325	122.1	60
1L40T_-MD_10	6870	114.5	6930	115.5	7550	125.8	60
1L27T_-MD_08	4740	98.8	4770	99.4	5205	108.4	48
1L30T_-MD_08	5345	111.4	5380	112.1	5870	122.3	48
1L40T_-MD_08	5510	114.8	5545	115.5	6050	126.0	48
1L27T_-MD_06	3675	99.3	3695	99.9	4025	108.8	37
1L30T_-MD_06	4145	112.0	4165	112.6	4540	122.7	37
1L40T_-MD_06	4275	115.5	4295	116.1	4680	126.5	37

Performance 1750LEDH (Based on CA Lens)

MODEL #	T3 DELIVERED LUMENS	EFFICACY (LPW)	T4 DELIVERED LUMENS	EFFICACY (LPW)	T5 DELIVERED LUMENS	EFFICACY (LPW)	WATTAGE
1L27T_-MD_10	6435	107.3	6555	109.3	6820	113.7	60
1L30T_-MD_10	7260	121.0	7395	123.3	7690	128.2	60
1L40T_-MD_10	7485	124.8	7625	127.1	7930	132.2	60
1L27T_-MD_08	5155	107.4	5260	109.6	5470	114.0	48
1L30T_-MD_08	5815	121.1	5935	123.6	6170	128.5	48
1L40T_-MD_08	5995	124.9	6120	127.5	6365	132.6	48
1L27T_-MD_06	4000	108.1	4075	110.1	4230	114.3	37
1L30T_-MD_06	4510	121.9	4595	124.2	4775	129.1	37
1L40T_-MD_06	4650	125.7	4735	128.0	4920	133.0	37



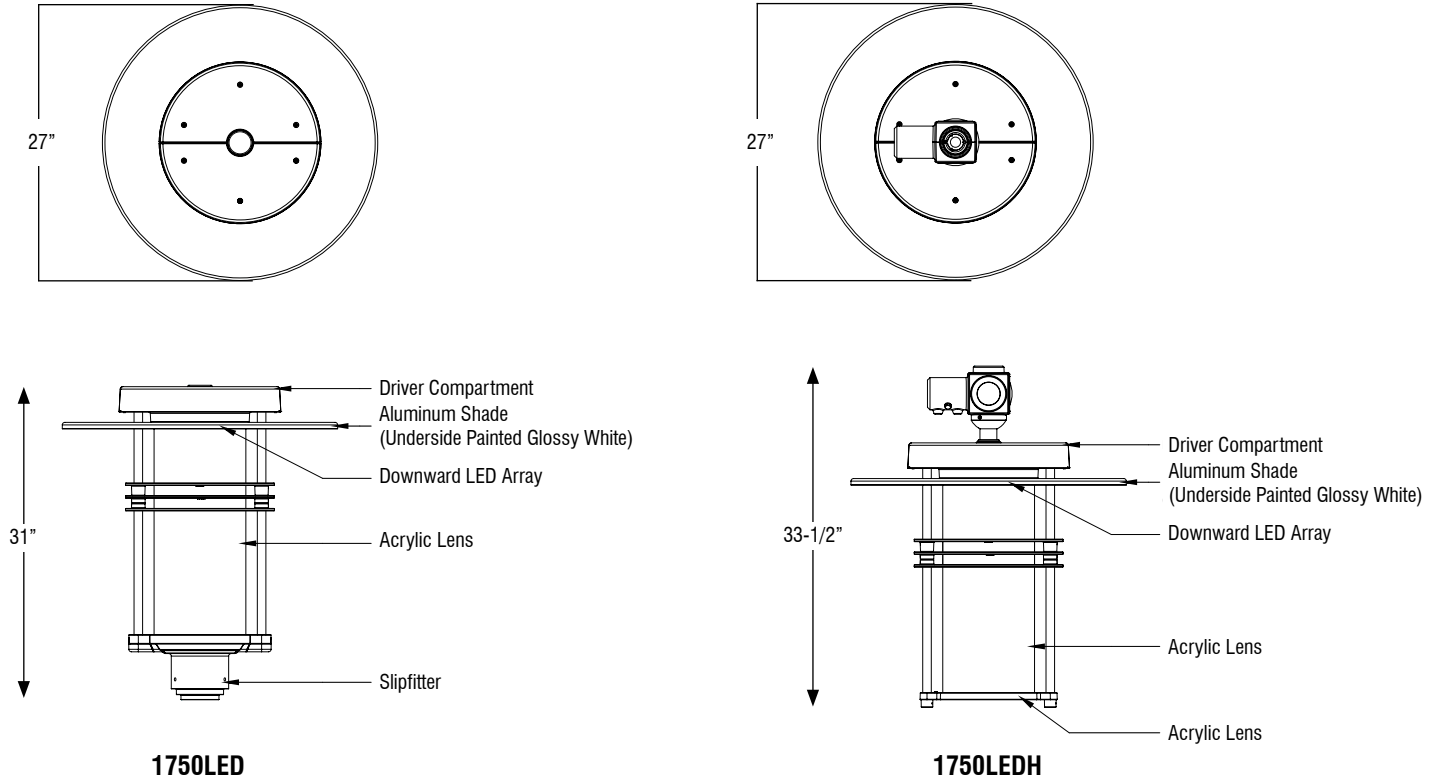
SternbergLighting

ESTABLISHED 1923 / EMPLOYEE OWNED

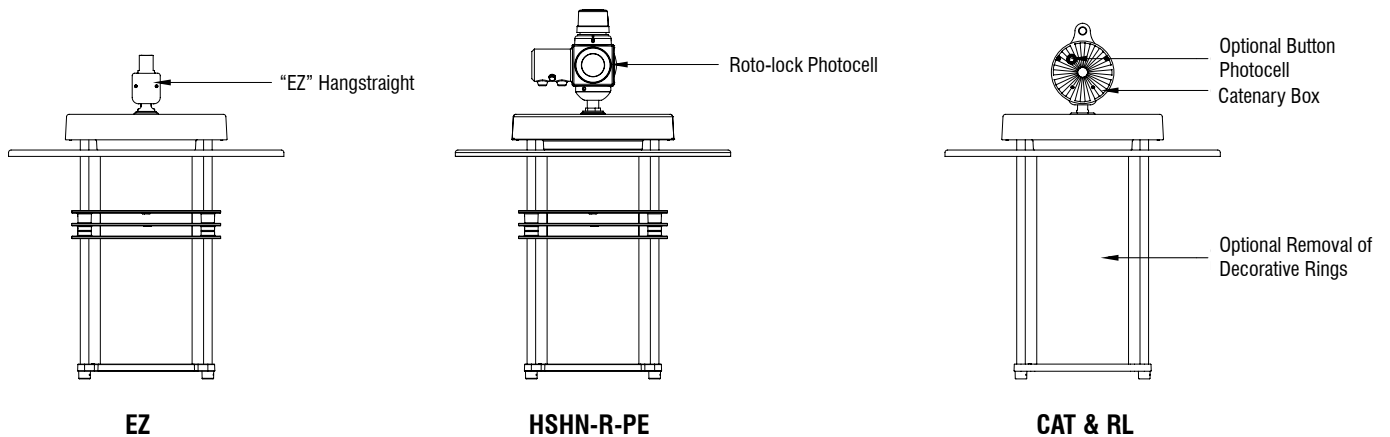
800-621-3376
555 Lawrence Ave., Roselle, IL 60172
info@sternberglighting.com
www.sternberglighting.com

8/17 STERNBERG LIGHTING. ALL RIGHTS RESERVED. PRINTED IN THE USA.

Fixtures



Other Options



SternbergLighting

ESTABLISHED 1923 / EMPLOYEE OWNED

800-621-3376
555 Lawrence Ave., Roselle, IL 60172
info@sternberglighting.com
www.sternberglighting.com