



1720LED VILLA SERIES

LED

EPA
1.1 (ft²)
WEIGHT
37 LBS

7 YEAR
WARRANTY

LUMEN
RANGE
4,225 to
9,070

LIFE SPAN
L70
MINIMUM
100,000
HOURS

UL
LISTED

CLICK
FOR FAQ'S

JOB NAME

FIXTURE TYPE

MEMO

*Fixture "A" shown above, additional styles on page 3.

BUILD A PART NUMBER

ORDERING EXAMPLE: **PT-1720CLED-RA-IH1-R3-IL40TS-MDL07-SV2-MS-R5-PE/BKT**

Mounting Config.	Fixture	Roof	Internal Housing	Fitter	LED	CCT	Type	Driver	Internal Lens	Option Mini Shade	Option External Rings	Option Control Recept.	Option Control	Option Fuse	Option Hangstraight	Option House Side Shield	Arm See Arm Spec Sheets	Pole See Pole Spec Sheets	Finish

Mounting Configuration

(Click here to view mounting configuration sheet)

- IW • 2A • 3A90 • 1AM • CAT
- PT • 2A90 • 3APT • 2AM
- 1A • 2APT • 4A • 450PB
- 1APT • 3A • 4APT • SH44¹

W = Wall Mount PT = Post Top A = Arm Mount AM = Arm Mid-Mount PB = Pier Base CAT = Catenary SH = Stem Hung

¹ Include overall drop length in inches after designation for stem application (IE: SH44-48").

Fixture

- 1720ALED • 1720BLED • 1720CLED
- 1720ALEDH • 1720BLEDH • 1720CLEDH

H = Hanging Fixture

Roof

- RA (Deep shade w/ sloped top)
- RB (Deep shade w/ stepped top)
- RC² (Thin shade)
- RD (Shallow shade w/ flat top)
- RE³ (No shade w/ flat top)

² Not for use with "A" or "B" style fixture

³ Not for use with "B" style fixture

Internal Housing⁷

- IH1^{4,5} (Stacked louvers)
- IH2⁵ (Smooth cylinder)
- IH3⁵ (Tapered cylinder)
- IH4⁵ (4-vaned deco)
- IH5⁵ (Ringed cylinder)
- IH6⁶ (Low-rise cone)

⁴ Not for use with "SV2RB" Internal Lens

⁵ For use with "TS" optic only

⁶ For use with "TSL" or "TAL" optic only

⁷ Internal Housing offered with Silver finish only

Fitter

- R3 • R4 • NA⁸

⁸ For use with hanging (H) fixture only

LED

- IL

CCT - Color Temperature (K)

- 27(00) • 30(00) • 40(00) • 50(00)

Distribution Type

- TS (Symmetric, behind internal lens)

- TSL⁹ (Symmetric, with large optic)
- TAL⁹ (Asymmetric, with large optic)

⁹ Not for use with "RC" roof.

Driver

- MDL07 (120V-277V, 700mA)
- MDH07 (347V-480V, 700mA)
- MDL09 (120V-277V, 900mA)
- MDH09 (347V-480V, 900mA)
- MDL11 (120V-277V, 1100mA)
- MDH11 (347V-480V, 1100mA)
- MDL14 (120V-277V, 1400mA)
- MDH14 (347V-480V, 1400mA)

Internal Lens

- SV2RB¹⁰ (Soft Vue Moderate Diffused Ribbed Acrylic Vertical Lens)
- SV2¹⁰ (Soft Vue Moderate Diffused Acrylic Vertical Lens)
- SV4¹⁰ (Soft Vue Maximum Diffused Acrylic Vertical Lens)
- NIL¹¹ (No Internal Vertical Lens)

¹⁰ For use with "TS" optic only.

¹¹ For use with "TSL" or "TAL" optic only.

Options (Click here to view accessories sheet)

- MS¹² Mini-Shade
- ER¹² External Rings
- R¹³ 3-Pin control receptacle only
- R5¹³ 5-Pin control receptacle only
- R7¹³ 7-Pin control receptacle only
- PE¹⁴ Twist-Lock Photocontrol (120V-277V)
- PE3¹⁴ Twist-Lock Photocontrol (347V)
- PE4¹⁴ Twist-Lock Photocontrol (480V)
- SC¹⁴ Shorting Cap
- FHD¹⁵ Double Fuse and Holder
- HSHS¹⁶ Standard Horizontal Hangstraight, Spike Finial
- HSHN¹⁶ Standard Horizontal Hangstraight, No Finial
- HSHB¹⁶ Standard Horizontal Hangstraight, Ball Finial
- EZ¹⁶ Vertical Hangstraight, Large, "EZ" Mount
- HSV¹⁶ Vertical Hangstraight, Standard
- HSS 120° House Side Shield

¹² For use with "C" style fixture only

¹³ Cannot be used with SH44, CAT, EZ or HSV mounting style

¹⁴ Requires control receptacle

¹⁵ Ships loose for installation in base

¹⁶ For use with hanging (H) fixture only

Arm (Click here to link to arm specification page)

See Arms & Wall Brackets specification sheets.

- OM • HM • VC
- VF • VL

Pole (Click here to link to pole specification page)

See Pole specification sheets.

Finish (Click here to view paint finish sheet)

Standard Urban Finishes

- UGMT Gun Metal Textured
- UGM Gun Metal Matte
- UBT Urban Bronze Textured
- UB Urban Bronze Matte
- ULBT Urban Light Bronze Textured
- ULB Urban Light Bronze Matte
- USLT Urban Silver Textured
- USL Urban Silver Matte
- UWHT Urban White Textured
- UWH Urban White Matte
- UCHS Urban Champagne Satin Smooth
- BKT Black Textured

Custom Urban Finishes¹⁷

- CM Custom Match
- CHL Custom Highlights (consult factory for more information)

¹⁷ Smooth finishes are available upon request.

Specifications

Fixture

The Villa series luminaire is a medium scale, arch design fixture featuring a tall, cylindrical body made up of a cast aluminum top and round lens. The Luminaire shall be UL listed in US and Canada.

Optional Mini-Shade / External Rings

Offered on fixture style "C" only.

(Mini-Shade) A small cast aluminum louvered shade measuring 17-1/2" OD x 1-1/2" tall, installed above the shade on roof style RC. Installed under shade on styles RA, RB, RD & RE

(External Rings) 2 flat cast aluminum rings measuring 13" OD, installed above the shade on roof style RC. Installed under shade on styles RA, RB, RD & RE

See next page

1720LED VILLA SERIES

LED

Fitter - Standard

The fixture shall be provided with a heavy wall cast aluminum fitter that can accept a 3" OD (R3), 4" OD (R4) pole or 3" tall tenon. The end of the fitter shall have three (3) stainless steel allen head screws which secures the connection between the fitter and tenon.

LEDs

The luminaire shall use high output, high brightness LED's, consisting of a two piece assembly complete with Chip on Board (COB) LED component and COB holder frame. The LED's and printed circuit boards shall be 100% recyclable; they shall also be protected from moisture and corrosion by a conformal coating of 1 to 3 mils. They shall not contain lead, mercury or any other hazardous substances and shall be RoHS compliant. The LED life rating data shall be determined in accordance with IESNA LM-80. The High Performance white LED's will have a life expectancy of approximately 100,000 hours with not less than 70% of original brightness (lumen maintenance), rated at 25°C. The High Brightness, High Output LED's shall be 4000K (2700K, 3000K or 5000K option) color temperature with a minimum of 70 CRI. Consult factory for custom color CCT. The luminaire shall have a minimum _____ (see table) delivered initial lumen rating when operated at steady state with an average

ambient temperature of 25°C (77°F).

Optics

(TS Optic) The luminaire shall be provided with an individual, molded silicone refractor type optic applied to the COB (Chip On Board) LED assembly. An additional vertical diffused acrylic lens installed inside the unit allows for a high level of visual comfort. All testing shall be done in accordance with IESNA LM-79.

(TSL & TAL Optic) The luminaire shall be provided with an individual, large injection molded acrylic refractor type optic applied to the COB (Chip On Board) LED assembly. The optic visually spreads out size of the light source while creating a Symmetric (TSL) or asymmetric (TAL) light pattern. All testing shall be done in accordance with IESNA LM-79.

Electronic Drivers

The LED driver shall be U.L. Recognized. It shall be securely mounted inside the fixture, for optimized performance and longevity. It shall be supplied with a quick-disconnect electrical connector on the power supply, providing easy power connections and fixture installation. It shall have overload, overheat and short circuit protection, and have a DC voltage output, constant current design, 50/60HZ. It shall be supplied with line-ground, line-neutral and neutral-ground electrical surge protection

in accordance with IEEE/ANSI C62.41.2 guidelines. It shall be a high efficiency driver with a THD less than 20% and a high power factor greater than .9. It shall be dimming capable using a 0-10V signal, consult factory for more information.

Photocontrols

Twist-Lock Style: The photocontrol shall be mounted externally on the fixture and pre-wired to driver. The twist lock type photocontrol is instant on with a 3-6 second turn off, and shall turn on at 1.5 footcandles with a turn-off at 2-3 footcandles. Photocontrol is 120-277 volt and warranted for 6 years.

Wireless Controls

A 5-pin (R5) or 7-pin (R7) NEMA receptacle can be included on the unit for wireless control systems.

Warranty

Seven-year limited warranty. See product and finish warranty guide for details.

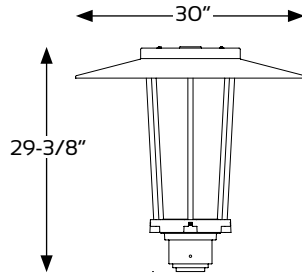
Finish

Refer to website for details.

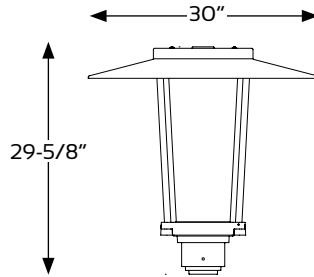
Performance (based on "C" style fixture with "RD" roof)

MODEL #	TS DELIVERED LUMENS	EFFICACY (LPW)	TSL DELIVERED LUMENS	EFFICACY (LPW)	TAL DELIVERED LUMENS	EFFICACY (LPW)	WATTAGE
1L40T_-MDL14	8975	112.2	9070	113.4	8935	111.7	80
1L30T_-MDL14	8745	109.3	8840	110.5	8705	108.8	80
1L27T_-MDL14	7945	99.3	8030	100.4	7910	98.9	80
1L40T_-MDL11	7325	114.5	7365	115.1	7270	113.6	64
1L30T_-MDL11	7140	111.6	7175	112.1	7085	110.7	64
1L27T_-MDL11	6485	101.3	6520	101.9	6435	100.5	64
1L40T_-MDL09	6060	116.5	6130	117.9	6045	116.3	52
1L30T_-MDL09	5905	113.6	5975	114.9	5890	113.3	52
1L27T_-MDL09	5365	103.2	5425	104.3	5350	102.9	52
1L40T_-MDL07	4790	116.8	4845	118.2	4770	116.3	41
1L30T_-MDL07	4670	113.9	4720	115.1	4650	113.4	41
1L27T_-MDL07	4240	103.4	4290	104.6	4225	103.0	41

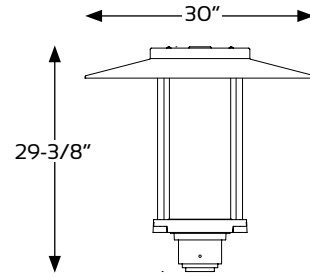
Fixtures



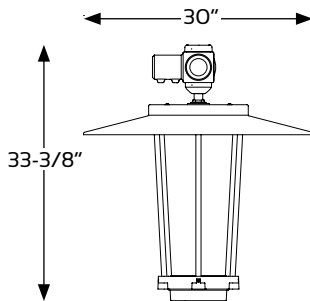
1720ALED-RD



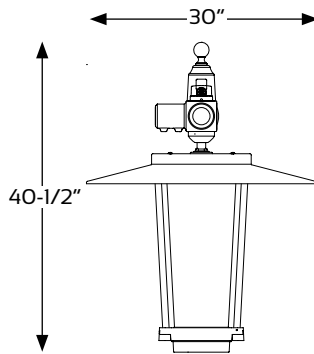
1720BLED-RD



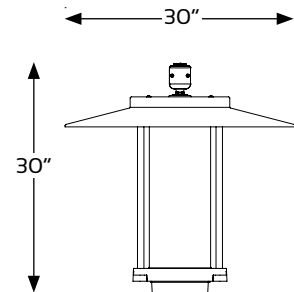
1720CLED-RD



1720ALEDH-RD-HSHN



1720BLEDH-RD-HSHB
With 3-pin Receptacle
(R) and Photocell (PE)



1720CLEDH-RD-EZ

Roof



RA
Deep Shade
with Sloped Top



RB
Deep Shade
with Stepped Top



RC
Thin Shade



RD
Shallow Shade
with Flat Top



RE
No Shade
with Flat Top

Options



MS
Mini-Shade

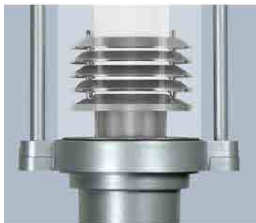


ERS
External Rings



R-PE
Rotolock
Photocell

Internal Housing



IH1
Stacked Louvers



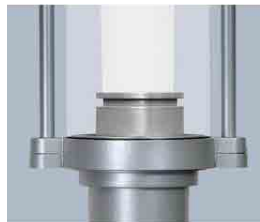
IH2
Smooth Cylinder



IH3
Tapered Cylinder



IH4
4-Vaned Deco



IH5
Ringed Cylinder



IH6
Low Rise Cone



SternbergLighting

ESTABLISHED 1923 / EMPLOYEE OWNED

800-621-3376
555 Lawrence Ave., Roselle, IL 60172
info@sternberglighting.com
www.sternberglighting.com

4/19 STERNBERG LIGHTING. ALL RIGHTS RESERVED. PRINTED IN THE USA.