

1521 OMEGA SERIES

SPECIFICATIONS

GENERAL

1521 Omega R and F series are full cut-off decorative downlight fixtures having a spun aluminum bell styled shade that is available in round or flared edge. Attached to the upper portion of the spun aluminum bell shade is an aluminum casting which acts as a means of coupling the fixture to an assortment of arms. All fixtures have sealed and rotatable optics and are available with flat, sag, clear or frosted glass.

BALLAST HOUSING

The ballast is housed in the upper section of the spun aluminum shade and is easily accessible by means of a tool-less entry door. The ballast tray can be detached from the fixture after removal of 2 screws, lock washer and unclipping two sets of electrical quick disconnect connectors.

ELECTRICAL

The fixture shall be U.L. or E.T.L. listed. H.I.D. ballasts shall be high power factor with lamp starting down to -30 degrees C. Medium and Mogul porcelain sockets are 4KV rated. The ballast tray assembly is connected to the lamp socket and line supply via quick disconnect connectors for ease of replacement. CFL option shall be supplied with a 4-pin socket to accept quad or triple tube lamps. The QL Induction System option provides 5-10 times the life of HID lamps and provides Instant on- Instant restrike. Ballasts shall be DOE EISA compliant.

FIXTURE ASSEMBLY

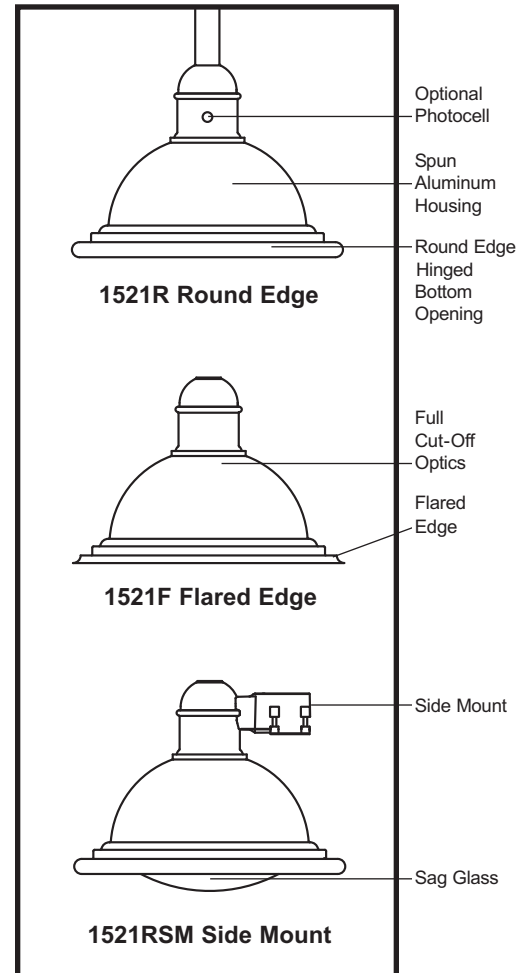
The 1521 fixtures shall be made of spun aluminum and having an outside diameter of 21" x 17 1/4" in height (17" on F). Tool-less entry allows easy access to lamp and ballast. A spring type latch allows access to lamp compartment, and ballast tray. Two decorative shades are available, either round (R) or flared (F). An optional hangstraight (HS) is available to ensure a plumb fixture installation even with unlevel foundations.

LENSES

The luminaire shall be standardly supplied with a clear tempered flat glass (CFG) lens or with optional clear sag glass (CSG), frosted tempered flat glass (FFG), or frosted sag glass (FSG). (Note: FFG and FSG lenses change the photometric output of the luminaire and are recommended for use with only Type 5 distribution).

OPTICAL OPTIONS

NIGHTSKY® STAR-SHIELD® Roof Optics distribution shall be delivered by hydroform roof mounted reflector systems which eliminate uplight and provide full cut-off. The reflector cavity shall be made of specular anodized aluminum. Flat lens models provide full cut-off performance. Roof Optics are available in Type 2 (RO2H), Type 3 (RO3H) and Type 5 (RO5H) horizontal.



**EPA = 0.72 (ft²)
WEIGHT = 20 LBS**

Rated IP65

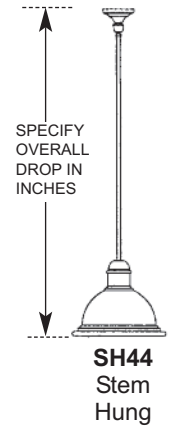
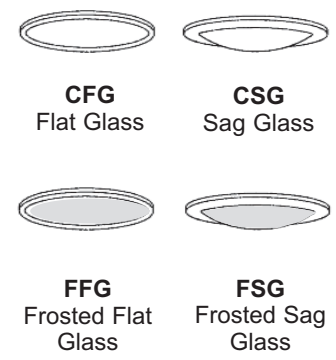
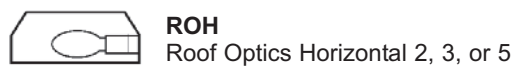
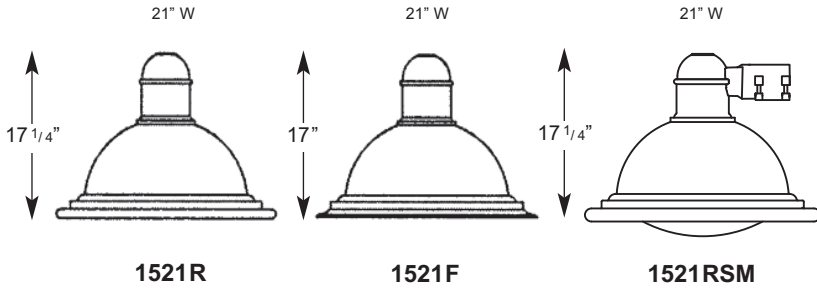


**LIST NO.
1521 OMEGA
SERIES**

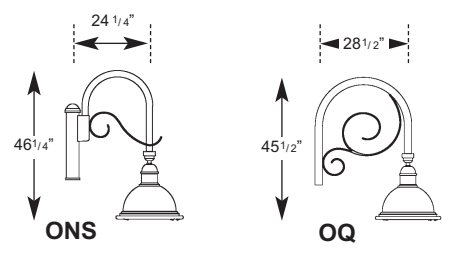
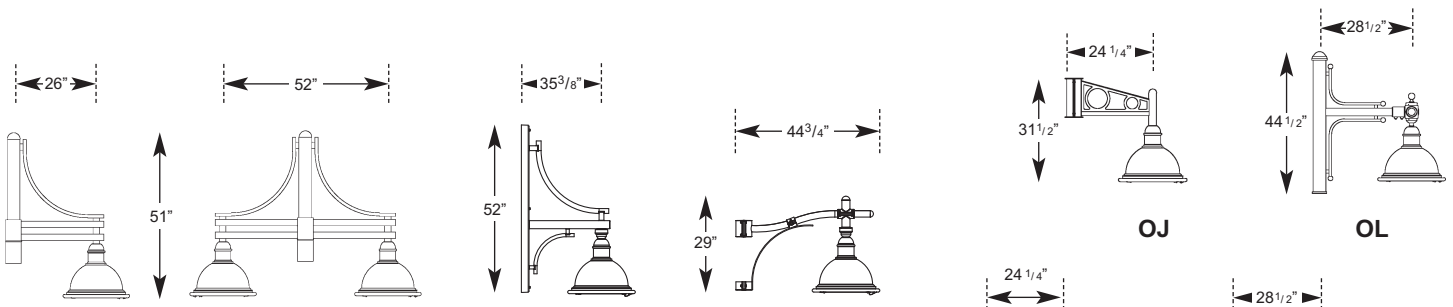
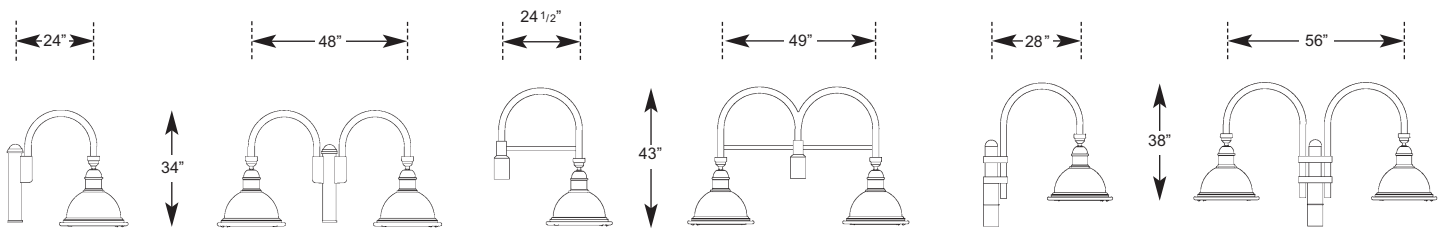
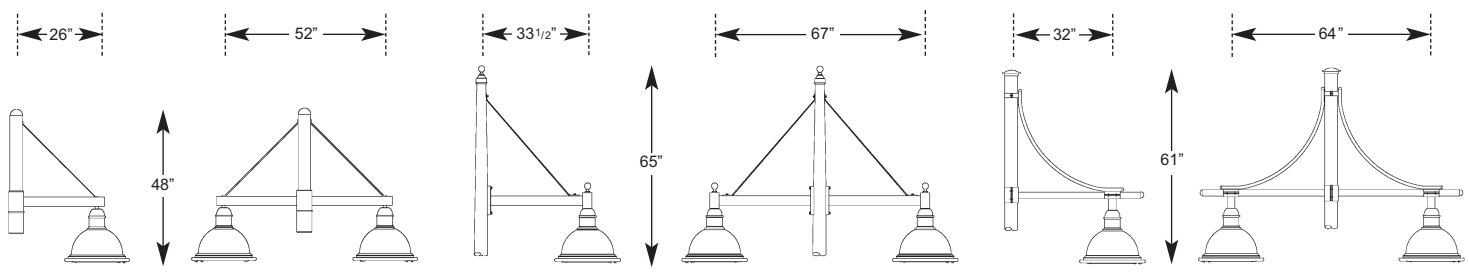
1521 OMEGA

FIXTURES / ARMS PM - WB

FIXTURES **LENSES** **HANGING BRACKETS**



ARMS - POST MOUNT (PM) or WALL BRACKETS (WB) See Arms Section for more information

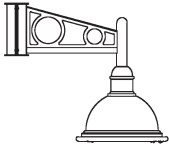


BUILDING A PART NUMBER



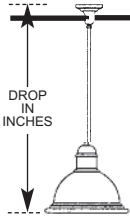
POST & ARM FIXTURES

ARM MOUNTED FIXTURE	CENTER POST TOP FIXTURE (PT)	POST	POST CAP	LIGHT SOURCE BALLAST	OPTICS	OPTIONS	FINISH
NO. OF ARMS	FIXTURE / LENS / POSTARM	FIXTURE	(See Post Section)	WATTS / TYPE / VOLTS			
2	1521RFG/ODS		9114	100 MHP120	RO3H	MHP100/MED	BK



WALL FIXTURES

FIXTURE / LENS / WALL BRACKET	LIGHT SOURCE BALLAST	OPTICS	OPTIONS	FINISH
	WATTS / TYPE / VOLTS			
1521RFG/OJWB	70 MHP120	RO3H	MHP70/MED	BK



HANGING FIXTURES

FIXTURE / LENS / HANGING BRACKET	OVERALL DROP IN INCHES	LIGHT SOURCE BALLAST	OPTICS	OPTIONS	FINISH
		WATTS / TYPE / VOLTS			
1521RFG/SH44	60 INCHES	150 HPS208	RO3H		BK

PART NUMBER SELECTIONS

FIXTURES

- 1521R
- 1521F

LENS

- CFG
- FFG
- CSG
- FSG

OPTICS

- RO2H
- RO3H
- RO5H

POST ARMS

Single / Double

- OA
- OBS
- OC
- ODS
- OES
- OFS
- OGS
- OH
- OI
- OJ
- OL
- ONS
- OQ

HANGING TYPE

- SH44

WALL BRACKET ARMS

- OBSWB
- OCWB
- ODSWB
- OGSWB
- OHWB
- OJWB
- OLWB
- ONSWB
- OQWB

VOLTAGES

- 120
- 208
- 240
- 277
- 480
- MULTI (120-277)

BALLASTS^{2,3}

- 35HPS¹
- 50HPS
- 70HPS
- 100HPS
- 150HPS
- 50MHP
- 70MHP
- 100MHP
- 150MHP
- QL85*

*Consult factory for specification details

LAMPS³

- HPS35/MED
- HPS50/MED
- HPS70/MED
- HPS100/MED
- HPS150/MED
- MHP50/MED
- MHP70/MED
- MHP100/MED
- MHP150/MED

STANDARD FINISHES*

- BKT Black Textured
- WHT White Textured
- PGT Park Green Textured
- ABZT Architectural Medium Bronze Textured
- DBT Dark Bronze Textured

*Smooth Finishes are available upon request

CUSTOM FINISHES

- OI Old Iron
- RT Rust
- WBR Weathered Brown
- CD Cedar
- WBK Weathered Black
- TT Two Tone

STERNBERG SELECT FINISHES

- VG Verde Green
- SI Swedish Iron
- OWGT Old World Gray Textured

OPTIONS

- PEC1 Photocell-Bimetal 120 Volt
- PEC2 Photocell-Bimetal 208-277 Volt
- PEC1-E Photocell-Electronic 120 Volt
- PEC2-E Photocell-Electronic 208-277 Volt
- FHS Single Fuse and Holder-120, 277 Volt
- FHD Dual Fuse and Holder-208, 240, 480 Volt
- QR Quartz Re-Strike
- HS Hangstraight
- LAMPS Select from List

NOTES:

- 1 35HPS is 120 volt only.
- 2 Medium base socket is standard with ballasts up to 150 watts HID.
- 3 Metal halide systems are pulse start.

1521 OMEGA SERIES

SPECIFICATIONS

**LIST NO.
1521 OMEGA
SERIES****PHOTOCELLS*****Bi-metal Cell Option**

Photocells shall be thermo bi-metal button type. On single post-top fixtures the photocell shall be mounted in the top casting and pre-wired to the ballast. On multiple head fixtures photocells shall be mounted in the pole shaft, on an access plate. The photocell is not pre-wired since ballasts are mounted in the fitter and packaged separately. The photocell shall turn on at 1.0 foot-candle and turn off at not more than 5 foot-candles. The photocell is 120V or 208-277 volt.

Electronic Cell Option

Photocells shall be electronic button type. On single post-top fixtures the photocell shall be mounted in the top casting and pre-wired to the ballast. On multiple head fixtures photocells shall be mounted in the pole shaft, on an access plate. The photocell is not pre-wired since ballasts are mounted in the fitter and packaged separately. The photocell is instant-on at 1.5 foot-candle and turn off 5-10 seconds at 2-3 foot-candles. The photocell is 120V or 208-277 volt.

Roto-Lock Type Option (Available with Side Mount Option Only)

Photocells shall be roto-lock design. They shall be thermal-bimetallic switch type. Photocells shall be mounted in the housing on the photocell bracket and pre-wired to the driver. On multi-fixture poles the photocell shall be mounted in the pole shaft on an access plate. The photocell is not pre-wired since drivers are mounted in the fitters and packaged separately. Photocell time delay is 2 minutes to turn on at 1.5 foot-candles and 2 minutes to turn off at no more than 6 foot-candles. The photocell is 120-277 volt.

* **Note: Photocells are not IP rated. Fixture mounted PC eliminates IP65 rating.**

ARMS

All arms are made of cast aluminum and/or extruded aluminum. Arms with decorative filigree have meticulously detailed scroll work and gracefully curved brackets. All fixtures will have its fitter either welded to the arm or will be mechanically attached at the factory to ensure arms will be plumb, secure and level over the life of the installation. Each arm shall be bolted to a post mount adapter, which is welded to the pole to ensure proper alignment to the base. Arms are pre-wired for ease of installation.

FINISH

Prior to coating, each assembly shall be chemically cleaned and etched in a 5-stage washing system which includes alkaline cleaning, rinsing, phosphoric etching, reverse osmosis water rinsing and non-chrome sealing to ensure corrosion resistance and excellent adhesion for the finish coating. The finish coating shall be electrostatically applied semi-gloss, super durable polyester powder baked at 400 degrees for a durable and superior, color retentive finish. Our optional antique Verde Green finish and Swedish Iron finish are hand brushed using a 3-step process. The total assembly shall be wrapped in shockproof wrapping or fully enclosed in corrugated cartons.

WARRANTY

Five-year limited warranty. See product and finish warranty guide for details.

