



1480LED DEL MAR SERIES

LED

EPA
1.34 (ft²)
WEIGHT
38 LBS

7 YEAR
WARRANTY

LUMEN
RANGE
3,815 to
6,635

LIFE
SPAN
L70
MINIMUM
100,000
HOURS

UL
LISTED

CHECK
FOR FAQ'S

IP RATING
IP 65

JOB NAME

FIXTURE TYPE

MEMO

BUILD A PART NUMBER

ORDERING EXAMPLE: **2A-1480LED-IL40T5-MDL10-A-FHD-HSV/OEPT/3316P5/BKT**

Mounting Config.	Fixture	LED	CCT	Type	Driver	Lens	Option Control Receptacle	Option Control	Option Fuse	Option Hangstraight	Option House Side Shield	Arm See Arm Spec Sheets	Pole See Pole Spec Sheets	Finish

Mounting Configuration

(Click here to link to mounting configuration specification page)

- IW •3A •2AM
- 1A •3A90 •SH44¹
- 2A •4A •CH44¹
- 2A90 •1AM

W = Wall Mount A = Arm Mount AM = Arm Mid-Mount SH = Stem Hung CH = Chain Hung

¹Include overall drop length in inches after designation for Stem/Chain application (IE: CH44-48")

Fixture

- 1480LED

LED

- IL

CCT - Color Temperature (K)

- 27(00) • 30(00) • 35(00) • 40(00) • 50(00)

Distribution Type

- T2 • T3 • T4 • T5

Driver

- MDL07 (120v-277v, 700mA)
- MDL10 (120v-277v, 1050mA)
- MDH07 (347v-480v, 700mA)
- MDH10 (347v-480v, 1050mA)

Lens

- A (Acrylic) • FA (Frosted Acrylic)

Options (Click here to view accessories sheet)

- R7² 7-Pin control receptacle only
- PE³ Twist-Lock Photocontrol (120v-277v)
- PE3³ Twist-Lock Photocontrol (347v)
- PE4³ Twist-Lock Photocontrol (480v)
- SC³ Shorting Cap
- FHD⁴ Double Fuse and Hold
- HSHS Standard Horizontal Hangstraight, Spike Finial
- HSHN Standard Horizontal Hangstraight, No Finial
- HSHB Standard Horizontal Hangstraight, Ball Finial
- EZ Vertical Hangstraight, Large, "EZ" Mount
- HSS 120° House Side Shield

²For use with "HSH_" hang straights only.

³Requires control receptacle.

⁴Ships loose for installation in base.

Arm (Click here to link to arm specification page)

See Arms & Wall Brackets specification sheets.

- 50 • 80 • 6236 • TASCRA • R3⁵
- 478 • 480 • 579 • BA
- 70 • 55 • TA • R2⁵

⁵Luminaires above grade height to be 2' higher than pole height, REQUIRES "EZ" hangstraight.

Pole (Click here to link to pole specification page)

See Pole specification sheets.

Finish (Click here to view paint finish sheet)

Standard Finishes⁶

- BKT Black Textured
- WHT White Textured
- PGT Park Green Textured
- ABZT Architectural Medium Bronze Textured
- DBT Dark Bronze Textured

⁶Smooth finishes are available upon request.

Custom Finishes⁷

- CM Custom Match
- OI Old Iron
- RT Rust
- WBR Weathered Brown
- CD Cedar
- WBK Weathered Black
- TT Two Tone

⁷Custom colors require upcharge.

Sternberg Select Finishes

- VG Verde Green
- SI Swedish Iron
- OWGT Old World Gray Textured

Specifications

Fixture

The 1480 Del Mar fixture is a medium scale, contemporary down light with unique detail. It shall be 24" wide and the overall height shall be 28-1/2". It shall be made of heavy wall cast aluminum, 356 alloy, extruded aluminum fabricated tube cage and flared aluminum shades around a large diameter acrylic tube lens. The Luminaire shall be UL listed in US and Canada.

LED's

The luminaire shall use high output, high brightness LED's, consisting of a two piece assembly complete with Chip on Board (COB) LED component and COB holder frame. The LED's and printed circuit boards shall be 100% recyclable; they shall also be protected from moisture and corrosion by a conformal coating. They shall not contain lead, mercury or any other hazardous substances and shall be RoHS compliant. The LED life rating data shall be determined in accordance with IESNA LM-80. The High Performance white LED's will have a life expectancy of approximately 100,000 hours with not less than 70% of original brightness (lumen maintenance), rated at 25°C. The High Brightness, High Output LED's shall be 4000K (2700K, 3000K, 3500K or 5000K option) color temperature with a minimum of 70 CRI. Consult factory for custom color CCT. The luminaire shall have a minimum _____ (see table) delivered initial lumen rating when operated at steady state with an average ambient temperature of 25°C (77°F).

Optics

The luminaire shall be provided with individual, molded silicone refractor type optics applied to each COB (Chip On Board) LED assembly. The optic shall be at least 92% efficient while providing superior thermal, UV and impact resistance for the COB assembly. The optic ensures precise light control while providing cutoff control that limits or contains up-light. The luminaire shall provide Type ____ (2, 3, 4 or 5) light distribution per the IESNA classifications. Testing shall be done in accordance with IESNA LM-79.

Electronic Drivers

The LED driver shall be U.L. Recognized. It shall be securely mounted inside the fixture, for optimized performance and longevity. It shall be supplied with a quick-disconnect electrical connector on the power supply, providing easy power connections and fixture installation. It shall have overload, overheat and short circuit protection, and have a DC voltage output, constant current design, 50/60HZ. It shall be

See next page



SternbergLighting

ESTABLISHED 1923 / EMPLOYEE OWNED

800-621-3376
555 Lawrence Ave., Roselle, IL 60172
info@sternberglighting.com
www.sternberglighting.com

supplied with line-ground, line-neutral and neutral-ground electrical surge protection in accordance with IEEE/ANSI C62.41.2 guidelines. It shall be a high efficiency driver with a THD less than 20% and a high power factor greater than .9. It shall be dimming capable using a 0-10v signal, consult factory for more information.

Lens

The luminaire shall include an injection molded acrylic lens assembly mechanically attached to the luminaire housing and shall provide protection for all internal optic components from dirt, dust, bugs, water and impact. It shall have an IP rating of no less than 65.

Photocontrols

Twist-Lock Style: The photocontrol shall be mounted on the hang-straight and pre-wired to driver. The twist lock type photocontrol is instant on with a 3-6 second turn off, and shall turn on at 1.5 footcandles with a turn-off at 2-3 footcandles. Photocontrol is 120-277 volt and warranted for 6 years.

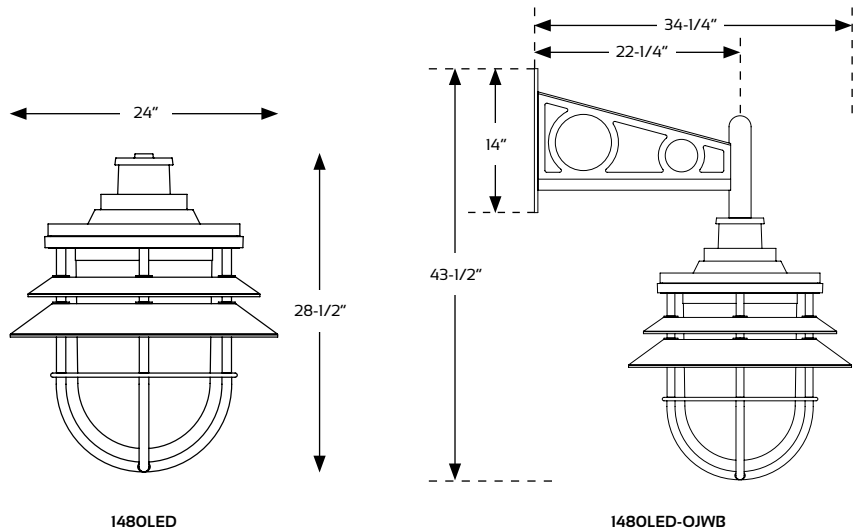
Warranty

Seven-year limited warranty. See product and finish warranty guide for details.

Finish

Refer to website for details.

Fixtures



Performance

MODEL #	T2 DELIVERED LUMENS	EFFICACY (LPW)	T3 DELIVERED LUMENS	EFFICACY (LPW)	T4 DELIVERED LUMENS	EFFICACY (LPW)	T5 DELIVERED LUMENS	EFFICACY (LPW)	WATTAGE
1L40T_-MDL10	6040	100.7	6195	103.3	6215	103.6	6635	110.6	60
1L30T_-MDL10	5885	98.1	6035	100.6	6055	100.9	6465	107.8	60
1L27T_-MDL10	5350	89.2	5485	91.4	5500	91.7	5875	97.9	60
1L40T_-MDL07	4310	107.8	4435	110.9	4425	110.6	4670	116.8	40
1L30T_-MDL07	4200	105.0	4320	108.0	4310	107.8	4550	113.8	40
1L27T_-MDL07	3815	95.4	3925	98.1	3920	98.0	4135	103.4	40