



# 1380LED CLAYTON SERIES



EPA  
.75 (ft<sup>2</sup>)  
WEIGHT  
40 LBS

7 YEAR  
WARRANTY

LUMEN  
RANGE  
3,595 -  
9,005

LIFE SPAN  
L70  
MINIMUM  
100,000  
HOURS

UL  
LISTED

CLICK  
FOR FAQ'S

JOB NAME \_\_\_\_\_

FIXTURE TYPE \_\_\_\_\_

MEMO \_\_\_\_\_

## BUILD A PART NUMBER

ORDERING EXAMPLE: **PT-1380LED-4L40T5-MDLO3-FA-R/3314P5/BKT**

Mounting Config.	Fixture	LED	CCT	Type	Driver	Lens	Option Photocell	Option Fuse	Option Opal Top Lens	Option Uplight Shield	Arm <small>See Arm Spec Sheets</small>	Pole <small>See Pole Spec Sheets</small>	Finish

### Mounting Configuration

(Click here to view mounting configuration sheet)

- 1W      • 2A      • 3A90    • 1AM
- PT      • 2A90    • 3APT    • 2AM
- 1A      • 2APT    • 4A      • 450PB
- 1APT    • 3A      • 4APT

W = Wall Mount    PT = Post Top    A = Arm Mount    AM = Arm Mid-Mount    PB = Pier Base

### Fixture

- 1380LED

### LED

- 4L

### CCT - Color Temperature (K)

- 27(00)    • 30(00)    • 40(00)    • 50(00)

### Type

- T3                      • T5

### Driver

- MDL02 (120v-277v, 250mA)
- MDL03 (120v-277v, 350mA)
- MDL05 (120v-277v, 500mA)
- MDL06 (120v-277v, 630mA)
- MDH02 (347v-480v, 250mA)
- MDH03 (347v-480v 350mA)
- MDH05 (347v-480v, 500mA)
- MDH06 (347v-480v, 630mA)

### Lens

- FA (Frosted Acrylic Lens)

### Options (Click here to view accessories sheet)

- PEC Electronic Button Photocontrol (120v-277v)
- PEC4 Electronic Button Photocontrol (480v)
- FHD<sup>1</sup> Double Fuse and Holder
- OT Opal Top Lens
- ULS Uplight Shield

<sup>1</sup> Ships loose for installation in base.

### Arm (Click here to link to arm specification page)

See Arms & Wall Brackets specification sheets.

- 480    • 62    • 579    • 779    • TA

### Pole (Click here to link to pole specification page)

See Pole specification sheets.

### Finish

#### Standard Urban Finishes (Click here to view paint finish sheet)

- UGMT Gun Metal Textured
- UGM Gun Metal Matte
- UBT Urban Bronze Textured
- UB Urban Bronze Matte
- ULBT Urban Light Bronze Textured
- ULB Urban Light Bronze Matte
- USLT Urban Silver Textured
- USL Urban Silver Matte
- UWHT Urban White Textured
- UWH Urban White Matte
- UCHS Urban Champagne Satin Smooth
- BKT Black Textured

#### Custom Urban Finishes<sup>2</sup>

- CM Custom Match

<sup>2</sup> Smooth finishes are available upon request.

## Specifications

### Fixture

The 1380LED Clayton luminaire is a large scale, vintage design fixture featuring scalloped ovoid frosted acrylic lenses nested in a cast aluminum cage. It is appointed with a cast ball finial. The luminaire shall be UL listed in US and Canada.

### Fitter

The fixture shall be provided with a heavy wall cast aluminum fitter that can accept a 3" OD pole or 3" tall tenon. The end of the fitter shall have four (4) stainless steel allen head screws which secures the connection between the fitter and tenon.

### LEDs

The luminaire shall use high output, high brightness LED's, consisting of a two piece assembly complete with Chip on Board (COB) LED component and COB holder frame. The LED's and printed circuit boards shall be 100% recyclable; they shall also be protected from moisture and corrosion by a conformal coating of 1 to 3 mils. They shall not contain lead, mer-

cury or any other hazardous substances and shall be RoHS compliant. The LED life rating data shall be determined in accordance with IESNA LM-80. The High Performance white LED's will have a life expectancy of approximately 100,000 hours with not less than 70% of original brightness (lumen maintenance), rated at 25°C. The High Brightness, High Output LED's shall be 4000K (3000K or 5000K option) color temperature with a minimum of 70 CRI. Consult factory for custom color CCT. The luminaire shall have a minimum \_\_\_\_\_ (see table) delivered initial lumen rating when operated at steady state with an average ambient temperature of 25°C (77°F)

### Electronic Drivers

The LED driver shall be U.L. Recognized. It shall be securely mounted inside the fixture, for optimized performance and longevity. It shall be supplied with a quick-disconnect electrical connector on the power supply, providing easy power connections and fixture installation. It shall have overload as well as short circuit protection, and have a DC voltage output, constant current design, 50/60HZ. It shall be supplied with line-ground, line-neutral and neutral-ground electrical surge protection in accordance with IEEE/ANSI C62.41.2 guidelines. It shall be dimmable using a 0-10v signal. **For sources over 50w:** The driver shall have a minimum efficiency of 90%. The driver shall be rated at full load with THD<20% and a power factor of greater than 0.90. The driver shall contain over-heat protection.

**For sources under 50w:** The driver shall have a minimum efficiency of 88%.

### Photocontrols

**Button Style:** The photocontrol shall be mounted in the pole shaft on an access plate. The electronic button type photocontrol is instant on with a 5-10 second turn off, and shall turn on at 1.5 footcandles with a turn-off at 2-3 footcandles. Photocontrol is 120-277 volt and warranted for 6 years..

See next page

# 1380LED CLAYTON SERIES

LED

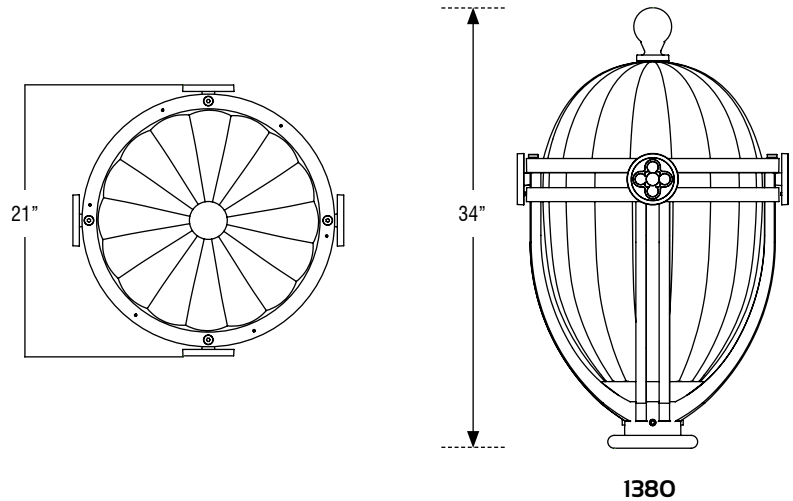
## Warranty

Seven-year limited warranty. See product and finish warranty guide for details.

## Finish

Refer to website for details.

## Fixtures



## Performance

MODEL #	T3 DELIVERED LUMENS	EFFICACY (LPW)	T5 DELIVERED LUMENS	EFFICACY (LPW)	WATTAGE
4L27T_-MDL06	7705	77.8	7890	79.7	99
4L30T_-MDL06	8510	86.0	8715	88.0	99
4L40T_-MDL06	8795	88.8	9005	91.0	99
4L27T_-MDL05	6520	82.5	6445	81.6	79
4L30T_-MDL05	7200	91.1	7120	90.1	79
4L40T_-MDL05	7440	94.2	7355	93.1	79
4L27T_-MDL03	4910	89.3	4990	90.7	55
4L30T_-MDL03	5425	98.6	5515	100.3	55
4L40T_-MDL03	5605	101.9	5695	103.5	55
4L27T_-MDL02	3595	92.2	3645	93.5	39
4L30T_-MDL02	3970	101.8	4025	103.2	39
4L40T_-MDL02	4105	105.3	4155	106.5	39