



# 1330 METRO SERIES

**HID**

EPA  
0.70 (ft<sup>2</sup>)  
WEIGHT  
10 LBS

5 YEAR  
WARRANTY

UL  
LISTED

CLICK  
FOR FAQ'S

JOB NAME \_\_\_\_\_

FIXTURE TYPE \_\_\_\_\_

MEMO \_\_\_\_\_

## BUILD A PART NUMBER

ORDERING EXAMPLE: **2A-1330-5P-100HPS120-MED-WA-FHS/579PT/6214FP5/BKT**

Mounting Config.	Fixture	Ballast	Volts	Socket	Optic	Lens	Option Fuse	Option House Side Shield	Arm See Arm Spec Sheets	Pole See Pole Spec Sheets	Finish

### Mounting Configuration

(Click here to link to mounting configuration specification page)

- IW      • 2APT      • 1AM      • CH28<sup>1</sup>
- PT      • 3A        • 2AM      • SH44<sup>1</sup>
- 1A      • 3A90     • 450PB    • SH27<sup>1</sup>
- 1APT    • 3APT     • 673PB    • SH28<sup>1</sup>
- 2A      • 4A        • CH44<sup>1</sup>
- 2A90    • 4APT     • CH27<sup>1</sup>

W = Wall Mount PT = Post Top APT = Post Top Arm Mid-Mount  
A = Arm Mount AM = Arm Mid-Mount PB = Pier Base SH = Stem Hung CH = Chain Hung

<sup>1</sup> Include overall drop length in inches after designation for Stem/Chain application (IE: CH44-48").

### Fixture

- 1330      • 1330F

### Ballast<sup>2,3</sup>

- 35HPS<sup>4</sup>      • 50MHP      • 32CFL
- 50HPS        • 70MHP      • 42CFL
- 70HPS        • 100MHP     • INCAND
- 100HPS       • 150MHP     (100w MAX)
- 150HPS       • 26CFL

<sup>2</sup> Medium base sockets standard. 4-pin for CFL

<sup>3</sup> Metal halide systems are pulse start.

<sup>4</sup> 35HPS is 120 volt only.

### Volts

- 120    • 208    • 240    • 277    • 347    • 480

### Socket

- MED            • MOG            • 4P (4-Pin)

### Optics

- HSS

### Lens (White, Red, Blue and Frosted)

- WA (White Acrylic)      • RA (Red Acrylic)
- BA (Blue Acrylic)        • FA (Frosted Acrylic)
- WP (White Poly)         • RP (Red Poly)
- BP (Blue Poly)          • FP (Frosted Poly)

### Options (Click here to view accessories sheet)

- FHS<sup>5</sup> Single Fuse & Holder (120V, 277V & 347V)
- FHD<sup>5</sup> Dual Fuse & Holder (208V, 240V & 480V)
- HSS 120° House Side Shield

<sup>5</sup> Ships loose for installation in base.

### Arm (Click here to link to arm specification page)

See Arms & Wall Brackets specification sheets.

- 50      • 480      • 6236      • R
- 78      • 55        • 579        • 9I
- 478    • 62        • TA
- 80      • 121      • TASCAR

### Pole (Click here to link to pole specification page)

See Pole specification sheets.

### Finish (Click here to view paint finish sheet)

#### Standard Finishes<sup>6</sup>

- BKT Black Textured
- WHT White Textured
- PGT Park Green Textured
- ABZT Architectural Medium Bronze Textured
- DBT Dark Bronze Textured

<sup>6</sup> Smooth finishes are available upon request.

#### Custom Finishes<sup>7</sup>

- CM Custom Match
- OI Old Iron
- RT Rust
- WBR Weathered Brown
- CD Cedar
- WBK Weathered Black
- TT Two Tone

<sup>7</sup> Custom colors require upcharge.

#### Sternberg Select Finishes

- VG Verde Green
- SI Swedish Iron
- OWGT Old World Gray Textured

## Specifications

### Fixture

The 1330 fixture shall be 18" wide and the overall height shall be 24". It will be made of vandal resistant polycarbonate or dent resistant (DR) acrylic. Globes shall be available in the following colors: frosted, white, red or blue. The basket assembly shall be made of 356 cast aluminum alloy having an 18" diameter ring with 8 curved ribs cradling the lower portion of the globe. The dish fitter shall be heavy wall cast aluminum, 356 alloy for high tensile strength. The dish fitter shall be 6" diameter and to attach to the 5" neck of the globe. It shall have an inside diameter opening to 3" diameter pole or tenon. When ordered with a Sternberg aluminum pole, the fitter shall be set screwed to the pole top or tenon. The Luminaire shall be UL listed in US and Canada.

### Electrical

HID ballasts shall be high power factor with lamp starting down to -30 degrees C. Medium base and mogul base porcelain sockets are 4KV rated. The ballast/socket assembly shall be pre-wired when ballast is located in the fitter. Ballasts shall be DOE EISA compliant.

### Optical

House Side Shield shall be an additional optic used to block 120° of light in any one direction.

### Warranty

Five-year limited warranty. See product and finish warranty guide for details.

### Finish

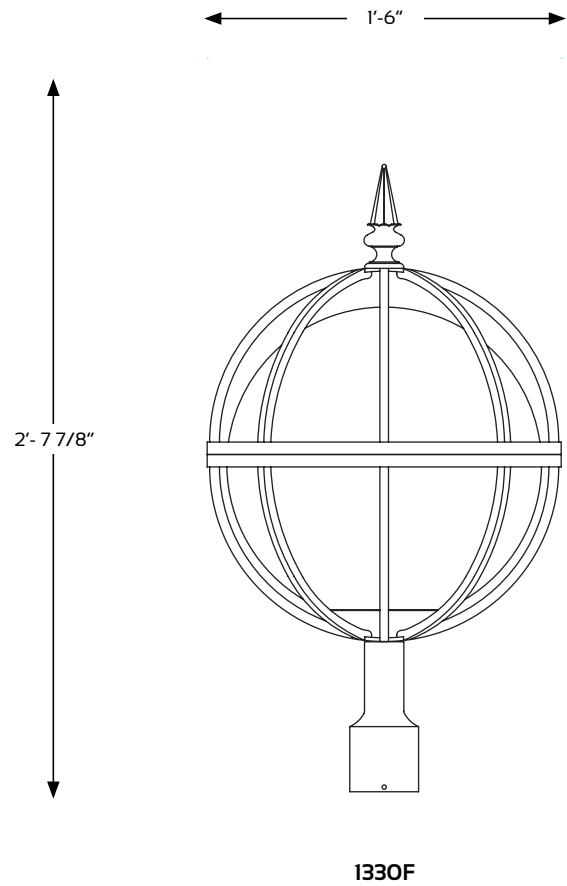
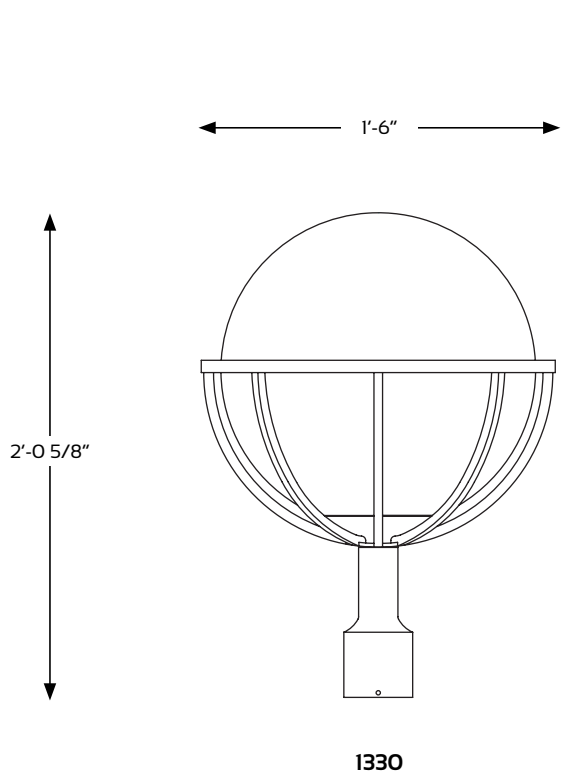
Refer to website for details.

See next page

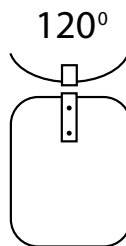
# 1330 METRO SERIES

HID

## Fixtures



## Optical Systems



HSS  
House Side  
Shield



**SternbergLighting**

ESTABLISHED 1923 / EMPLOYEE OWNED

800-621-3376  
555 Lawrence Ave., Roselle, IL 60172  
info@sternberglighting.com  
www.sternberglighting.com

7/18 STERNBERG LIGHTING. ALL RIGHTS RESERVED. PRINTED IN THE USA.