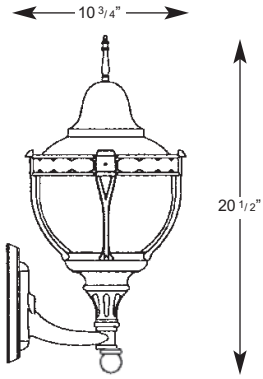


# 1120B RIPON RESIDENTIAL SERIES

# SPECIFICATIONS

FIXTURES	SOCKET TYPE	BB BALLAST BOX
----------	-------------	----------------



**1120B/16**



**MED**  
Single Medium  
Base Socket



**PL**  
Compact  
Fluorescent

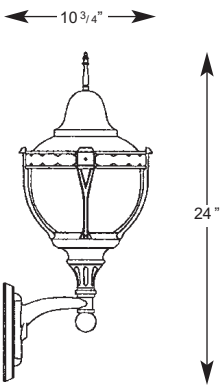
**879BB** - Medium  
Scale for up to 50  
watt ballasts



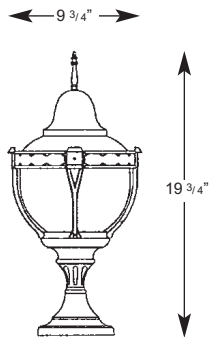
**27BB** - Hanging or  
Pier for up to 50  
watt ballasts



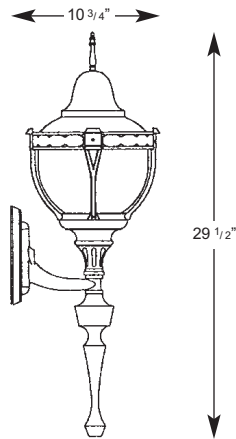
ARMS - POST MOUNT (PM) or WALL BRACKETS (WB)
----------------------------------------------



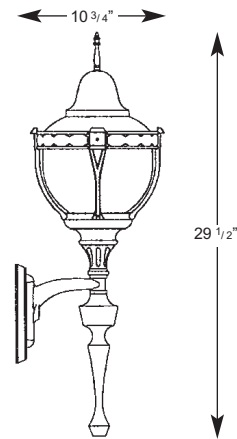
**1120B/15**



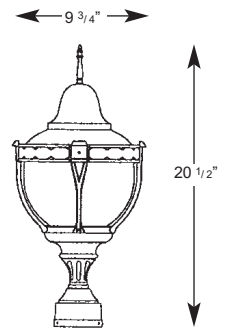
**1120B/35**



**1120B/17**



**1120B/18**



**1120B/30\***

\* Remote Ballast Box required if HID or CF.  
1120B Series requires a Ballast Box that adds 3".

# BUILDING A PART NUMBER



## POST & ARM FIXTURES

ARM MOUNTED FIXTURE	CENTER POST TOP FIXTURE (PT)	POST	POST CAP	LIGHT SOURCE BALLAST	OPTICS	OPTIONS	FINISH
NO. OF ARMS	FIXTURE / FITTER / POSTARM	ACORN / FITTER	(See Post Section)	WATTS / TYPE / VOLTS			
2	1120B/15	PT	4212 FP4	BCC / 50HPS120			BKT



## WALL FIXTURES

ACORN / FITTER / WALLBRACKET	LIGHT SOURCE BALLAST	OPTICS	OPTIONS	FINISH
1120B/15	INCAND			BKT



**PIER FIXTURES**  
Uses same information boxes as wall fixture

1120B/35PB

ACORN / FITTER / PIER BASE

## PART NUMBER SELECTIONS

### FIXTURES<sup>1</sup>

- 1120B/15
- 1120B/16
- 1120B/17
- 1120B/18
- 1120B/30
- 1120B/35

### SOCKETS

- MED
- PL

### LENSES

- CP
- WP

### OPTIONS

- LAMPS
- Select from List

### BALLASTS<sup>1,4</sup>

- 35HPS<sup>2</sup>
- 50HPS
- 50MHP
- 26PLT
- 32PLT
- 42PLT
- INCAND (100 watt max.)

### BB - BALLAST BOX

- 879BB - Medium Scale for up to 50 watt ballasts
- 27BB - Hanging or Pier for up to 50 watt ballasts

### LAMPS<sup>5</sup>

- HPS35/MED
- HPS50/MED
- MHP50/MED
- PLT26
- PLT32
- PLT42

### PIER BASE

- 27BB
- 35PB

### STANDARD FINISHES\*

- BKT Black Textured
- WHT White Textured
- PGT Park Green Textured
- ABZT Architectural Medium Bronze Textured
- DBT Dark Bronze Textured

\*Smooth Finishes are available upon request

### CUSTOM FINISHES

- OI Old Iron
- RT Rust
- WBR Weathered Brown
- CD Cedar
- WBK Weathered Black
- TT Two Tone

### STERNBERG SELECT FINISHES

- VG Verde Green
- SI Swedish Iron
- OWGT Old World Gray Textured

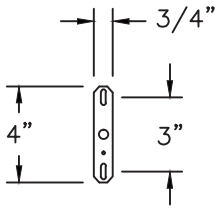
### NOTES:

- 1 Pole mounted fixtures - requires ballast to be mounted in pole base.
- 1 Wall mounted fixtures - requires wall bracket arms with ballast box.
- 1 Pier mounted fixtures - require PB27BB if ballasted.
- 1 Hanging fixtures - require CH/SH27BB if ballasted.
- 2 35HPS is 120 volt only.
- 3 Medium base socket only when used to house lamp.
- 4 Medium base sockets standard with HID ballasts. 4-pin for PL.
- 5 Metal halide systems are pulse start.

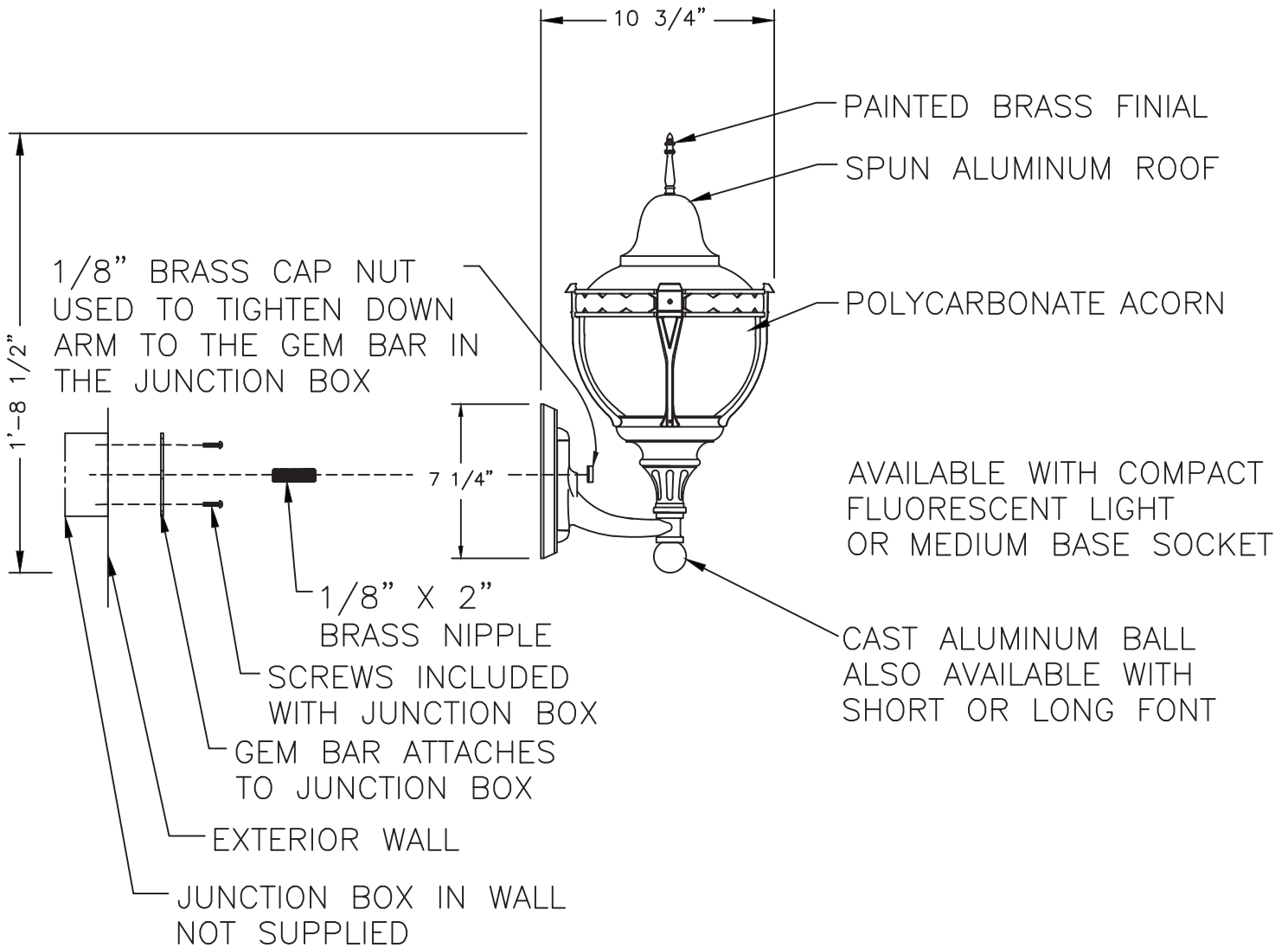
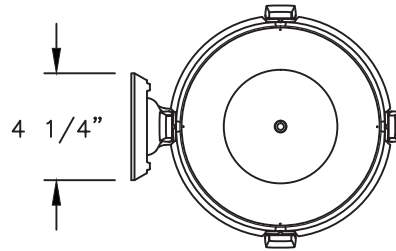
# 1120B/16 RIPON RESIDENTIAL SERIES

ALL ELECTRICAL COMPONENTS ARE U.L. OR E.T.L. LISTED IN USA AND CANADA.

FIXTURE WILL BE PREWIRED AND TESTED. MOUNTING HARDWARE IS SUPPLIED.



GEM BAR



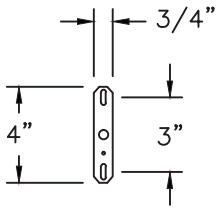
1120B / 16

3/16"=1'	DRAWN LMG
	DRAWN DATE APR 4 2011
DRAWING NUMBER	

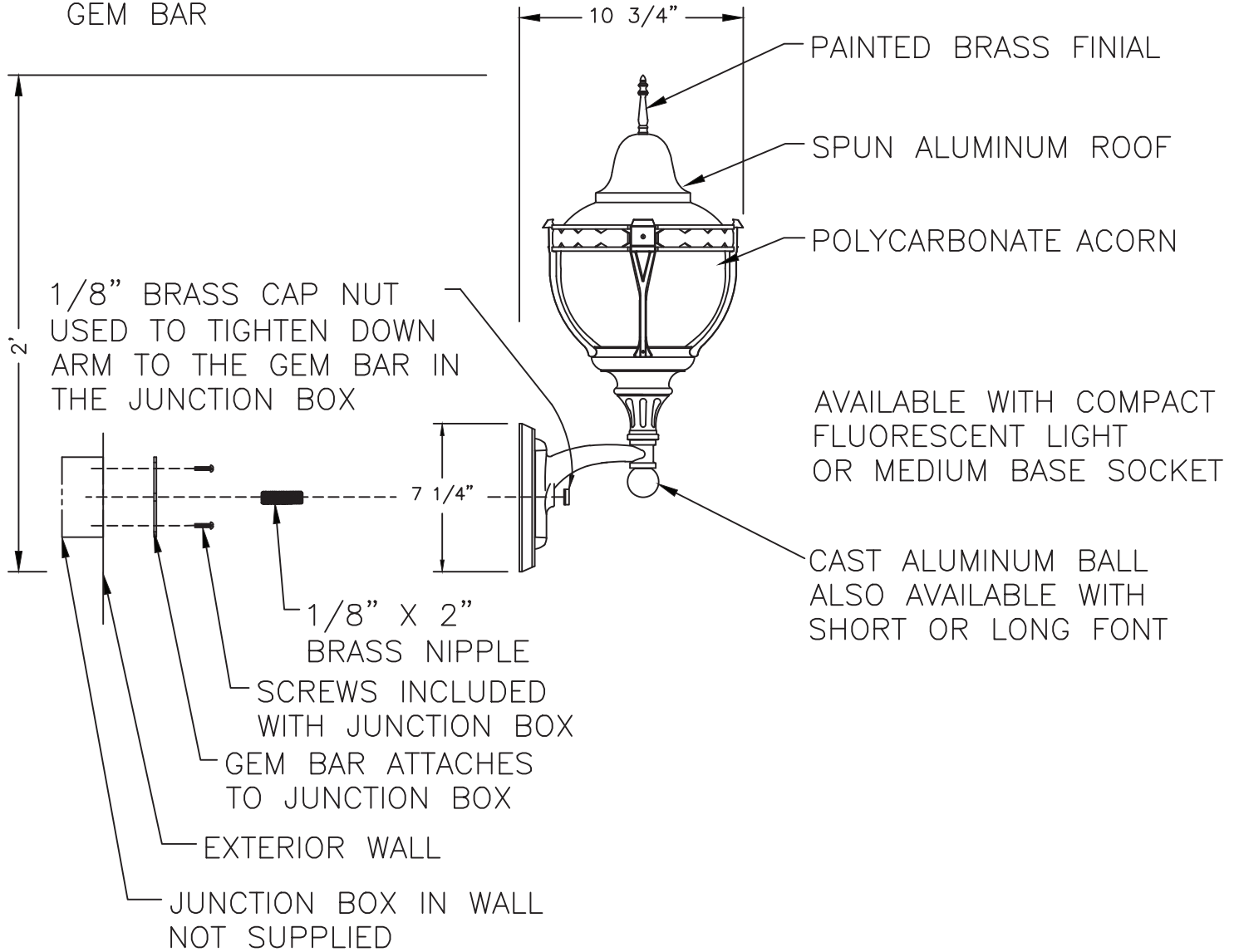
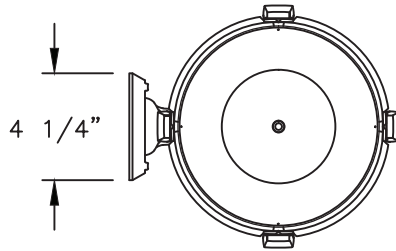
# 1120B/15 RIPON RESIDENTIAL SERIES

ALL ELECTRICAL COMPONENTS ARE U.L. OR E.T.L. LISTED IN USA AND CANADA.

FIXTURE WILL BE PREWIRED AND TESTED. MOUNTING HARDWARE IS SUPPLIED.



GEM BAR



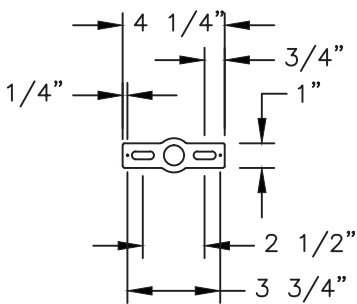
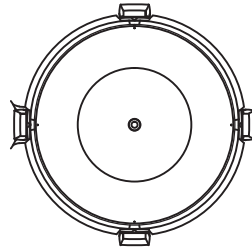
1120B / 15

3/16"=1'	DRAWN LMG
	DRAWN DATE APR 4 2011
DRAWING NUMBER	

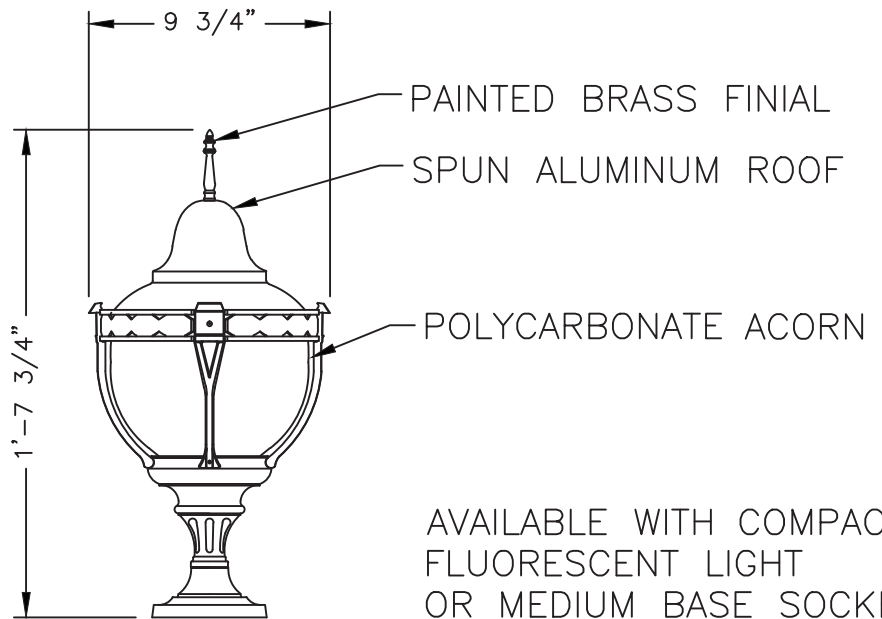
# 1120B/35 RIPON RESIDENTIAL SERIES

ALL ELECTRICAL COMPONENTS ARE U.L. OR E.T.L. LISTED IN USA AND CANADA.

FIXTURE WILL BE PREWIRED AND TESTED. MOUNTING HARDWARE IS SUPPLIED.



MOUNTING STRAP

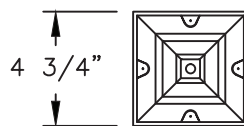
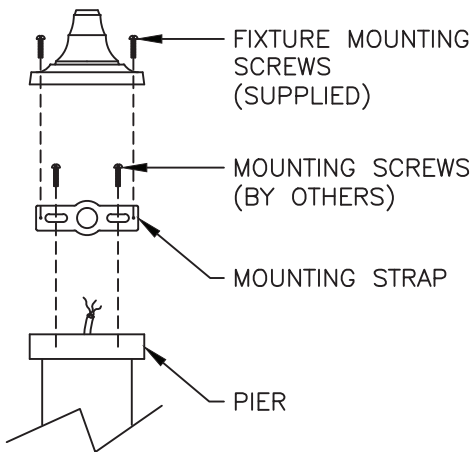


PAINTED BRASS FINIAL

SPUN ALUMINUM ROOF

POLYCARBONATE ACORN

AVAILABLE WITH COMPACT FLUORESCENT LIGHT OR MEDIUM BASE SOCKET



PIER BASE SECURED WITH (2) 10-24 X 5/8" RHMS



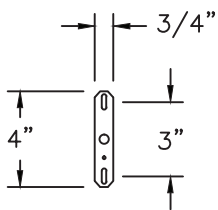
1120B/35

DRAWN LMG  
 DRAWN DATE APR 6 2011  
 3/16"=1'  
 DRAWING NUMBER

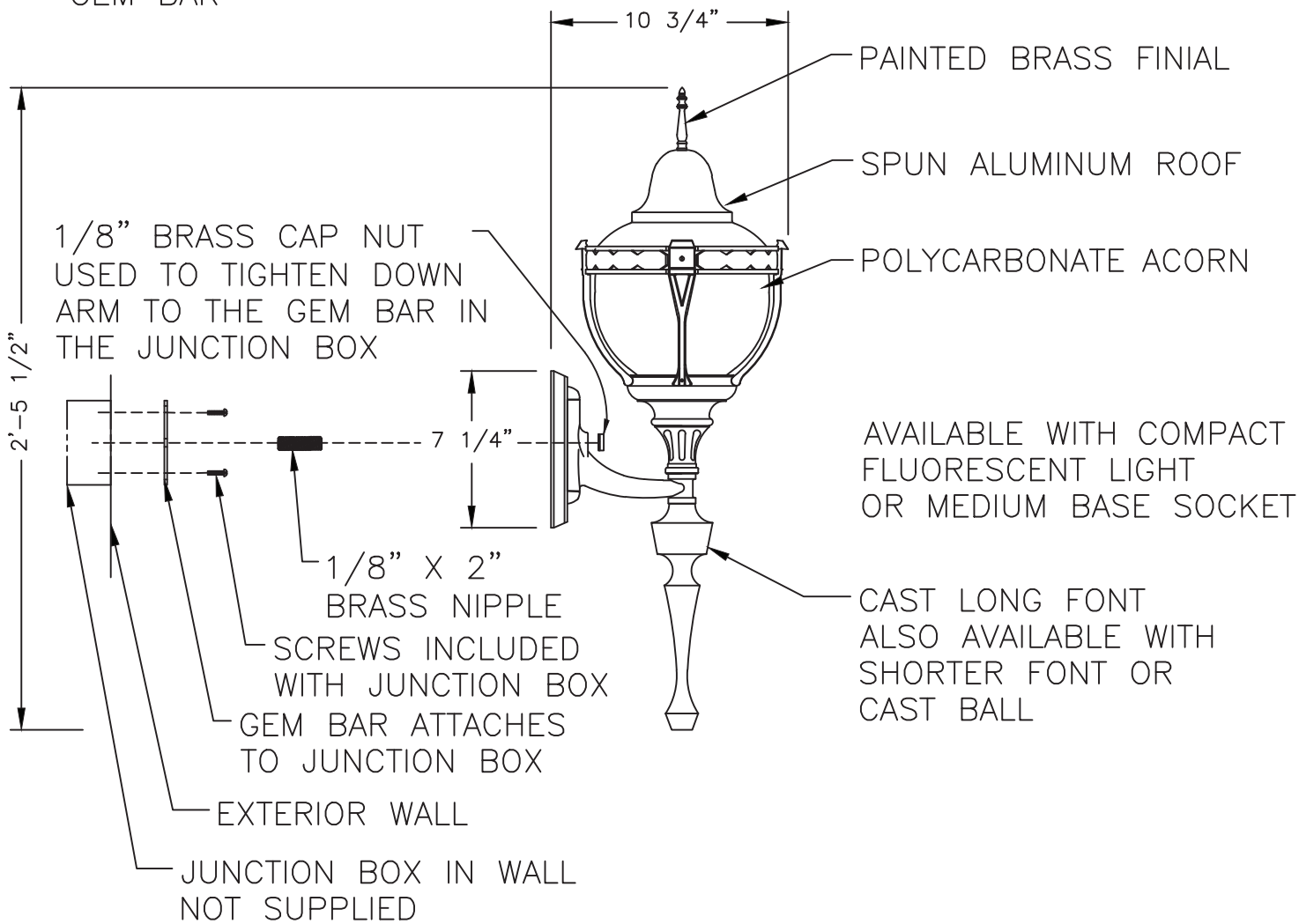
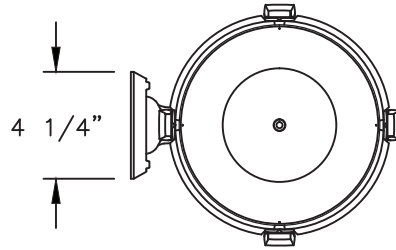
# 1120B/17 RIPON RESIDENTIAL SERIES

ALL ELECTRICAL COMPONENTS ARE U.L. OR E.T.L. LISTED IN USA AND CANADA.

FIXTURE WILL BE PREWIRED AND TESTED. MOUNTING HARDWARE IS SUPPLIED.



GEM BAR



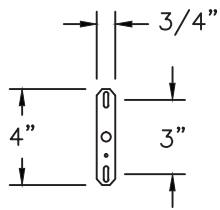
1120B/17

3/16"=1'	DRAWN LMG
	DRAWN DATE APR 6 2011
DRAWING NUMBER	

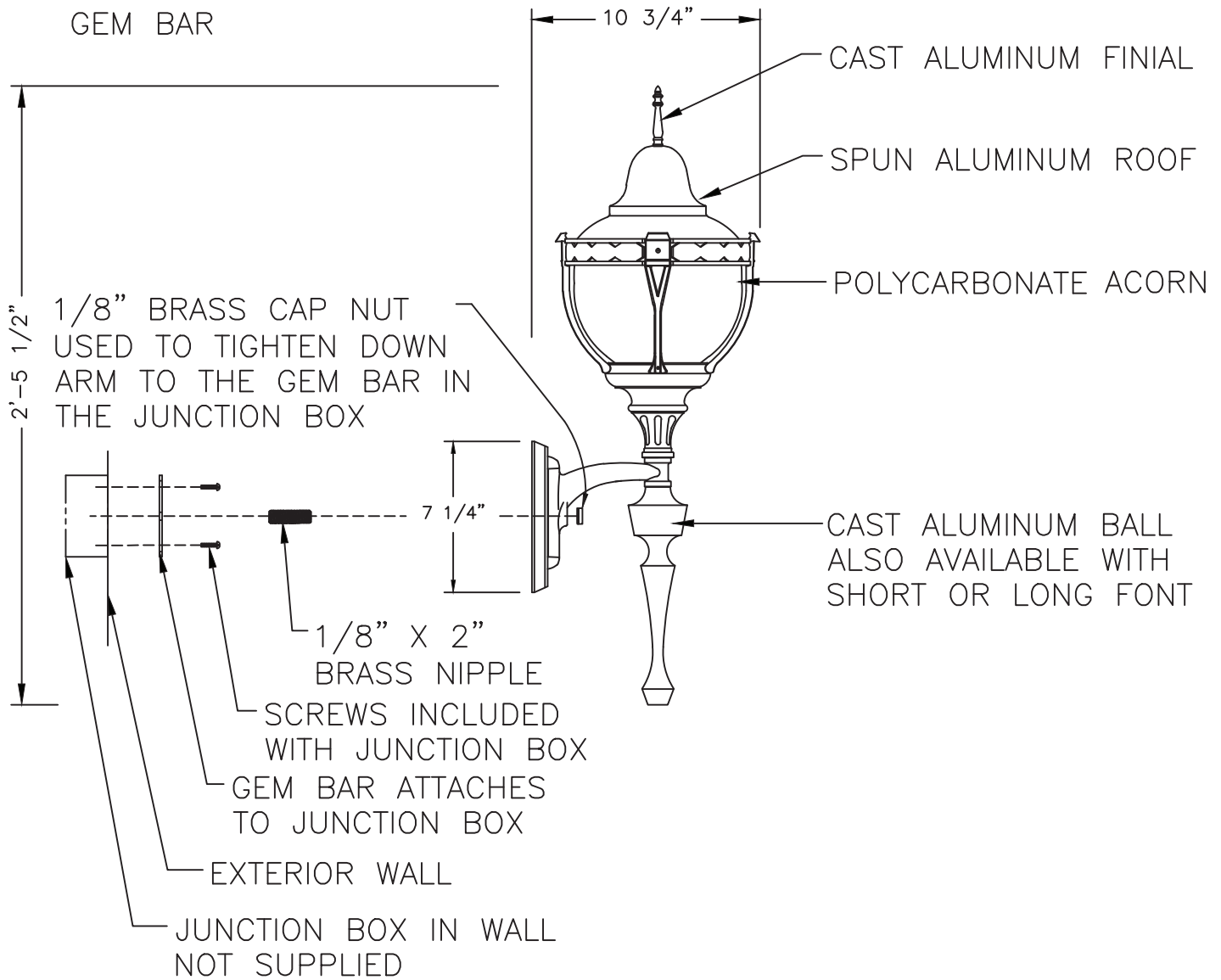
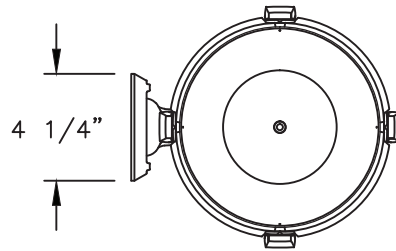
# 1120B/18 RIPON RESIDENTIAL SERIES

ALL ELECTRICAL COMPONENTS ARE U.L. OR E.T.L. LISTED IN USA AND CANADA.

FIXTURE WILL BE PREWIRED AND TESTED. MOUNTING HARDWARE IS SUPPLIED.



GEM BAR



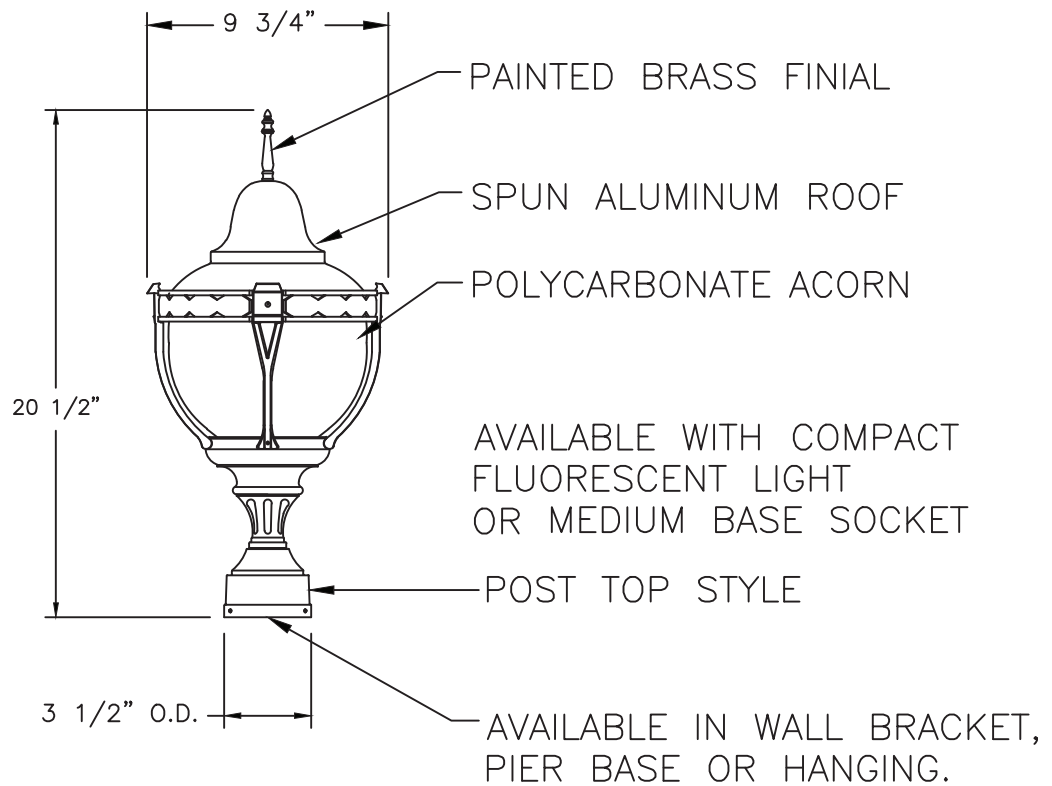
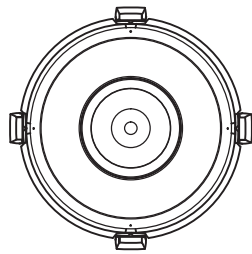
1120B/18

3/16"=1'	DRAWN LMG
	DRAWN DATE APR 4 2011
DRAWING NUMBER	

# 1120B/30 RIPON RESIDENTIAL SERIES

ALL ELECTRICAL COMPONENTS ARE U.L. OR E.T.L. LISTED IN USA AND CANADA.

FIXTURE WILL BE PREWIRED AND TESTED. MOUNTING HARDWARE IS SUPPLIED.



AVAILABLE WITH COMPACT FLUORESCENT LIGHT OR MEDIUM BASE SOCKET

Ø3 1/8" I.D. OPENING TO SLIP 3" OD X 1 1/2" TALL TENON



SECURED WITH SET SCREWS



1120B/30

3/16"=1'	DRAWN	LMG
	DRAWN DATE	APR 11 2011
		DRAWING NUMBER