

# 0680 ARTISAN II SERIES

# SPECIFICATIONS

## GENERAL

The 0680 Artisan II fixture is a medium scale, dramatic Wrightian / Mission squared edge design. It features a tall, straight four-sided decorative cast cage, a unique Wrightian stylized grille design, cast ballast housing assembly, acrylic lens and a dramatic cantilever peaked roof design. It shall be appointed with an aluminum ring finial.

## POST FITTER

The fitter or base shall be heavy wall cast aluminum, 356 alloy for high tensile strength. It shall have an inside diameter opening to accept a 3", 4" or 5" round or square pole or tenon. When ordered with a Sternberg aluminum pole, the fitter shall be set screwed to the pole top or tenon.

## BALLAST HOUSING

The ballast housing shall be heavy wall cast aluminum, 356 alloy for high tensile strength. The housing shall be mounted to the fixture with four screws and to include a water gasket ring to prevent water entry into the ballast compartment. The ballast shall be attached to the ballast housing to ensure high capacity heat sinking of ballast temperatures, keeping the ballast cooler and ensuring long life.

## ELECTRICAL

Fixture shall be U.L. or E.T.L. listed. H.I.D. ballasts shall be high power factor with lamp starting down to -30 degrees C. Medium base and mogul base porcelain sockets are 4KV rated. The ballast/socket assembly shall be pre-wired when ballast is located in the fixture. All compact fluorescent (PL) ballasts shall be instant start electronic with a starting temperature of down to 0 degrees F. They shall have a 4-pin socket to accept quad or triple tube lamps. Ballasts shall be DOE EISA compliant.

## FIXTURE HOUSING

The 0680 fixture shall be 16" wide and the overall height shall be 25". It shall be made of heavy wall cast aluminum, 356 alloy and lenses will be made of vandal resistant acrylic, available in white (WA), clear seeded (CSA), clear (CA), clear textured (CTA), prismatic (PA) acrylic and art glass (AGB). The 0680 fixture features a cast 8" wide window body with cast stylized design grille work. The cast 16" square roof shall cantilever the fixture body and have a solid aluminum soffit. The entire fixture shall be made of cast aluminum, 356 alloy.

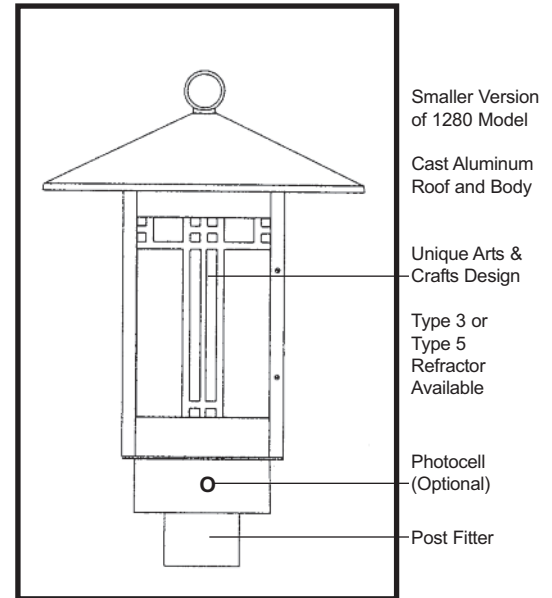
## OPTICAL OPTIONS

Refractors shall be 5" diameter borosilicate glass with an I.E.S. Type 3 (RE3) or Type 5 (RE5) distribution. It shall be secured to the socket stem with 3/8" plated steel threaded pipe nipple and rest on a cast aluminum holder with anti-shock gasket. The refractor will be secured to cast holder with a quarter-turn internal aluminum twist ring for ease of maintenance.

**LIST NO. 0680  
ARTISAN II  
SERIES**

**Frosted Glass Mission Chimney (FMC)** is an optic option which adds an authentic Mission touch.

**House Side Shield (HSS)** is an option which will block up to 120° of light in any one direction.

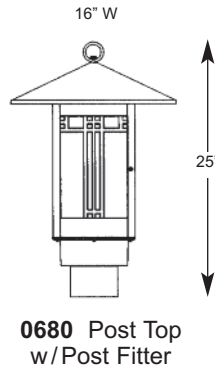
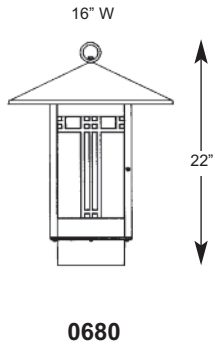


**EPA = 1.88 (ft<sup>2</sup>)  
WEIGHT = 25 LBS**

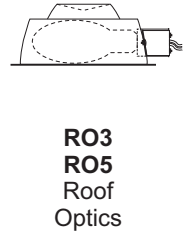
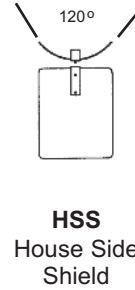
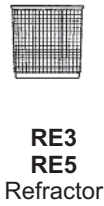
# 0680 ARTISAN II

# FIXTURES/FITTERS/ARMS PM-WB

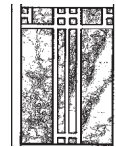
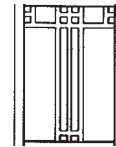
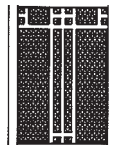
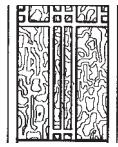
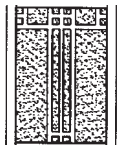
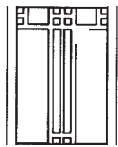
## FIXTURES POST FITTERS OPTICAL SYSTEMS



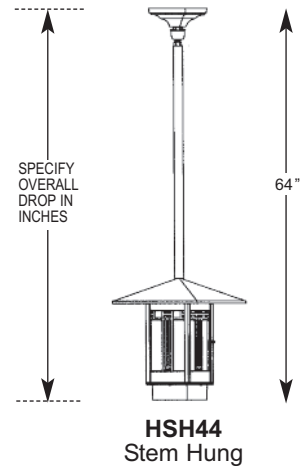
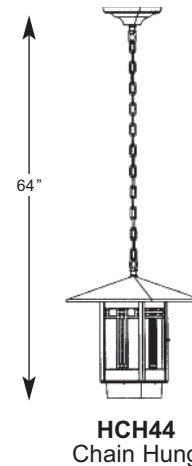
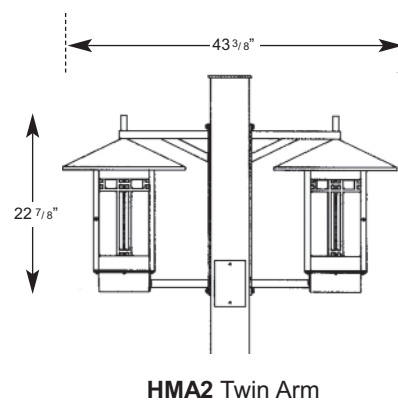
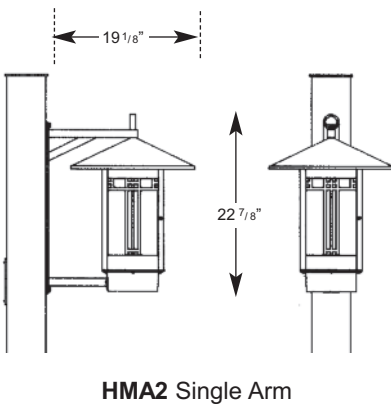
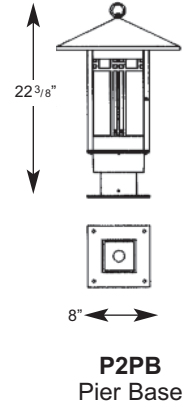
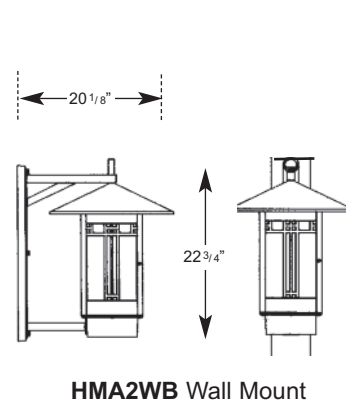
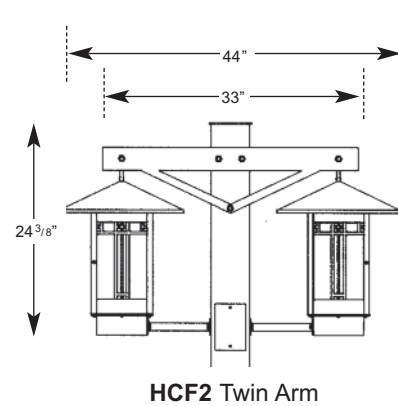
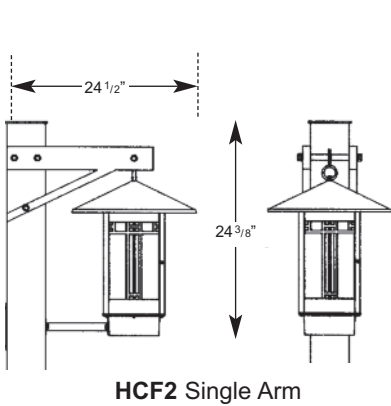
- R3"
  - S4"
  - R4"
  - S5"
  - R5"
- SIZES

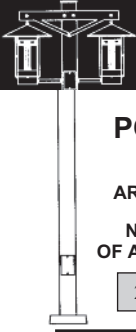


## LENSES



## ARMS - POST MOUNT or WALL BRACKETS (WB) See Arms Section for more information

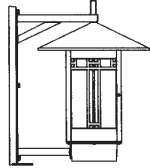




# BUILDING A PART NUMBER

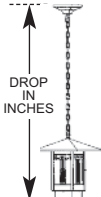
## POST & ARM FIXTURES

ARM MOUNTED FIXTURE	CENTER POST TOP FIXTURE (PT)	POST	POST CAP	LIGHT SOURCE BALLAST	OPTICS	OPTIONS	LENS	FINISH
NO. OF ARMS	FIXTURE / POSTARM	FIXT./FITTER	(See Post Section)	WATTS / TYPE / VOLTS				
2	0680/HCF2	PT	4SQ10	SC	100 MHP120		PEC	WA / BKT



## WALL FIXTURE

FIXTURE / WALL BRACKET	LIGHT SOURCE BALLAST	OPTICS	OPTIONS	LENS	FINISH	PIER FIXTURES
WATTS / TYPE / VOLTS						Uses same information boxes as wall fixture
0680/HMA2WB	100 MHP120		MHP100/MED	WA	BKT	0680/P2PB FIXTURE / PIER BASE



## HANGING FIXTURES

FIXTURE / HANGING BRACKET	OVERALL DROP IN INCHES	LIGHT SOURCE BALLAST	OPTICS	OPTIONS	LENS	FINISH
WATTS / TYPE / VOLTS						
0680/HCH44	64 INCHES	100 MHP120	RE5	MHP100/MED	CA	BKT

## PART NUMBER SELECTIONS

### FIXTURES

- 0680

### FITTERS

- R3
- R4
- S4
- R5
- S5

### OPTICS

- RE3
- RE5
- HSS
- FMC<sup>2</sup>
- RO3
- RO5

### OPTIONS

- PEC Photocell-Electronic 120-277 Volt
- FHS Single Fuse and Holder-120, 277 Volt
- FHD Dual Fuse and Holder-208, 240, 480V
- QR Quartz Re-Strike
- LAMPS Select from List

### POST ARMS

- HMA2 single
- HMA2 twin
- HCF2 single
- HCF2 twin

### VOLTAGES

- 120
- 208
- 240
- 277
- 480
- MULTI (120-277)

### WALL BRACKET ARMS

- HMA2WB

### PIER BASE

- P2PB

### LENSES

- CA
- CSA
- CTA
- PA
- WA
- AGB

### HANGING BRACKETS

- HCH44
- HSH44

### BALLASTS<sup>3,4</sup>

- 35HPS<sup>1</sup>
- 50HPS
- 70HPS
- 100HPS
- 50MHP
- 70MHP
- 100MHP
- 26PLT
- 32PLT
- 42PLT
- INCAND

### LAMPS<sup>4</sup>

- HPS35/MED
- HPS50/MED
- HPS70/MED
- HPS100/MED
- MHP50/MED
- MHP70/MED
- MHP100/MED
- PLT26
- PLT32
- PLT42

### STANDARD FINISHES\*

- BKT Black Textured
- WHT White Textured
- PGT Park Green Textured
- ABZT Architectural Medium Bronze Textured
- DBT Dark Bronze Textured

\*Smooth Finishes are available upon request

### CUSTOM FINISHES

- OI Old Iron
- RT Rust
- WBR Weathered Brown
- CD Cedar
- WBK Weathered Black
- TT Two Tone

### STERNBERG SELECT FINISHES

- VG Verde Green
- SI Swedish Iron
- OWGT Old World Gray Textured

#### NOTES:

- <sup>1</sup>35HPS is 120 volt only.
- <sup>2</sup>MED base only when used to house lamp.
- <sup>3</sup>Medium base sockets stand-
- ard with ballasts up to 100 watts for HID. 4-pin for PL.
- <sup>4</sup>Metal halide systems are pulse start.

**0680 ARTISAN II SERIES****SPECIFICATIONS****LIST NO. 0680  
ARTISAN II  
SERIES****QUARTZ RE-STRIKE**

The 0680 fixture can be supplied with an optional quartz re-strike system to retain constant fixture light if the H.I.D. lamp fails. The fixture will be equipped with a 100 watt quartz lamp and a controller to run on a 120 volt circuit and must be used in conjunction with a 120 volt or multi-tap ballast.

**PHOTOCELLS**

Photocells shall be the electronic button type. On single post top fixtures the photocell shall be mounted in the fitter and pre-wired to ballast. On multiple head fixture assemblies photocells shall be mounted in the pole shaft on an access plate and are not pre-wired as ballast housing assemblies and fitters are packaged separately for ease of wiring to source. The electronic button type photocell is instant on and a 5-10 second turn off and shall turn on at 1.5 footcandles with a turn-off at 2-3 footcandles. Photocells are 120-277 volt.

**ARMS**

All arms are made of cast aluminum and/or extruded aluminum. Arms with decorative filigree have meticulously detailed scroll work and gracefully curved brackets. All 0680 fixtures shall be bolted to the arm to ensure arms will be plumb, secure and level over the life of the installation.

**FINISH**

Prior to coating, each assembly shall be chemically cleaned and etched in a 5-stage washing system which includes alkaline cleaning, rinsing, phosphoric etching, reverse osmosis water rinsing, and non-chrome sealing to ensure corrosion resistance and excellent adhesion for the finish coating. The finish coating shall be electrostatically applied semi-gloss, super durable polyester powder baked at 400 degrees for a durable and superior, color retentive finish. Our optional antique Verde Green finish and Swedish Iron finish are hand brushed using a 3-step process. The total assembly shall be wrapped in shockproof wrapping or fully enclosed in corrugated cartons.

**WARRANTY**

Five-year limited warranty. See product and finish warranty guide for details.

