

0660 CRAFTSMAN II SERIES

SPECIFICATIONS

GENERAL

The 0660 Craftsman II fixture is a medium scale, dramatic Craftsman era squared edge design. It features a tall, straight four-sided decorative cast cage, a unique Wrightian stylized grille design, cast ballast housing assembly, acrylic lens and a dramatic cantilever flat roof design. It shall be appointed with an aluminum ring finial.

POST FITTER

The fitter or base shall be heavy wall cast aluminum, 356 alloy for high tensile strength. It shall have an inside diameter opening to accept a 3", 4" or 5" round or square pole or tenon. When ordered with a Sternberg aluminum pole, the fitter shall be set screwed to the pole top or tenon.

BALLAST HOUSING

The ballast housing shall be heavy wall cast aluminum, 356 alloy for high tensile strength. The housing shall be mounted to the fixture with four screws and to include a water gasket ring to prevent water entry into the ballast compartment. The ballast shall be attached to the ballast housing to ensure high capacity heat sinking of ballast temperatures, keeping the ballast cooler and ensuring long life.

ELECTRICAL

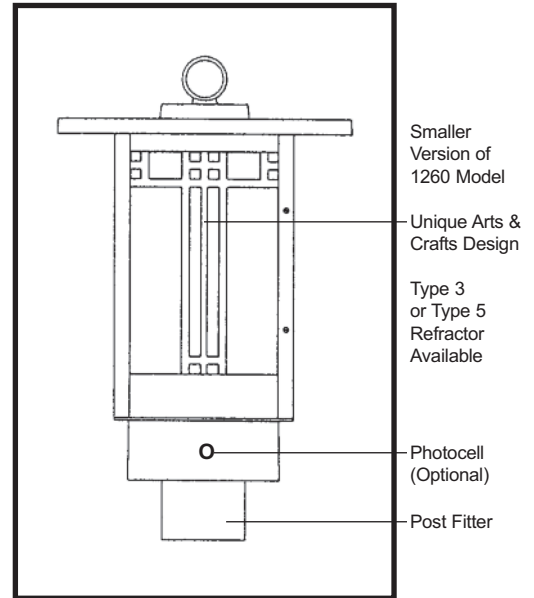
Fixture shall be U.L. or E.T.L. listed. H.I.D. ballasts shall be high power factor with lamp starting down to -30 degrees C. Medium base and mogul base porcelain sockets are 4KV rated. The ballast/socket assembly shall be pre-wired when ballast is located in the fixture. All compact fluorescent (PL) ballasts shall be instant start electronic with a starting temperature of down to 0 degrees F. They shall have a 4-pin socket to accept quad or triple tube lamps.

FIXTURE HOUSING

The 0660 fixture shall be 13" wide and the overall height shall be 22 1/8". It shall be made of heavy wall cast aluminum, 356 alloy and lenses will be made of vandal resistant acrylic, available in white (WA), clear seeded (CSA), clear (CA), clear textured (CTA), prismatic (PA) acrylic and art glass (AGB). The 0660 fixture features a cast 8" wide window body with cast stylized design grille work. The 13" flat square roof shall cantilever the fixture body.

OPTICAL OPTIONS

Refractors shall be 5" diameter borosilicate glass with an I.E.S. Type 3 (RE3) or Type 5 (RE5) distribution. It shall be secured to the socket stem with 3/8" plated steel threaded pipe nipple and rest on a cast aluminum holder with anti-shock gasket. The refractor will be secured to cast holder with a quarter-turn internal aluminum twist ring for ease of maintenance.

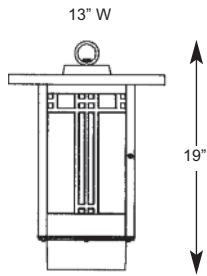


**EPA = 1.76 (ft²)
WEIGHT = 25 LBS**

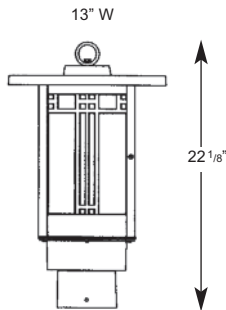
0660 CRAFTSMAN II

FIXTURES/FITTERS/ARMS PM-WB

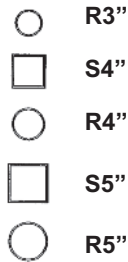
FIXTURES POST FITTERS OPTICAL SYSTEMS



0660



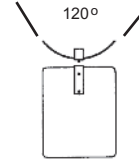
0660 Post Top
w/Post Fitter



SIZES



RE3
RE5
Refractor

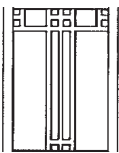


HSS
House Side
Shield

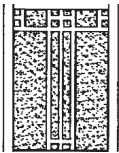


FMC Frosted
Mission
Chimney

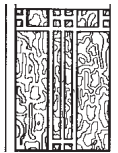
LENSES



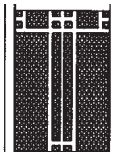
CA
Clear
Acrylic



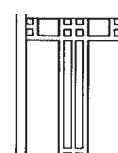
CSA
Clear
Seeded
Acrylic



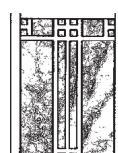
CTA
Clear
Textured
Acrylic



PA
Prismatic
Acrylic

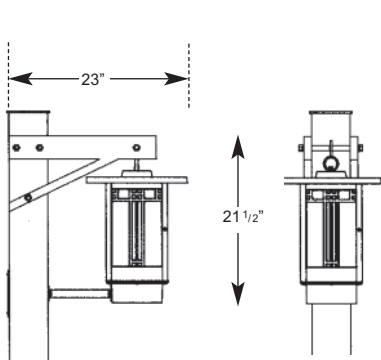


WA
White
Acrylic

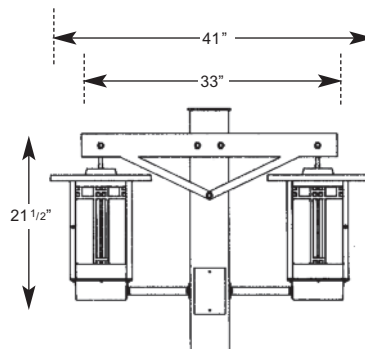


AGB
Art Glass
Brown
Marble

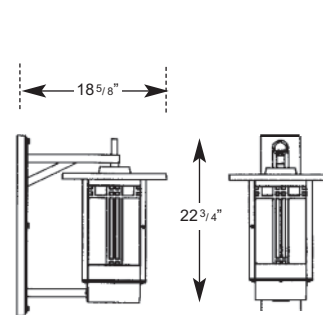
ARMS - POST MOUNT or WALL BRACKETS (WB) See Arms Section for more information



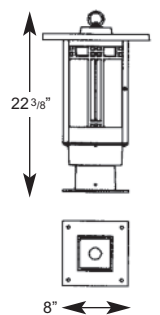
HCF2 Single Arm



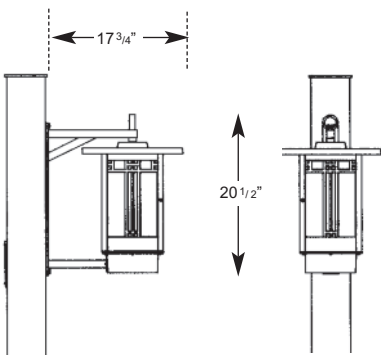
HCF2 Twin Arm



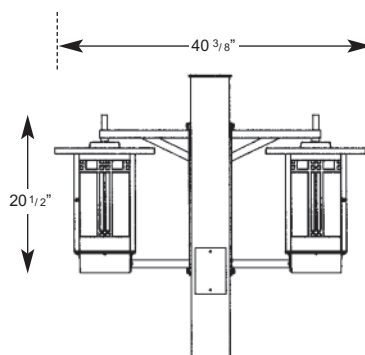
HMA2WB Wall Mount



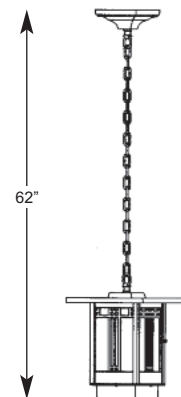
P2PB
Pier Base



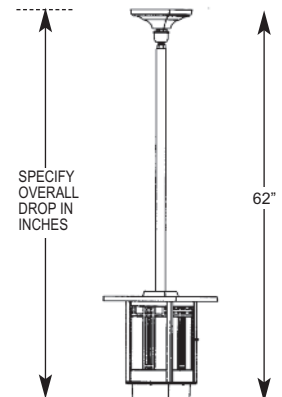
HMA2 Single Arm



HMA2 Twin Arm

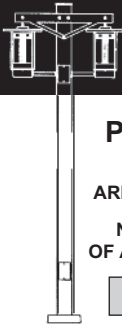


HCH44
Chain Hung



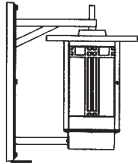
HSH44
Stem Hung

BUILDING A PART NUMBER



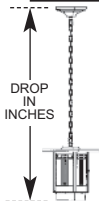
POST & ARM FIXTURES

ARM MOUNTED FIXTURE NO. OF ARMS	CENTER POST TOP FIXTURE (PT) FIXT./FITTER	POST (See Post Section)	POST CAP	LIGHT SOURCE BALLAST WATTS / TYPE / VOLTS	OPTICS	OPTIONS	LENS	FINISH
2	0660/HCF2	PT	4SQ12	SC	100 MH120		PEC	WA / BKT



WALL FIXTURES

FIXTURE / WALL BRACKET	LIGHT SOURCE BALLAST WATTS / TYPE / VOLTS	OPTICS	OPTIONS	LENS	FINISH	PIER FIXTURES
0660/HMA2WB	100 MH120		MH100/MED	WA	BKT	Uses same information boxes as wall fixture 0660/P2PB FIXTURE / PIER BASE



HANGING FIXTURES

FIXTURE / HANGING BRACKET	OVERALL DROP IN INCHES	LIGHT SOURCE BALLAST WATTS / TYPE / VOLTS	OPTICS	OPTIONS	LENS	FINISH
0660/HCH44	62 INCHES	100 MH120	RE3	MH100/MED	CA	BKT

PART NUMBER SELECTIONS

FIXTURES

- 0660

FITTERS

- R3
- R4
- S4
- R5
- S5

OPTICS

- RE3
- RE5
- HSS
- FMC²

POST ARMS

- HMA2 single
- HMA2 twin
- HCF2 single
- HCF2 twin

VOLTAGES

- 120
- 208
- 240
- 277
- 480
- MULTI (120-277)

WALL BRACKET ARMS

- HMA2WB

PIER BASE

- P2PB

LENSES

- CA
- CSA
- CTA
- PA
- WA
- AGB

HANGING BRACKETS

- HCH44
- HSH44

BALLASTS³

- 35HPS¹
- 50HPS
- 70HPS
- 100HPS
- 50MHP
- 70MHP
- 100MHP
- 26PLT
- 32PLT
- 42PLT
- INCAND

LAMPS⁴

- HPS35/MED
- HPS50/MED
- HPS70/MED
- HPS100/MED
- MHP50/MED
- MHP70/MED
- MHP100/MED
- PLT26
- PLT32
- PLT42

STANDARD FINISHES*

- BKT Black Textured
- WHT White Textured
- PGT Park Green Textured
- ABZT Architectural Medium Bronze Textured
- DBT Dark Bronze Textured

*Smooth Finishes are available upon request

CUSTOM FINISHES

- OI Old Iron
- RT Rust
- WBR Weathered Brown
- CD Cedar
- WBK Weathered Black
- TT Two Tone

STERNBERG SELECT FINISHES

- VG Verde Green
- SI Swedish Iron
- OWGT Old World Gray Textured

OPTIONS

- PEC Photocell-Electronic 120-277 Volt
- FHS Single Fuse and Holder-120,277 Volt
- FHD Dual Fuse and Holder-208,240,480V
- QR Quartz Re-Strike
- LAMPS Select from List

NOTES:

¹35HPS is 120 volt only.

²MED base only when used to house lamp.

³Medium base sockets standard with ballasts up to 100 watts for HID. 4-pin for PL.

⁴Metal halide systems are pulse start.

0660 CRAFTSMAN II SERIES**SPECIFICATIONS****LIST NO. 0660
CRAFTSMAN II
SERIES****QUARTZ RE-STRIKE**

The 0660 fixture can be supplied with an optional quartz re-strike system to retain constant fixture light if the H.I.D. lamp fails. The fixture will be equipped with a 100 watt quartz lamp and a controller to run on a 120 volt circuit and must be used in conjunction with a 120 volt or multi-tap ballast.

PHOTOCELLS

Photocells shall be the electronic button type. On single post top fixtures the photocell shall be mounted in the fitter and pre-wired to ballast. On multiple head fixture assemblies photocells shall be mounted in the pole shaft on an access plate and are not pre-wired as ballast housing assemblies and fitters are packaged separately for ease of wiring to source. The electronic button type photocell is instant on and a 5-10 second turn off and shall turn on at 1.5 footcandles with a turn-off at 2-3 footcandles. Photocells are 120-277 volt.

ARMS

All arms are made of cast aluminum and/or extruded aluminum. Arms with decorative filigree have meticulously detailed scroll work and gracefully curved brackets. All 0660 fixtures shall be bolted to the arm to ensure arms will be plumb, secure and level over the life of the installation.

FINISH

Prior to coating, each assembly shall be chemically cleaned and etched in a 5-stage washing system which includes alkaline cleaning, rinsing, phosphoric etching, reverse osmosis water rinsing, and non-chrome sealing to ensure corrosion resistance and excellent adhesion for the finish coating. The finish coating shall be electrostatically applied semi-gloss, super durable polyester powder baked at 400 degrees for a durable and superior, color retentive finish. Our optional antique Verde Green finish and Swedish Iron finish are hand brushed using a 3-step process. The total assembly shall be wrapped in shockproof wrapping or fully enclosed in corrugated cartons.

WARRANTY

Five-year limited warranty. See product and finish warranty guide for details.

