



XRLED-G793/G794/G795

POST-TOP LED CONVERSION KIT FOR G943/G944/G945 ESSEX PRISMATIC ACORN - "EASY TO INSTALL"

The versatile XRLED-G793/G794/G795 conversion kit transforms existing Sternberg G793/G794/G795 acorns into energy-efficient luminaires at significantly reduced maintenance costs. The wide variety of options makes this the industry's choice when converting from conventional lamp sources to energy-efficient lighting; made by Sternberg Lighting for Sternberg Lighting.



PROJECT: _____

TYPE: _____

HOW TO ORDER: XRLED-G793-12L45T5-MDL21

SERIES	LEDS	CCT - COLOR TEMPERATURE (K)	DISTRIBUTION TYPE	DRIVER	OPTIONAL DRIVER HOUSING
XRLED-G793 ¹	9L	27(00) K	T5 ²	MDL07	682
XRLED-G794 ¹	12L	35(00) K		MDL14	682M
XRLED-G795 ¹		45(00) K		MDL21	
				MDH07	
				MDH14	

¹ Existing Sternberg fixture type ² Distribution type created with prismatic acorn.

Features & Specifications

Optical

- Utilizes high output, high brightness LEDs.
- Operates at -40°C (-40°F) to +50°C (122°F) ambient air temperature range.
- Minimum CRI of 70, CCT 2700, 3500, and 4500K.
- LM-79 and LM-80 tests in accordance with IESNA standards.
- Lumen depreciation rated 50,000 hrs.
- RoHS Compliant.

Electrical

- 120-277 volt standard 347-480 volt option.
- Minimum drivers power factor: >0.9.
- Electrical surge protection in accordance with IEEE/ANSI C62.41.2 guidelines (10KA).
- UL listed in U.S. and Canada.

Mechanical

- Anodized aluminum heatsink.
- Rugged cast aluminum fitter cap.
- Designed for Sternberg 5P, 5T, 508 and 900 fitters. Consult factory for limitations and other fitters.

Controls

- Supplied with dimmable driver (0-10 volts).

Warranty & Standards

XRLED Systems and Drivers - 5 years. All fixtures shall be free from all defects in materials and workmanship for a period of 5 years from the date of manufacture. The luminaire manufacturer shall warrant the XRLED boards/ system, during the stated warranty period, against failure defined as more than 10 percent of non-operating LEDs.

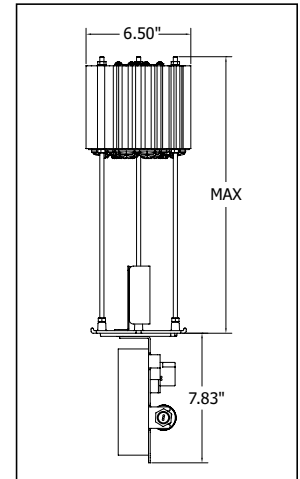
Drivers (0-10V dimming):

- MDL07:** 700mA, 120-277V³
- MDL14:** 1400mA, 120-277V
- MDL21:** 2100mA, 120-277V⁴
- MDH07:** 700mA, 347-480V³
- MDH14:** 1400mA, 347-480V

Optional Driver Housing:

- 682:** Driver housing required for fitters manufactured between 1985 and 2004.
- 682M:** Driver housing required for fitters manufactured 1985 and before.

³ For use with 9L system only.
⁴ For use with 12L system only.



Performance

LIGHT SOURCE	G793 DELIVERED LUMENS	EFFICACY (LPW)	G794 DELIVERED LUMENS	EFFICACY (LPW)	G795 DELIVERED LUMENS	EFFICACY (LPW)	WATTAGE
12L27T5-MDL21	3555	39.1	3555	39.1	4450	48.9	91
12L35T5-MDL21	4055	44.6	4055	44.6	5075	55.8	91
12L45T5-MDL21	4320	47.5	4320	47.5	5405	59.4	91
12L27T5-MDL14	3015	52.0	3015	52.0	3405	58.7	58
12L35T5-MDL14	3435	59.2	3435	59.2	3880	66.9	58
12L45T5-MDL14	3660	63.1	3660	63.1	4135	71.3	58
9L27T5-MDL14	2460	54.7	2460	54.7	2835	63.0	45
9L35T5-MDL14	2805	62.3	2805	62.3	3235	71.9	45
9L45T5-MDL14	2990	66.4	2990	66.4	3445	76.6	45
9L27T5-MDL07	1415	67.4	1415	67.4	1630	77.6	21
9L35T5-MDL07	1615	76.9	1615	76.9	1860	88.6	21
9L45T5-MDL07	1720	81.9	1720	81.9	1980	94.3	21