



XRLED-D650

POST-TOP LED CONVERSION KIT FOR D650 BOULEVARD

The versatile XRLED-D650 conversion kit transforms existing Sternberg D650 acorns into energy-efficient luminaires at significantly reduced maintenance costs. The wide variety of lumen and distribution options makes this the industry's choice when converting from conventional lamp sources to energy-efficient lighting; made by Sternberg Lighting for Sternberg Lighting.



PROJECT: _____

TYPE: _____

HOW TO ORDER: XRLED-D650-12L45T4-MDH07

XRLED-D650					
SERIES	LEDS	CCT - COLOR TEMPERATURE (K)	DISTRIBUTION TYPE	DRIVER	OPTIONAL DRIVER HOUSING
LED UPGRADE KIT FOR D650 ACORN	9L	27(00) K	T2	MDL07	682
	12L	35(00) K	T3	MDL14	682M
		45(00) K	T4	MDL21	
			T5	MDH07	
				MDH14	



Features and Specifications

Optical

- Utilizes high output, high brightness LEDs.
- Operates at -40°C (-40°F) to +50°C (122°F) ambient air temperature range.
- Minimum CRI of 70, CCT 2700, 3500, and 4500K.
- LM-79 and LM-80 tests in accordance with IESNA standards.
- Lumen depreciation rated 50,000 hrs.
- RoHS Compliant.
- UL listed in U.S. and Canada.

Electrical

- 120-277 volt and 347-480 volt available.
- Minimum drivers power factor: >0.9.

- Electrical surge protection in accordance with IEEE/ANSI C62.41.2 guidelines (10KA).

Mechanical

- Anodized aluminum heatsink.
- Rugged cast aluminum fitter cap.
- Designed for Sternberg 5P, 5T, 508 and 900 fitters. Consult factory for limitations and other fitters.

Controls

- Supplied with dimmable driver (0-10 volts).

Warranty & Standards

LED Systems and Drivers - 5 years. All fixtures shall be free from all defects in materials and workmanship for a period of 5 years from the date of manufacture. The luminaire manufacturer shall warrant the LED boards/ system, during the stated warranty period, against failure defined as more than 10 percent of non-operating LEDs.

Drivers (0-10V dimming):

MDL07: 700mA, 120-277V¹

MDL14: 1400mA, 120-277V

MDL21: 2100mA, 120-277V²

MDH07: 700mA, 347-480V¹

MDH14: 1400mA, 347-480V

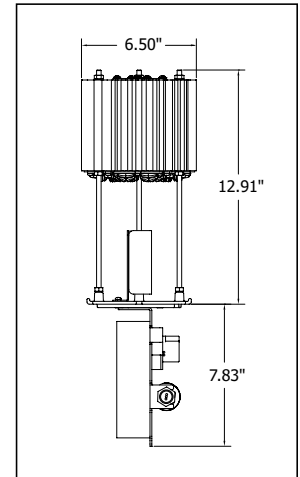
¹ For use with 9L system only.

² For use with 12L system only.

Optional Driver Housing:

682: Driver housing required for fitters manufactured between 1985 and 2004.

682M: Driver housing required for fitters manufactured 1985 and before.



Performance

LIGHT SOURCE	T2 DELIVERED LUMENS	EFFICACY (LPW)	T3 DELIVERED LUMENS	EFFICACY (LPW)	T4 DELIVERED LUMENS	EFFICACY (LPW)	T5 DELIVERED LUMENS	EFFICACY (LPW)	WATTAGE
12L27T_-MDL21	5375	56.0	5320	55.4	5140	53.5	5570	58.0	96
12L35T_-MDL21	6025	62.8	5965	62.1	5765	60.1	6250	65.1	96
12L45T_-MDL21	6530	68.0	6465	67.3	6245	65.1	6770	70.5	96
12L27T_-MDL14	4170	70.7	4130	70.0	3985	67.6	4295	72.8	59
12L35T_-MDL14	4675	79.2	4635	78.6	4470	75.8	4815	81.6	59
12L45T_-MDL14	5065	85.8	5020	85.1	4840	82.0	5220	88.5	59
09L27T_-MDL14	3160	71.8	3070	69.8	3110	70.7	3225	73.3	44
09L35T_-MDL14	3545	80.6	3440	78.2	3485	79.2	3615	82.2	44
09L45T_-MDL14	3840	87.3	3730	84.8	3780	85.9	3920	89.1	44
09L27T_-MDL07	1835	87.4	1795	85.5	1805	86.0	1885	89.8	21
09L35T_-MDL07	2060	98.1	2010	95.7	2020	96.2	2110	100.5	21
09L45T_-MDL07	2230	106.2	2180	103.8	2190	104.3	2290	109.0	21