



XRLED-B750

POST-TOP LED CONVERSION KIT FOR B750 AVENUE ACORN

The versatile XRLED-B750 conversion kit transforms existing Sternberg B750 acorns into energy-efficient luminaires at significantly reduced maintenance costs. The wide variety of lumen and distribution options makes this the industry's choice when converting from conventional lamp sources to energy-efficient lighting; made by Sternberg Lighting for Sternberg Lighting.

PROJECT: _____

TYPE: _____

HOW TO ORDER: XRLED-B750-12L45T4-MDH07

XRLED-B750					
SERIES	LEDS	CCT - COLOR TEMPERATURE (K)	DISTRIBUTION TYPE	DRIVER	OPTIONAL DRIVER HOUSING
LED UPGRADE KIT FOR B750 ACORN	9L	27(00) K	T2	MDL07	682
	12L	35(00) K	T3	MDL14	682M
		45(00) K	T4	MDL21	
			T5	MDH07	
				MDH14	



Features & Specifications

Optical

- Utilizes high output, high brightness LEDs.
- Operates at -40°C (-40°F) to +50°C (122°F) ambient air temperature range.
- Minimum CRI of 70, CCT 2700, 3500, and 4500K.
- LM-79 and LM-80 tests in accordance with IESNA standards.
- Lumen depreciation rated 50,000 hrs.
- RoHS Compliant.
- UL listed in U.S. and Canada.

Electrical

- 120-277 volt standard 347-480 volt option.
- Minimum drivers power factor: > 0.9.
- Electrical surge protection in accordance with IEEE/ANSI C62.41.2 guidelines (10KA).

Mechanical

- Anodized aluminum heatsink.
- Rugged cast aluminum fitter cap.
- Designed for Sternberg 5P, 5T, 508 and 900 fitters. Consult factory for limitations and other fitters.

Controls

- Supplied with dimmable driver (0-10 volts).

Warranty & Standards

LED Systems and Drivers - 5 years.
All fixtures shall be free from all defects in materials and workmanship for a period of 5 years from the date of manufacture. The luminaire manufacturer shall warrant the LED boards/ system, during the stated warranty period, against failure defined as more than 10 percent of non-operating LEDs.

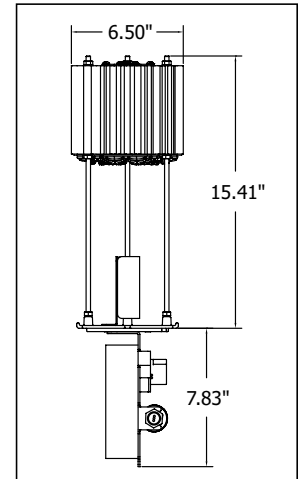
Drivers (0V-10V dimming):

- MDL07:** 700mA, 120-277V¹
- MDL14:** 1400mA, 120-277V
- MDL21:** 2100mA, 120-277V²
- MDH07:** 700mA, 347-480V¹
- MDH14:** 1400mA, 347-480V

¹ For use with 9L system only.
² For use with 12L system only.

Optional Driver Housing:

- 682:** Driver housing required for fitters manufactured between 1985 and 2004.
- 682M:** Driver housing required for fitters manufactured 1985 and before.



Performance

LIGHT SOURCE	T2 DELIVERED LUMENS	EFFICACY (LPW)	T3 DELIVERED LUMENS	EFFICACY (LPW)	T4 DELIVERED LUMENS	EFFICACY (LPW)	T5 DELIVERED LUMENS	EFFICACY (LPW)	WATTAGE
12L27T_-MDL21	5455	56.8	5380	56.0	5145	53.6	5575	58.1	96
12L35T_-MDL21	6115	63.7	6035	62.9	5770	60.1	6255	65.2	96
12L45T_-MDL21	6625	69.0	6535	68.1	6250	65.1	6775	70.6	96
12L27T_-MDL14	4040	68.5	4040	68.5	3855	65.3	4270	72.4	59
12L35T_-MDL14	4530	76.8	4530	76.8	4325	73.3	4790	81.2	59
12L45T_-MDL14	4905	83.1	4905	83.1	4685	79.4	5190	88.0	59
09L27T_-MDL14	3125	71.0	3080	70.0	3055	69.4	3180	72.3	44
09L35T_-MDL14	3500	79.5	3450	78.4	3425	77.8	3570	81.1	44
09L45T_-MDL14	3795	86.3	3740	85.0	3710	84.3	3865	87.8	44
09L27T_-MDL07	1825	86.9	1775	84.5	1725	82.1	1850	88.1	21
09L35T_-MDL07	2050	97.6	1990	94.8	1935	92.1	2075	98.8	21
09L45T_-MDL07	2220	105.7	2155	102.6	2095	99.8	2250	107.1	21