



# XRLED-A850

## POST-TOP LED CONVERSION KIT FOR A850 OLD TOWN ACORN "EASY TO INSTALL"

The versatile XRLED-A850 conversion kit transforms existing Sternberg A850 acorns into energy-efficient luminaires at significantly reduced maintenance costs. The wide variety of lumen and distribution options makes this the industry's obvious choice when converting from conventional lamp sources to energy-efficient lighting; made by Sternberg Lighting for Sternberg Lighting.



PROJECT: \_\_\_\_\_

TYPE: \_\_\_\_\_

### HOW TO ORDER: XRLED-A850-12L45T4-MDL21

XRLED -A850					
SERIES	NO. OF LEDS	CCT - COLOR TEMPERATURE (K)	DISTRIBUTION TYPE	DRIVER	OPTIONAL DRIVER HOUSING
LED UPGRADE KIT FOR A850 ACORN	9L	27(00) K	T2	MDL07	682
	12L	35(00) K	T3	MDL14	682M
		45(00) K	T4	MDL21	
			T5	MDH07	
				MDH14	



### Features & Specifications

#### Optical

- Utilizes high output, high brightness LEDs.
- Operates at -40°C (-40°F) to +50°C (122°F) ambient air temperature range.
- Minimum CRI of 70, CCT 2700, 3500, and 4500K.
- LM-79 and LM-80 tests in accordance with IESNA standards.
- Lumen depreciation rated 50,000 hrs.
- RoHS Compliant.

#### Electrical

- 120-277 volt standard 347-480 volt option.
- Minimum drivers power factor: >0.9.
- Electrical surge protection in accordance with IEEE/ANSI C62.41.2 guidelines (10KA).
- UL listed in U.S. and Canada.

#### Mechanical

- Anodized aluminum heatsink.
- Rugged cast aluminum fitter cap.
- Designed for Sternberg 5P, 5T, 508 and 980 fitters. Consult factory for limitations and other fitters.

#### Controls

- Supplied with dimmable driver (0-10 volts).

#### Warranty & Standards

XRLED Systems and Drivers - 5 years. All fixtures shall be free from all defects in materials and workmanship for a period of 5 years from the date of manufacture. The luminaire manufacturer shall warrant the XRLED boards/ system, during the stated warranty period, against failure defined as more than 10 percent of non-operating LEDs.

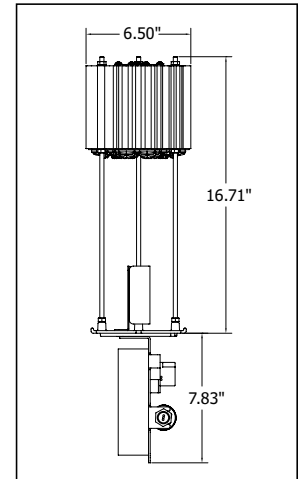
#### Drivers (0-10V dimming):

- MDL07:** 700mA, 120-277V<sup>1</sup>
- MDL14:** 1400mA, 120-277V
- MDL21:** 2100mA, 120-277V<sup>2</sup>
- MDH07:** 700mA, 347-480V<sup>1</sup>
- MDH14:** 1400mA, 347-480V

<sup>1</sup> For use with 9L system only.  
<sup>2</sup> For use with 12L system only.

#### Optional Driver Housing:

- 682:** Driver housing required for fitters manufactured between 1985 and 2004.
- 682M:** Driver housing required for fitters manufactured 1985 and before.



### Performance

LIGHT SOURCE	T2 DELIVERED LUMENS	EFFICACY (LPW)	T3 DELIVERED LUMENS	EFFICACY (LPW)	T4 DELIVERED LUMENS	EFFICACY (LPW)	T5 DELIVERED LUMENS	EFFICACY (LPW)	WATTAGE
12L27T_-MDL21	5115	53.3	4990	52.0	4860	50.6	5265	54.8	96
12L35T_-MDL21	6140	64.0	5985	62.3	5835	60.8	6320	65.8	96
12L45T_-MDL21	6650	69.3	6485	67.6	6320	65.8	6845	71.3	96
12L27T_-MDL14	3808	64.5	3710	62.9	3660	62.0	3980	67.5	59
12L35T_-MDL14	4570	77.5	4455	75.5	4390	74.4	4775	80.9	59
12L45T_-MDL14	4950	83.9	4825	81.8	4755	80.6	5175	87.7	59
09L27T_-MDL14	2925	66.5	2875	65.3	2875	65.3	2940	66.8	44
09L35T_-MDL14	3505	79.7	3450	78.4	3450	78.4	3530	80.2	44
09L45T_-MDL14	3800	86.4	3740	85.0	3740	85.0	3820	86.8	44
09L27T_-MDL07	1675	79.8	1620	77.1	1600	76.2	1725	82.1	21
09L35T_-MDL07	2005	95.5	1940	92.4	1920	91.4	2070	98.6	21
09L45T_-MDL07	2175	103.6	2105	100.2	2080	99.0	2240	106.7	21