



XRLED-A840

POST-TOP LED CONVERSION KIT FOR A840 OLD TOWN ACORN "EASY TO INSTALL"

The versatile XRLED-A840 conversion kit transforms existing Sternberg A840 acorns into energy-efficient luminaires at significantly reduced maintenance costs. The wide variety of lumen and distribution options makes this the industry's obvious choice when converting from conventional lamp sources to energy-efficient lighting; made by Sternberg Lighting for Sternberg Lighting.

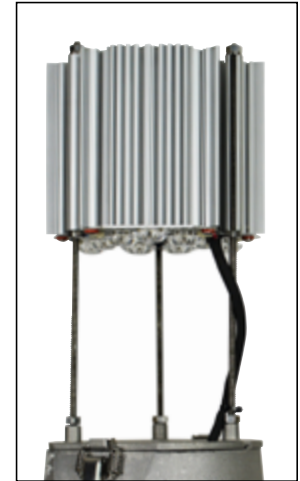


PROJECT: _____

TYPE: _____

HOW TO ORDER: XRLED-A840-12L45T4-MDL14-682

XRLED-A840					
SERIES	LEDS	CCT - COLOR TEMPERATURE (K)	DISTRIBUTION TYPE	DRIVER	OPTIONAL DRIVER HOUSING
LED UPGRADE KIT FOR A840 ACORN	9L	27(00) K	T2	MDL07	682
	12L	35(00) K	T3	MDL14	682M
		45(00) K	T4	MDH07	
			T5	MDH14	



Features & Specifications

Optical

- Utilizes high output, high brightness LEDs.
- Operates at -40°C (-40°F) to +50°C (122°F) ambient air temperature range.
- Minimum CRI of 70, CCT 2700, 3500, and 4500K.
- LM-79 and LM-80 tests in accordance with IESNA standards.
- Lumen depreciation rated 50,000 hrs.
- RoHS Compliant.

Electrical

- 120-277 volt standard 347-480 volt option.
- Minimum surge power factor: >0.9.
- Electrical surge protection in accordance with IEEE/ANSI C62.41.2 guidelines (10KA).
- UL listed in U.S. and Canada.

Mechanical

- Anodized aluminum heatsink.
- Rugged cast aluminum fitter cap.
- Designed for Sternberg 5P, 5T, 508 and 980 fitters. Consult factory for limitations and other fitters.

Controls

- Supplied with dimmable driver (0-10 volts).

Warranty & Standards

XRLED Systems and Drivers - 5 years.
All fixtures shall be free from all defects in materials and workmanship for a period of 5 years from the date of manufacture. The luminaire manufacturer shall warrant the XRLED boards/ system, during the stated warranty period, against failure defined as more than 10 percent of non-operating LEDs.

Drivers (0V-10V dimming):

MDL07: 700mA, 120-277V¹

MDL14: 1400mA, 120-277V

MDH07: 700mA, 347-480V¹

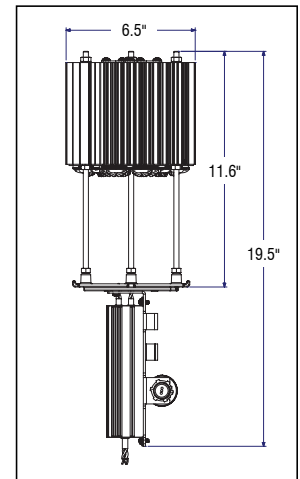
MDH14: 1400mA, 347-480V

¹ For use with 9L system only.

Optional Driver Housing:

682: Driver housing required for fitters manufactured between 1985 and 2004.

682M: Driver housing required for fitters manufactured 1985 and before.



Performance

LIGHT SOURCE	T2 DELIVERED LUMENS	EFFICACY (LPW)	T3 DELIVERED LUMENS	EFFICACY (LPW)	T4 DELIVERED LUMENS	EFFICACY (LPW)	T5 DELIVERED LUMENS	EFFICACY (LPW)	WATTAGE
12L27T_-MDL14	3745	64.6	3630	62.6	3760	64.8	3920	67.6	58
12L35T_-MDL14	4500	77.6	4360	75.2	4510	77.8	4705	81.1	58
12L45T_-MDL14	4875	84.1	4725	81.5	4890	84.3	5100	87.9	58
09L27T_-MDL14	2625	58.3	2550	56.7	2520	56.0	2660	59.1	45
09L35T_-MDL14	3415	75.9	3315	73.7	3275	72.8	3460	76.9	45
09L45T_-MDL14	3700	82.2	3590	79.8	3550	78.9	3745	83.2	45
09L27T_-MDL07	1660	79.0	1575	75.0	1565	74.5	1670	79.5	21
09L35T_-MDL07	1995	95.0	1890	90.0	1880	89.5	2005	95.5	21
09L45T_-MDL07	2160	102.9	2045	97.4	2035	96.9	2170	103.3	21