

! WARNING: TO AVOID FIRE, SHOCK OR DEATH, TURN OFF AND LOCKOUT POWER BEFORE PERFORMING ANY MAINTENANCE.

! CAUTION: THIS FIXTURE MUST BE WIRED IN ACCORDANCE WITH THE NATIONAL ELECTRIC CODE AND ALL APPLICABLE LOCAL CODES. PROPER GROUNDING IS REQUIRED. ALL WORK SHOULD BE DONE BY A QUALIFIED ELECTRICIAN.

STEP 1

Unpack the 1843-XRLED CONVERSION KIT. Handle with care. Do not touch the optics. Recycle the empty packaging.

LED Module

LED Bracket Assembly

Driver Assembly Bracket

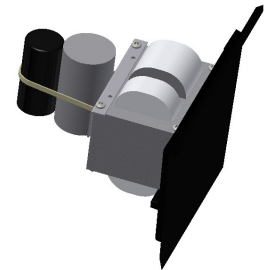
SYNJET Assembly
(For 2100mA Driver)



STEP 2

Remove the mounting screws (retain them) on the fitter door and pull out the door and attached ballast. Disconnect supply lines and fixture leads. Detach the ballast from the door by removing two mounting screws. The ballast will not be required for the conversion.

Note: Most 250W HID configurations have the ballast in a remote location. These ballasts should also be removed.



STEP 3

For 2100mA Driver with Synjet Only

Open roof and remove all reflectors and sockets. Remove bottom hex nut and lock washer from Synjet assembly and insert pipe nipple and leads through the hole in the center of the fitter and into fitter chamber. Tighten in place with nut and lockwasher.

NOTE: If the hole in the center of the fitter is not present, it may be added using a 21/32", 11/16", or 17mm drill.



STEP 4

Lean the bracket forward toward the fitter opening to allow the locking tab to enter the right side of the fitter where the roof is lower. Slide the bracket to the left and twist to engage the driver against the front left wall and tighten the thumb screw to restrict movement of the assembly.



XRLED 1843 CONVERSION KIT

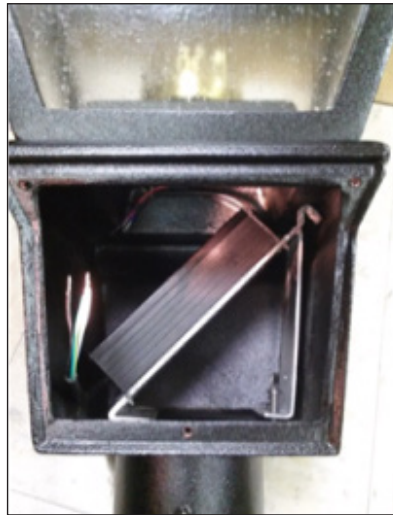
INSTALLATION INSTRUCTIONS

! WARNING: TO AVOID FIRE, SHOCK OR DEATH, TURN OFF AND LOCKOUT POWER BEFORE PERFORMING ANY MAINTENANCE.

! CAUTION: THIS FIXTURE MUST BE WIRED IN ACCORDANCE WITH THE NATIONAL ELECTRIC CODE AND ALL APPLICABLE LOCAL CODES. PROPER GROUNDING IS REQUIRED. ALL WORK SHOULD BE DONE BY A QUALIFIED ELECTRICIAN.

STEP 5

Lean the bracket forward toward the fitter opening to allow the locking tab to enter the right side of the fitter where the roof is lower. Slide the bracket to the left and twist to engage the driver against the front left wall and tighten the thumb screw to restrict movement of the assembly.



STEP 6

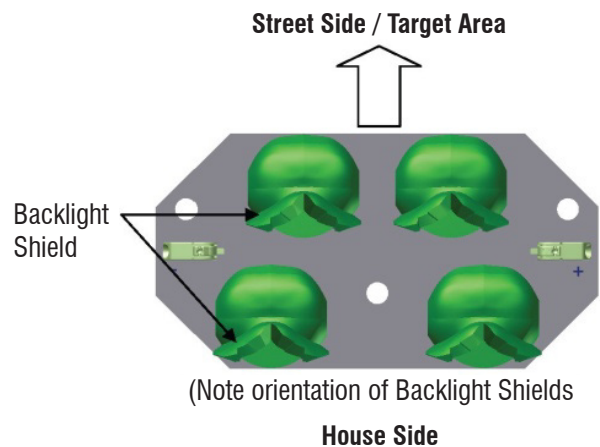
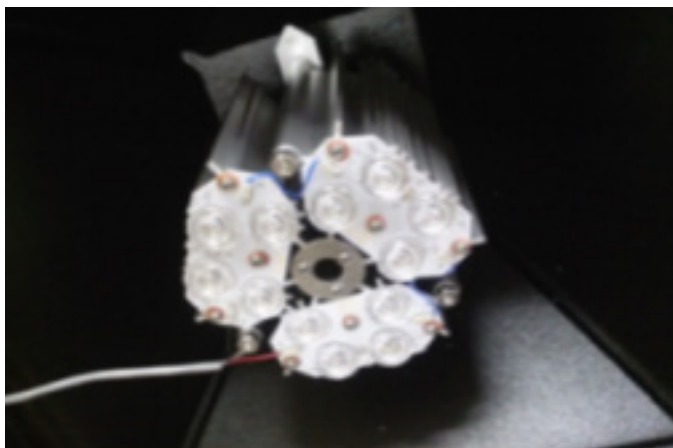
Remove the hex nut from the stud in the center of the roof. Slide the LED bracket assembly over the stud and tighten the hex nut in place. Align the pointer labeled "STREET" (see arrow) so that it will face the street when the fixture is reassembled. Apply silicone sealant around hex nut.



STEP 7

Align the mounting studs on the bracket with the large, round outer slots on the LED assembly and slide into place. (See note.) Secure assembly with lockwashers and nuts provided.

Note: If backlight shields are present on the LED boards, align the LED module to the bracket pointer as shown.



SternbergLighting

ESTABLISHED 1923 / EMPLOYEE OWNED

800-621-3376
555 Lawrence Ave., Roselle, IL 60172
info@sternberglighting.com
www.sternberglighting.com

WARNING: TO AVOID FIRE, SHOCK OR DEATH, TURN OFF AND LOCKOUT POWER BEFORE PERFORMING ANY MAINTENANCE.

CAUTION: THIS FIXTURE MUST BE WIRED IN ACCORDANCE WITH THE NATIONAL ELECTRIC CODE AND ALL APPLICABLE LOCAL CODES. PROPER GROUNDING IS REQUIRED. ALL WORK SHOULD BE DONE BY A QUALIFIED ELECTRICIAN.

STEP 8

If lead mounting clips are not present, remove the screws on the inner cage frame and use them to attach the supplied lead mounting clips. Run the LED Module lead down the cage frame, bending the mounting clips around the lead to secure it. Run the lead into the driver chamber. Remove the backing from the supplied adhesive mounting clip and attach it to the fitter top. Place lead inside the clip to secure the lead to the fitter top. Run the lead into the driver chamber.



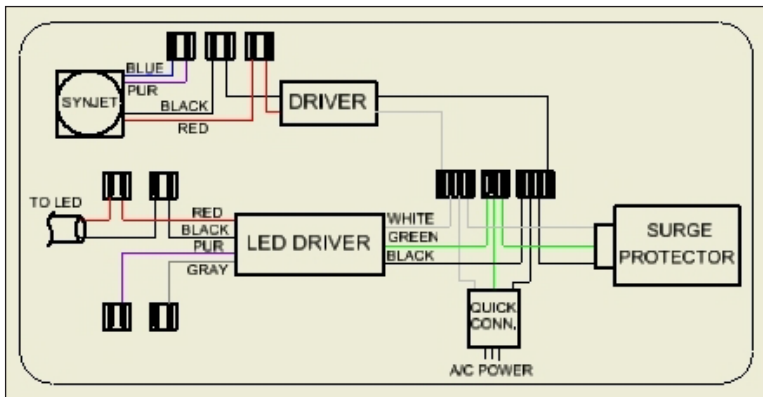
STEP 9B

Connect the fixture leads to the appropriate lever nut connector. The black lead should be connected to the open port of the two position connector with the black output lead from the driver. The red lead should be connected to the two position connector with the red output lead from the driver. See wiring diagram.

Connect supply lines. Reattach fitter door. Close and secure roof.

STEP 9A

For 2100mA driver with Synjet only. (For units without a Synjet, proceed to 9b) Connect the LED module leads to the appropriate lever nut connector. The black lead should be connected to the open port of the two position connector with the black output lead from the driver. The red lead should be connected to the two position connector with the red output lead from the driver. See wiring diagram. Connect red and black Synjet leads per wiring diagram to the two position connectors labeled "Synjet Only". Red to red. Black to black. Insert the blue and purple leads into supplied two position connector per wiring diagram and close cam levers. Connect supply lines. Reattach fitter door. Close and secure roof.



Wiring Schematic (No Synjet)

