



SOLANA® SL730

The Solana® SL730 Arm Mount Luminaire's stylish design is a perfect accent for urban settings. The subtle, yet sophisticated look enhances the impact of any project. The Solana's wide array of optics, lenses and distributions makes this an easy choice for a variety of commercial, institutional and municipal projects.



SternbergLighting
ESTABLISHED 1923 / EMPLOYEE OWNED

PROJECT: _____

TYPE: _____

ORDERING EXAMPLE: 1A-SL730-FG-140L45T3-MDL05-MOT1-HSS-FHD / RP34 / UWHT

SL730															
MOUNTING CONFIG.	SERIES	LENS	NO. OF LEDS	COLOR TEMP K	DISTRIBUTION TYPE	DRIVER	OPTIONAL CONTROL RECEPTACLE	OPTIONAL CONTROL	MOTION SENSOR	HOUSE SIDE SHIELD	DUAL FUSE & HOLDER	ROUND POLE ADAPTER	COLOR		
1W*	Large Area Bolt-On Arm	CA	56L ¹	27(00) K	T2	MDL03	O P T I O N S						UGMT	UGM	
1A		FG	84L ¹	35(00) K	T3	MDL05	R	PE ²	MOT1 ³	HSS	FHD	RP34	UBT	UB	
2A		SA	112L	45(00) K	T3R	MDH03	R5	PE3 ²	MOT2 ³			RP56	ULBT	ULB	
2A90		FFG	140L			T4	MDH05	R7	PE4 ²				USLT	USL	
3A		SV1				T5			SC ²				UWHT	UWH	
3A90		SV2	BLOC OPTICS						PEC					UCHS	BKT
4A		SV1SA	80BL			T3RBL			PEC4						
1AM		SV2SA	96BL			T4BL									
2AM		SV4SA	128BL												

A = Arm Mount AM = Arm Mid-Mount W = Wall Mount (* Designate 1WCB if surface mount box required) ¹ Not available in 05 driver ² Requires control receptacle

Product Specs

Optical

- BUG rating of U-0.
- IP65 rated optic module.
- Available in IES Type 2, 3, 3R, 4 and 5 distribution.
- Utilizes high output, high brightness LEDs.
- Typical CRI of 70, CCT 3500, 4500 and 2700K. Call factory for custom CCT.
- LM-79 and LM-80 tests in accordance with IESNA standards.
- Lumen depreciation rating L70 > 100,000 hrs. projected per TM-21 guideline using 525mA drive current at 25°C ambient.
- RoHS Compliant.

Electrical

- 120-277 volt and 347-480 volt available.
- Minimum drivers power factor: >0.9.
- Electrical surge protection in accordance with IEEE/ANSI C62.41.2 guidelines.
- UL listed in U.S. and Canada.

Mechanical

- Cast aluminum heat sink, arm and housing top cover.
- Spun aluminum heat sink and lens cover.
- Tool-less driver access and removable driver tray.
- AAD™ "Advanced Air-flow Dynamics" maximizes heat sink expulsion.

Controls

- Supplied with dimmable driver (0-10 Volts)
- R 3-Pin ANSI receptacle only
- R5 5-Pin ANSI receptacle only
- R7 7-Pin ANSI receptacle only
- PE twist-lock photocontrol (120V-277V)
- PE3 twist-lock photocontrol (347V)
- PE4 twist-lock photocontrol (480V)
- SC Shorting Cap
- PEC Electronic Button Photocontrol (120V-277V)
- PEC4 Electronic Button Photocontrol (480)

Finish

- Durable, color retentive powder coat finish.

Warranty & Standards

LED Systems and Drivers - 7 years. All fixtures shall be free from all defects in materials and workmanship for a period of 7 years from the date of manufacture. The luminaire manufacturer shall warrant the LED boards/system, during the stated warranty period, against failure defined as more than 10 percent of non-operating LEDs.

Motion Sensors:

- MOT1³: 360° lens, maximum coverage 40' diameter from 20' height
- MOT2³: 360° lens, maximum coverage 70' diameter from 20' height

³ Note: Requires flat acrylic lens

Drivers:

- MDL03: 350mA, 120-277V
- MDL05: 525mA, 120-277V
- MDH03: 350mA, 347-480V
- MDH05: 525mA, 347-480V

Lens:

- CA - Clear Flat Acrylic
- FG - Clear Flat Glass
- SA - Clear Sag Acrylic
- FFG - Frosted Flat Glass

Soft Vue:*

- SV1 - Flat Soft Vue Light Diffused Acrylic
- SV2 - Flat Soft Vue Moderate Diffused Acrylic
- SV1SA - Soft Vue Light Diffused Sag Acrylic
- SV2SA - Soft Vue Moderate Diffused Sag Acrylic
- SV4SA - Soft Vue Maximum Diffused Sag Acrylic

*Provides described reduction in Brightness with only a minimal reduction in lumen output.

Round Pole Adapter:

- RP34: For 3"-4" Pole Diameters
 - RP56: For 5"-6" Pole Diameters
- Required for round poles

Colors:

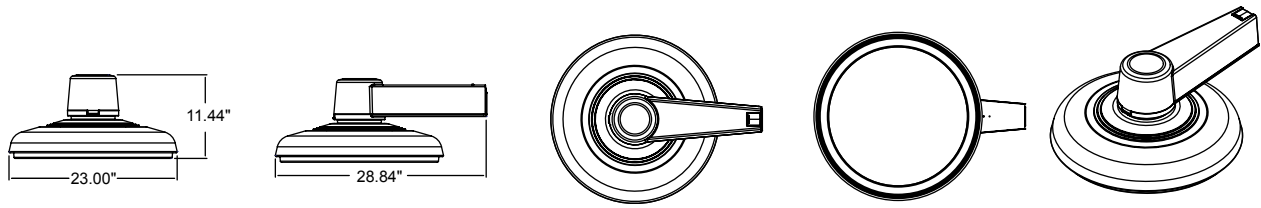
- UGMT - Urban Gun Metal Textured
- UBT - Urban Bronze Textured
- ULBT - Urban Light Bronze Textured
- USLT - Urban Silver Textured
- UWHT - Urban White Textured
- UCHS - Urban Champagne Satin Smooth
- UGM - Urban Gun Metal Matte
- UB - Urban Bronze Matte
- ULB - Urban Light Bronze Matte
- USL - Urban Silver Matte
- UWH - Urban White Matte
- BKT - Black Textured

Performance (Based on FG Lens)

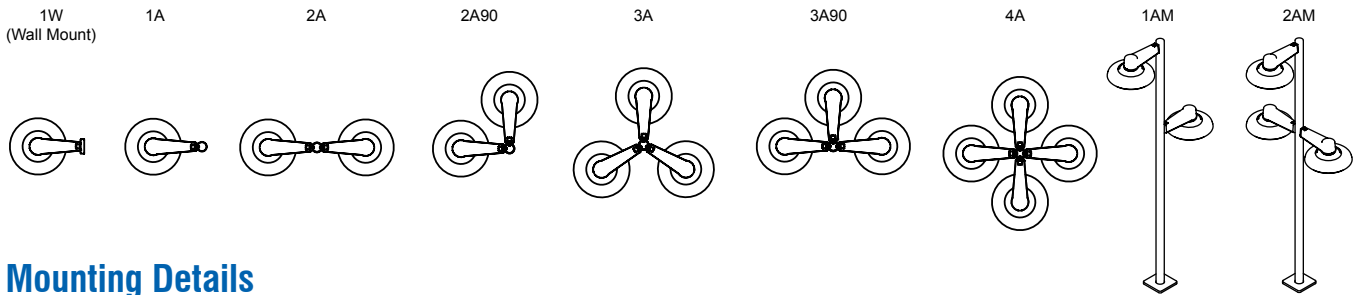
MODEL #	T2 DELIVERED LUMENS	EFFICACY (LPW)	T3 DELIVERED LUMENS	EFFICACY (LPW)	T3R DELIVERED LUMENS	EFFICACY (LPW)	T4 DELIVERED LUMENS	EFFICACY (LPW)	T5 DELIVERED LUMENS	EFFICACY (LPW)	WATTAGE
140L45T_-MDL05	24695	103.3	24120	100.9	24355	101.9	24030	100.5	24950	104.4	239.0
140L35T_-MDL05	23195	97.1	22655	94.8	22875	95.7	22570	94.4	23435	98.1	239.0
140L27T_-MDL05	20355	85.2	19885	83.2	20075	84.0	19810	82.9	20565	86.0	239.0
112L45T_-MDL05	20015	103.2	19485	100.4	19685	101.5	19390	99.9	20075	103.5	194.0
112L35T_-MDL05	18800	96.9	18300	94.3	18490	95.3	18210	93.9	18855	97.2	194.0
112L27T_-MDL05	16500	85.1	16060	82.8	16225	83.6	15985	82.4	16550	85.3	194.0
140L45T_-MDL03	17955	115.8	17540	113.2	17880	115.4	17705	114.2	17650	113.9	155.0
140L35T_-MDL03	16865	108.8	16475	106.3	16795	108.4	16630	107.3	16575	106.9	155.0
140L27T_-MDL03	14800	95.5	14460	93.3	14740	95.1	14595	94.2	14550	93.9	155.0
112L45T_-MDL03	14375	115.9	13765	111.0	14255	115.0	13860	111.8	14180	114.4	124.0
112L35T_-MDL03	13500	108.9	12930	104.3	13390	108.0	13015	105.0	13320	107.4	124.0
112L27T_-MDL03	11850	95.6	11345	91.5	11750	94.8	11425	92.1	11690	94.3	124.0
84L45T_-MDL03	10850	115.4	10350	110.1	10735	114.2	10405	110.7	10740	114.3	94.0
84L35T_-MDL03	10190	108.4	9720	103.4	10080	107.2	9770	103.9	10085	107.3	94.0
84L27T_-MDL03	8945	95.2	8530	90.7	8850	94.1	8575	91.2	8855	94.2	94.0
56L45T_-MDL03	7350	114.8	7005	109.5	7275	113.7	7020	109.7	7245	113.2	64.0
56L35T_-MDL03	6905	107.9	6580	102.8	6835	106.8	6595	103.0	6805	106.3	64.0
56L27T_-MDL03	6060	94.7	5775	90.2	5995	93.7	5785	90.4	5970	93.3	64.0

Product Dimensions and Features

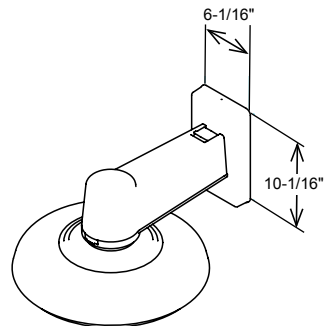
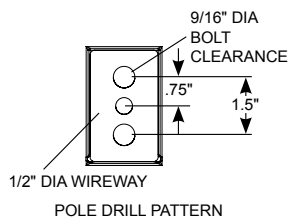
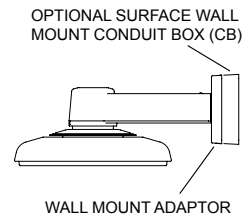
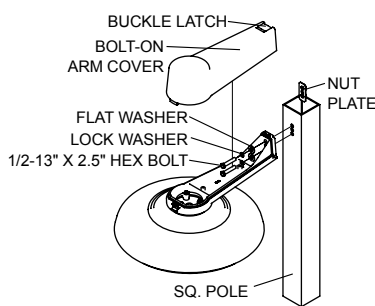
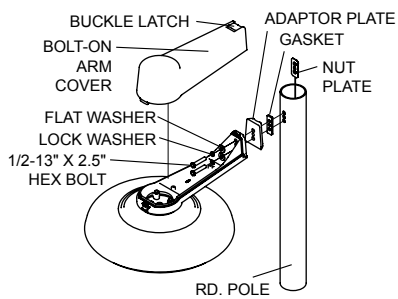
EPA: 1.2 SQUARE FT
WEIGHT: 54 LBS



Mounting Configurations



Mounting Details



Other Options

