



# SOLANA® SL660

The Solana® SL660 Post-Top Luminaire's modern geometric design complements a diverse assortment of contemporary architectural settings. It's urbanesque yoke design offers not only aesthetic beauty, durability and optical efficiency, but takes street, area, and medium mount lighting to another level. The Solana® SL660 is well suited for all roadway, site and pedestrian environments.



PROJECT: \_\_\_\_\_  
 TYPE: \_\_\_\_\_

## ORDERING EXAMPLE: PT-SL660-CA-84L45T5-F-MDH05-MOT1-HSS-FHD / UGMT

SL660													
MOUNTING CONFIG.	SERIES	LENS	NO. OF LEDS	COLOR TEMP K	DISTRIBUTION TYPE	DRIVER	CONTROL RECEPTACLE	CONTROL	MOTION SENSOR	HOUSE SIDE SHIELD	DUAL FUSE & HOLDER	COLOR	
PT	Medium Area Post Top	CA	84L	27(00) K	T2	MDL03	OPTIONS					UGMT	UGM
1W		FG	56L <sup>1</sup>	35(00) K	T3	MDL05	R	PE	MOT1 <sup>2</sup>	HSS	FHD	UBT	UB
1A		SA	42L <sup>1</sup>	45(00) K	T3R	MDH03	R5	PE3	MOT2 <sup>2</sup>			ULBT	ULB
2A		FFG			T4	MDH05	R7	PE4				USLT	USL
2A90		SV1*			T5			SC				UWHT	UWH
1AM		SV2**						PEC				UCHS	
2AM		SV1SA*						PEC4				BKT	
		SV2SA**											

A = Arm Mount AM = Arm Mid-Mount W = Wall Mount (\* Designate 1WCB if surface mount box required)

## Product Specs

### Optical

- IP65 rated optic module with BUG rating of U-1.
- Available in IES Type 2, 3, 3R, 4 and 5 distribution.
- Utilizes high output, high brightness LEDs.
- Typical CRI of 70, CCT 2700, 3500 and 4500K. Call factory for custom CCT.
- LM-79 and LM-80 tests in accordance with IESNA standards.
- Lumen depreciation rating L<sub>70</sub>>100,000 hrs. projected per TM-21 guideline using 525mA drive at 25°C ambient.
- RoHS Compliant.

- 120-277 volt and 347-480 volt available.
- Minimum drivers power factor: >0.9.
- Electrical surge protection in accordance with IEEE/ANSI C62.41.2 guidelines.
- UL or ETL listed in U.S. and Canada.

### Mechanical

- Cast aluminum heat sink, arms, lens cover, housing top cover and housing/fitter.
- Spun aluminum heat sink cover.
- Fitter installs on standard 3 in tenon.
- Tool-less driver access and removable driver tray.
- AAD™ "Advanced Air-flow Dynamics" maximizes heat sink expulsion.

### Controls

- Supplied with dimmable driver.
- Optional Roto-lock photocell receptacle only R, R5, R7.
- Optional Roto-lock photo cell PE, PE3, PE4, SC.
- Optional electronic button photocell: PEC (120-277V), PEC4 (480v).

### Finish

- Durable, color retentive powder coat finish.

### Warranty & Standards

LED Systems and Drivers - 7 years. All fixtures shall be free from all defects in materials and workmanship for a period of 7 years from the date of manufacture. The luminaire manufacturer shall warrant the LED boards/system, during the stated warranty period, against failure defined as more than 10 percent of non-operating LEDs.

### Motion Sensors:

- MOT1<sup>2</sup>:** 360° lens, maximum coverage 40' diameter from 20' height
- MOT2<sup>2</sup>:** 360° lens, maximum coverage 70' diameter from 20' height

<sup>2</sup>Note: Requires acrylic flat lens (CA, SV1 or SV2)

### Drivers:

- MDL03:** 350mA, 120-277V
- MDL05:** 525mA, 120-277V
- MDH03:** 350mA, 347-480V
- MDH05:** 525mA, 347-480V

### Lens:

- CA** - Clear Flat Acrylic
- FG** - Clear Flat Glass
- SA** - Clear Sag Acrylic
- FFG** - Frosted Flat Glass

### Soft Vue:

- SV1\*** - Flat Soft Vue Medium Diffused Acrylic
- SV2\*\*** - Flat Soft Vue Heavy Diffused Acrylic
- SV1SA\*** - Sag Soft Vue Medium Diffused Acrylic
- SV2SA\*\*** - Sag Soft Vue Heavy Diffused Acrylic

\*Provides moderate reduction in Brightness while only a minimal reduction in lumen output. \*\*Provides maximum reduction in Brightness while only a nominal reduction in lumen output. Consult photometric files for exact lumen performance as percentages noted are averages.

### Colors:

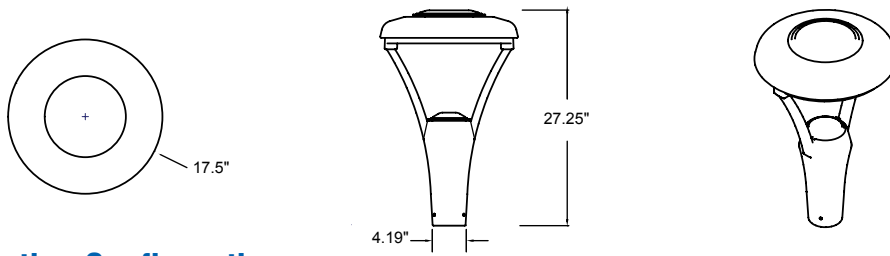
- UGMT** - Urban Gun Metal Textured
- UBT** - Urban Bronze Textured
- ULBT** - Urban Light Bronze Textured
- USLT** - Urban Silver Textured
- UWHT** - Urban White Textured
- UCHS** - Urban Champagne Satin Smooth
- BKT** - Black Textured
- UGM** - Urban Gun Metal Matte
- UB** - Urban Bronze Matte
- ULB** - Urban Light Bronze Matte
- USL** - Urban Silver Matte
- UWH** - Urban White Matte

## Electrical Performance (Based on FG Lens)

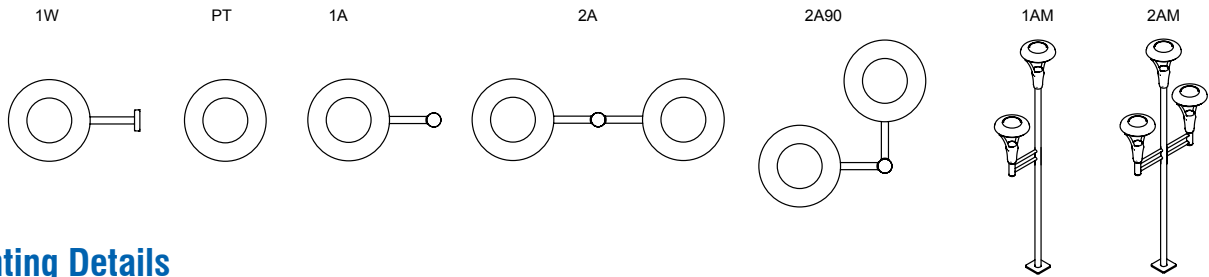
MODEL #	T2 DELIVERED LUMENS	EFFICACY (LPW)	T3 DELIVERED LUMENS	EFFICACY (LPW)	T3R DELIVERED LUMENS	EFFICACY (LPW)	T4 DELIVERED LUMENS	EFFICACY (LPW)	T5 DELIVERED LUMENS	EFFICACY (LPW)	WATTAGE
84L27T_-MD_05	9180	84.1	8990	64.2	9070	64.8	9050	64.6	9240	66.0	140
84L35T_-MD_05	10475	74.8	10260	73.3	10345	73.9	10330	73.8	10540	75.3	140
84L45T_-MD_05	11770	65.6	11525	82.3	11625	83.0	11605	82.9	11845	84.6	140
84L27T_-MD_03	6575	91.6	6425	69.8	6485	70.5	6505	70.7	6605	71.8	92
84L35T_-MD_03	7505	81.6	7335	79.7	7400	80.4	7425	80.7	7535	81.9	92
84L45T_-MD_03	8430	71.5	8240	89.6	8315	90.4	8340	90.7	8470	92.1	92
56L27T_-MD_03	4435	88.9	4355	68.0	4395	68.7	4430	69.2	4510	70.5	64
56L35T_-MD_03	5065	79.1	4970	77.7	5015	78.4	5055	79.0	5145	80.4	64
56L45T_-MD_03	5690	69.3	5585	87.3	5635	88.0	5680	88.8	5780	90.3	64
42L27T_-MD_03	3355	89.6	4195	68.2	3305	68.9	3320	69.2	3420	71.3	48
42L35T_-MD_03	3825	79.7	3735	77.8	3775	78.6	3790	79.0	3905	81.4	48
42L45T_-MD_03	4300	69.9	3275	87.4	4240	88.3	4260	88.8	4385	91.4	48

# Product Dimensions and Features

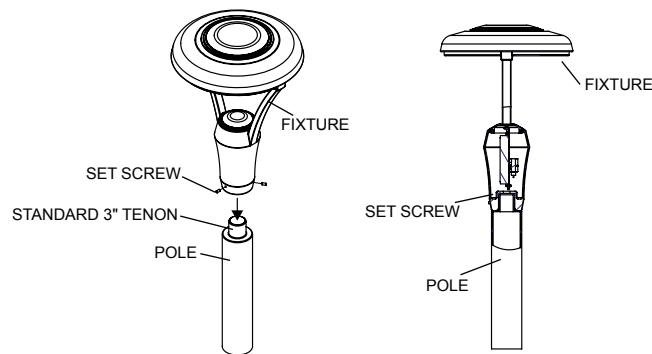
EPA: 0.9 SQUARE FT  
WEIGHT: 29 LBS



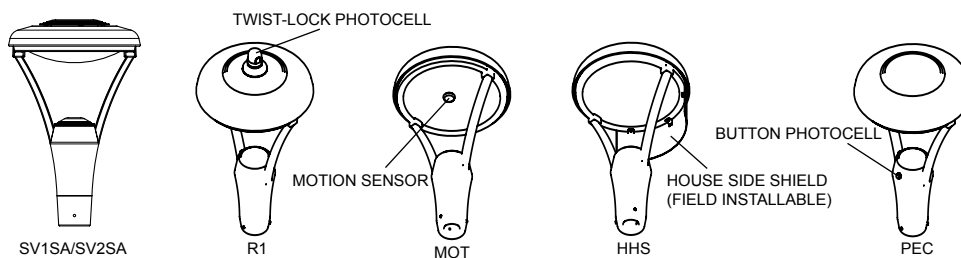
## Mounting Configurations



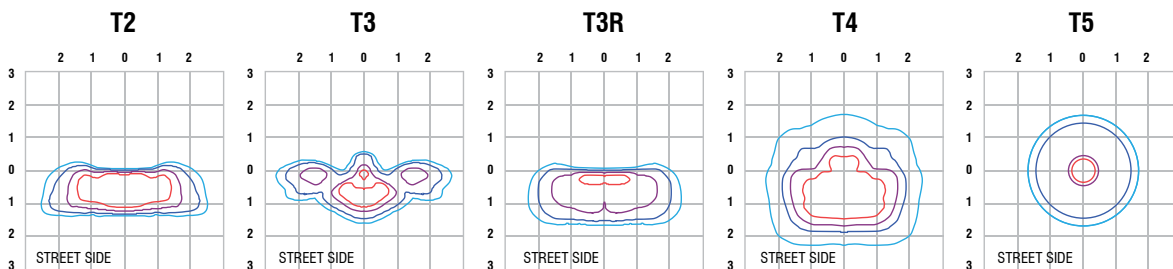
## Mounting Details



## Other Options



## ISO Footcandle Plots



All published luminaire photometric testing performed to IESNA LM-79 standards by NVLAP, certified laboratory. ISO footcandle plots above demonstrate the SOLANA's light patterns only. Not for total fixture output. For complete specifications and IES files, see website.