



# SOLANA® SL630

The Solana® SL630 Arm Mount Luminaire's stylish design is a perfect accent for urban settings. The subtle, yet sophisticated look enhances the impact of any project. The Solana's wide array of optics, lenses and distributions makes this an easy choice for a variety of commercial, institutional and municipal projects.



PROJECT: \_\_\_\_\_

TYPE: \_\_\_\_\_

## ORDERING EXAMPLE: 1A-SL630-FG-84L45T3-MDL05-MOT1-HSS-FHD / RP34 / UWHT

SL630															
MOUNTING CONFIG.	SERIES	LENS	NO. OF LEDES	COLOR TEMP K	DISTRIBUTION TYPE	DRIVER	CONTROL RECEPTACLE	CONTROL	MOTION SENSOR	HOUSE SIDE SHIELD	DUAL FUSE & HOLDER	ROUND POLE ADAPTER	COLOR		
1W*	Medium Area Bolt-On Arm	CA	84L	27(00) K	T2	MDL03	OPTIONS						UGMT	UGM	
1A		FG	56L <sup>1</sup>	35(00) K	T3	MDL05	R	PE	MOT1 <sup>2</sup>	HSS	FHD	RP34	UBT	UB	
2A		SA	42L <sup>1</sup>	45(00) K	T3R	MDH03	R5	PE3	MOT2 <sup>2</sup>			RP56	ULBT	ULB	
2A90		FFG			T4	MDH05	R7	PE4					USLT	USL	
3A		SV1*			T5			SC					UWHT	UWH	
3A90		SV2**						PEC					UCHS		
4A		SV1SA*						PEC4					BKT		
1AM		SV2SA**													
2AM															

A = Arm Mount AM = Arm Mid-Mount W = Wall Mount (\*Designate 1WCB if surface mount box required)

## Product Specs

### Optical

- BUG rating of B4U3G2.
- Available in IES Type 2, 3, 3R, 4 and 5 distribution.
- Utilizes high output, high brightness LEDs.
- Operates at -40°C (-40°F) to +50°C (122°F) ambient air temperature range.
- Typical CRI of 70, CCT 2700, 3500 and 4500K. Call factory for custom CCT.
- LM-79 and LM-80 tests in accordance with IESNA standards.
- Lumen depreciation rating L<sub>70</sub> > 100,000 hrs. projected per TM-21 guideline using 525mA drive current at 25°C ambient.
- RoHS Compliant.

### Electrical

- 120-277 volt and 347-480 volt available.
- Minimum drivers power factor: >0.9.
- Electrical surge protection in accordance with IEEE/ANSI C62.41.2 guidelines.
- UL or ETL listed in U.S. and Canada.

### Mechanical

- Cast aluminum heat sink, arm and housing top cover.
- Spun aluminum heat sink and lens cover.
- Tool-less driver access and removable driver tray.
- AAD™ "Advanced Air-flow Dynamics" maximizes heat sink expulsion.

### Controls

- Supplied with dimmable driver.
- Optional Roto-lock receptacle only R, R5, R7.
- Optional Roto-lock photocell PE, PE3, PE4, SC.
- Optional electronic button photocell: PEC (120- 277V), PEC4 (480v).

### Finish

- Durable, color retentive powder coat finish.

### Warranty & Standards

LED Systems and Drivers - 7 years. All fixtures shall be free from all defects in materials and workmanship for a period of 7 years from the date of manufacture. The luminaire manufacturer shall warrant the LED boards/system, during the stated warranty period, against failure defined as more than 10 percent of non-operating LEDs.

### Motion Sensors:

- MOT1<sup>2</sup>:** 360° lens, maximum coverage 40' diameter from 20' height
- MOT2<sup>2</sup>:** 360° lens, maximum coverage 70' diameter from 20' height

<sup>2</sup>Note: Requires acrylic flat lens (CA, SV1 or SV2)

### Drivers:

- MDL03:** 350mA, 120-277V
- MDL05:** 525mA, 120-277V
- MDH03:** 350mA, 347-480V
- MDH05:** 525mA, 347-480V

### Lens:

- CA** - Clear Flat Acrylic
- FG** - Clear Flat Glass
- SA** - Clear Sag Acrylic
- FFG** - Frosted Flat Glass

### Soft Vue:

- SV1\*** - Flat Medium Diffuse Acrylic Lens
  - SV2\*\*** - Flat Heavy Diffuse Acrylic Lens
  - SV1SA\*** - Sag Medium Diffuse Acrylic Lens
  - SV2SA\*\*** - Sag Heavy Diffuse Acrylic Lens
- \*Provides moderate reduction in Brightness while only a minimal reduction in lumen output. \*\*Provides maximum reduction in Brightness while only a nominal reduction in lumen output. Consult photometric files for exact lumen performance as percentages noted are averages.

### Round Pole Adapter:

- RP34:** For 3"-4" Pole Diameters
  - RP56:** For 5"-6" Pole Diameters
- Required for round poles

### Colors:

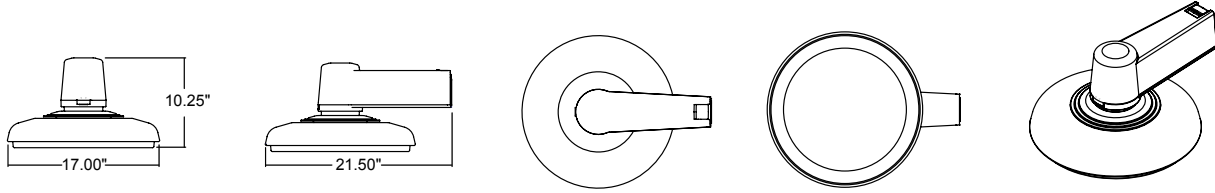
- UGMT** - Urban Gun Metal Textured
- UBT** - Urban Bronze Textured
- ULBT** - Urban Light Bronze Textured
- USLT** - Urban Silver Textured
- UWHT** - Urban White Textured
- UCHS** - Urban Champagne Satin Smooth
- BKT** - Black Textured
- UGM** - Urban Gun Metal Matte
- UB** - Urban Bronze Matte
- ULB** - Urban Light Bronze Matte
- USL** - Urban Silver Matte
- UWH** - Urban White Matte

## Performance (Based on FG Lens)

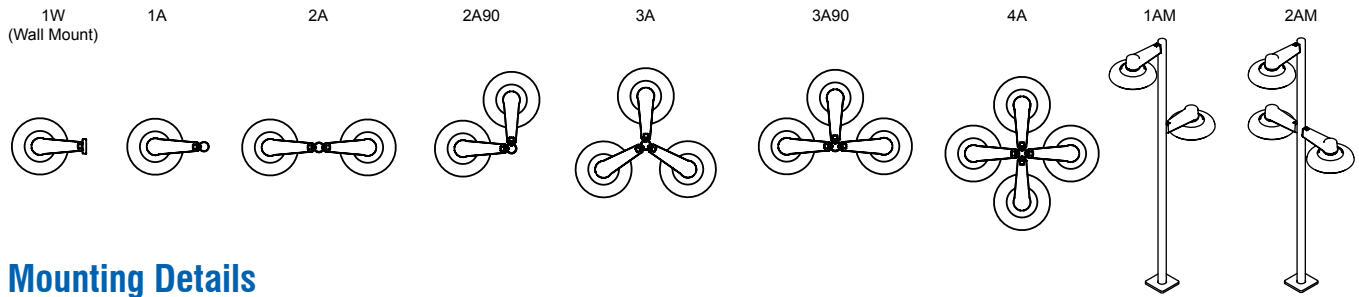
MODEL #	T2 DELIVERED LUMENS	EFFICACY (LPW)	T3 DELIVERED LUMENS	EFFICACY (LPW)	T3R DELIVERED LUMENS	EFFICACY (LPW)	T4 DELIVERED LUMENS	EFFICACY (LPW)	T5 DELIVERED LUMENS	EFFICACY (LPW)	WATTAGE
84L27T_-MD_05	10555	75.4	10310	73.6	10410	74.4	10275	73.4	10470	74.8	140
84L35T_-MD_05	12045	86.0	11765	84.0	11880	84.9	11725	83.8	11945	85.3	140
84L45T_-MD_05	13535	96.7	13220	94.4	13345	95.3	13175	94.1	13420	95.9	140
84L27T_-MD_03	7600	82.6	7350	79.9	7445	80.9	7385	80.3	7535	81.9	92
84L35T_-MD_03	8670	94.2	8390	91.2	8495	92.3	8425	91.6	8600	93.5	92
84L45T_-MD_03	9745	105.9	9425	102.4	9545	102.9	9470	102.9	9660	105.0	92
56L27T_-MD_03	5210	81.4	5055	79.0	5100	79.7	5080	79.4	5170	80.8	64
56L35T_-MD_03	5945	92.9	5770	90.2	5820	90.9	5795	90.5	5895	92.1	64
56L45T_-MD_03	6680	104.4	6480	101.3	6540	102.2	6515	101.8	6625	103.5	64
42L27T_-MD_03	3970	82.7	3830	79.8	3880	80.8	3840	80.0	3900	81.3	48
42L35T_-MD_03	4530	94.4	4370	91.0	4430	92.3	4380	91.3	4450	92.7	48
42L45T_-MD_03	5090	106.0	4910	102.3	4975	103.6	4920	102.5	5000	104.2	48

# Product Dimensions and Features

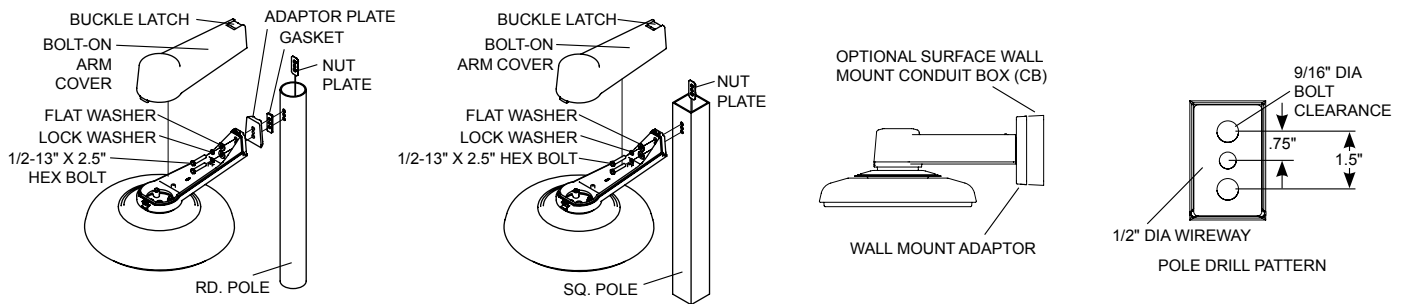
EPA: 0.8 SQUARE FT  
WEIGHT: 33 LBS



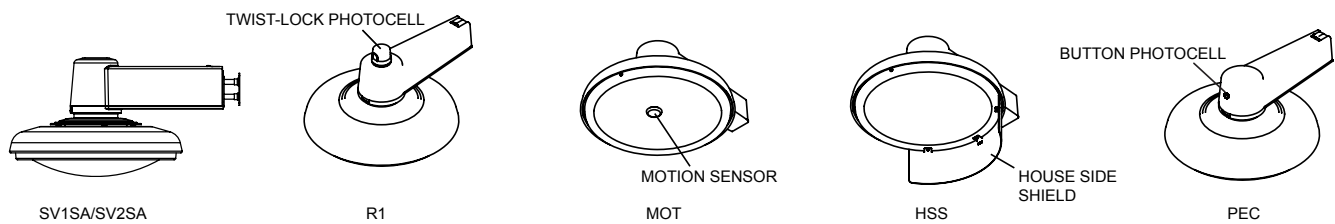
## Mounting Configurations



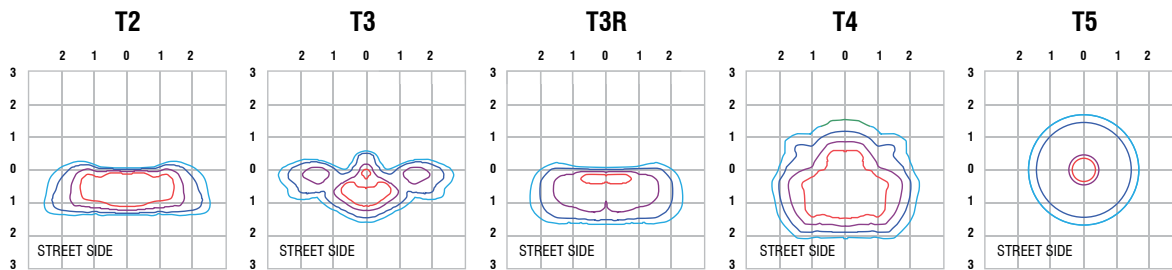
## Mounting Details



## Other Options



## ISO Footcandle Plots



All published luminaire photometric testing performed to IESNA LM-79 standards by NVLAP, certified laboratory. ISO footcandle plots above demonstrate the SOLANA's light patterns only. Not for total fixture output. For complete specifications and IES files, see website.



800-621-3376  
555 Lawrence Ave., Roselle, IL 60172  
info@sternberglighting.com  
www.sternberglighting.com