



SOLANA® SL610

The Solana® SL610 Stem Mount Luminaire's stylish design is a perfect accent for urban settings. The subtle, yet sophisticated look enhances the impact of any project. The Solana's wide array of optics, lenses and distributions makes this an easy choice for a variety of commercial, institutional and municipal projects.



PROJECT: _____

TYPE: _____

ORDERING EXAMPLE: SM-SL610-FG-84L45T3-F-MDL03-PEC-FHD / UBKT

SL610													
MOUNTING CONFIG.	SERIES	LENS	NO. OF LEDS	COLOR TEMP K	DISTRIBUTION TYPE	DISTRIBUTION ORIENTATION	DRIVER	BUTTON PHOTOCELL	MOTION SENSOR	HOUSE SIDE SHIELD	DUAL FUSE & HOLDER	COLOR	
SM	Medium Area Stem Mounted	FG	84L	27(00) K	T2	F	MDL03	OPTIONS				UBKT	UBK
CTC		CA	56L ¹	35(00) K	T3		MDL05	PEC	MOT1 ³	HSS	FHD	UBT	UB
		SV1*	42L ¹	45(00) K	T3R		MDH03 ²		MOT2 ³			ULBT	ULB
		SV2**			T4		MDH05 ³					USLT	USL
					T5							UWHT	UWH
											UCHS		

SM = Stem Mount (specify overall length) CTC = Close to Ceiling ¹ Not available in 05 driver ² 42L requires a remote mounted step down transformer ³ MD_05 only available with 84L

Product Specs

Optical

- BUG rating of B4U3G2.
- Available in IES Type 2, 3, 3R, 4 and 5 distribution.
- Utilizes high output, high brightness LEDs.
- Operates at -40°C (-40°F) to +50°C (122°F) ambient air temperature range.
- Typical CRI of 70, CCT 2700, 3500 and 4500K. Call factory for custom CCT.
- LM-79 and LM-80 tests in accordance with IESNA standards.
- Lumen depreciation rating L₇₀>150,000 hrs. projected per TM-21 guideline using 525mA drive current at 25°C ambient.
- RoHS Compliant.

Electrical

- 120-277 volt and 347-480 volt available.
- Minimum drivers power factor: >0.9.
- Electrical surge protection in accordance with IEEE/ANSI C62.41.2 guidelines.
- UL or ETL listed in U.S. and Canada.

Mechanical

- Cast aluminum heat sink, arm and housing top cover.
- Spun aluminum heat sink and lens cover.
- Tool-less driver access and removable driver tray.
- AAD™ "Advanced Air-flow Dynamics" maximizes heat sink expulsion.

Button Photocell

- Optional electronic button photocell: PEC (120-277V)

Finish

- Durable, color retentive powder coat finish.

Warranty & Standards

LED Systems and Drivers - 7 years. All fixtures shall be free from all defects in materials and workmanship for a period of 7 years from the date of manufacture. The luminaire manufacturer shall warrant the LED boards/system, during the stated warranty period, against failure defined as more than 10 percent of non-operating LEDs.

Motion Sensors:

- MOT1⁴:** 360° lens, maximum coverage 40' diameter from 20' height
- MOT2⁴:** 360° lens, maximum coverage 70' diameter from 20' height

⁴ Note: Requires acrylic flat lens (CA, SV1 or SV2)

Drivers:

- MDL03:** 350mA, 120-277V
- MDL05:** 525mA, 120-277V
- MDH03:** 350mA, 347-480V
- MDH05:** 525mA, 347-480V

Lens:

- CA** - Clear Flat Acrylic
- FG** - Clear Flat Glass

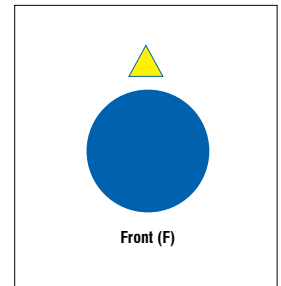
Soft Vue:

- SV1*** - Flat Medium Diffuse Acrylic Lens
 - SV2**** - Flat Heavy Diffuse Acrylic Lens
- *Provides moderate reduction in Brightness while only a minimal reduction in lumen output. **Provides maximum reduction in Brightness while only a nominal reduction in lumen output. Consult photometric files for exact lumen performance as percentages noted are averages.

Colors:

- UBKT** - Urban Black Textured
- UBT** - Urban Bronze Textured
- ULBT** - Urban Light Bronze Textured
- USLT** - Urban Silver Textured
- UWHT** - Urban White Textured
- UCHS** - Urban Champagne Satin Smooth
- UBK** - Urban Black Matte
- UB** - Urban Bronze Matte
- ULB** - Urban Light Bronze Matte
- USL** - Urban Silver Matte
- UWH** - Urban White Matte

Distribution Orientation:



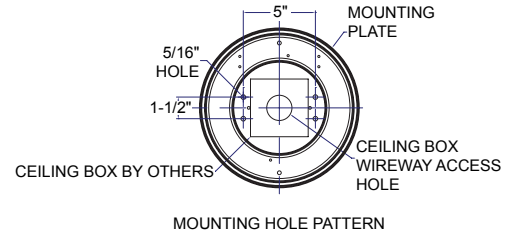
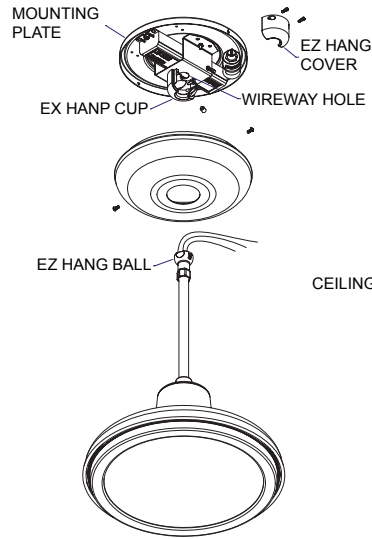
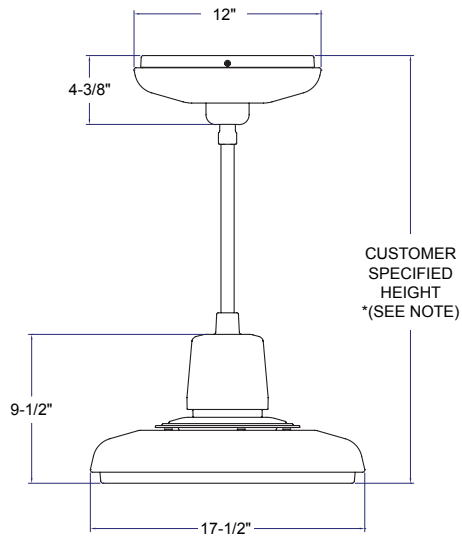
Performance (Based on FG Lens)

MODEL #	T2 DELIVERED LUMENS	EFFICACY (LPW)	T3 DELIVERED LUMENS	EFFICACY (LPW)	T3R DELIVERED LUMENS	EFFICACY (LPW)	T4 DELIVERED LUMENS	EFFICACY (LPW)	T5 DELIVERED LUMENS	EFFICACY (LPW)	WATTAGE
42L27T_-MD_03	3645	72.0	3470	69.0	3540	70.0	3510	70.0	3500	70.0	50
42L35T_-MD_03	4160	83.0	3960	79.0	4035	80.0	4005	80.0	3990	79.0	50
42L45T_-MD_03	4430	88.0	4220	84.0	4300	86.0	4265	85.0	4250	85.0	50
56L27T_-MD_03	4630	69.0	4495	67.0	4465	66.0	4620	68.0	4755	70.0	67
56L35T_-MD_03	5275	78.0	5125	76.0	5095	76.0	5270	78.0	5425	80.0	67
56L45T_-MD_03	5625	83.0	5460	81.0	5425	80.0	5615	83.0	5780	86.0	67
84L27T_-MD_03	6720	66.0	6510	64.0	6710	66.0	6635	65.0	6760	66.0	101
84L35T_-MD_03	7665	75.0	7420	73.0	7650	75.0	7565	74.0	7705	76.0	101
84L45T_-MD_03	8125	80.0	7910	78.0	8155	80.0	8060	79.0	8210	81.0	101
84L27T_-MD_05	93125	625.0	8800	59.0	8980	60.0	8930	59.0	9420	63.0	149
84L35T_-MD_05	10620	71.0	10035	67.0	10245	68.0	10180	68.0	10740	72.0	149
84L45T_-MD_05	11320	75.0	10690	71.0	10915	73.0	10850	72.0	11445	76.0	149

EPA: 0.9 SQUARE FT
WEIGHT: 30 LBS

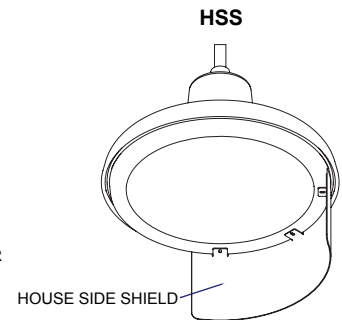
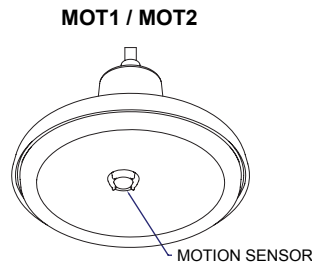
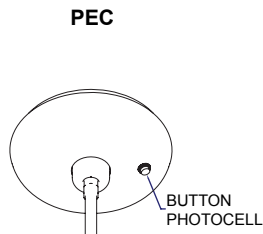
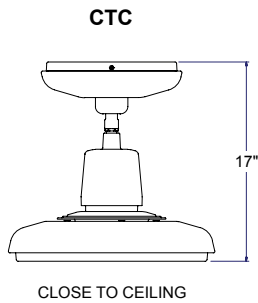
Product Dimensions and Features

Mounting Details

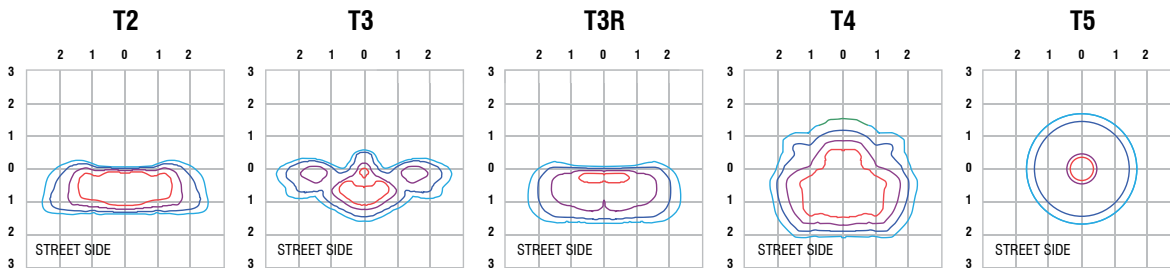


*Overall height must be minimum 18"

Other Options



ISO Footcandle Plots



All published luminaire photometric testing performed to IESNA LM-79 standards by NVLAP, certified laboratory. ISO footcandle plots above demonstrate the SOLANA'S light patterns only. Not for total fixture output. For complete specifications and IES files, see website.