



SOLANA® SL360

UL LISTED 	RATED IP65 	CCT OPTIONS 2700 3500 4500	LIFE SPAN L70 100,000 HOURS OR MORE	7 YEAR WARRANTY ON ELECTRONICS 	LUMEN OUTPUT 1730 to 3840
----------------------	-----------------------	--	---	---	--

PROJECT: _____

TYPE: _____

ORDERING EXAMPLE: PT8-SL360-FG-26L45T5-F-MDL03-PEC-FHD/UBKT

		SL360												
MOUNTING CONFIG.	HEIGHT (H) FT ¹	SERIES	LENS	NO. OF LEDS	COLOR TEMP K	DISTRIBUTION TYPE	DISTRIBUTION ORIENTATION	DRIVER	BUTTON PHOTO-CELL	GROUND FAULT BREAKER	DUAL FUSE & HOLDER	ROUND POLE ADAPTER	COLOR	
BL	2	Outdoor Ground, Pole, Post Top or Wall Mounted Luminaire	FG	26L	27(00)K	T2	F	MDL03	OPTIONS				UGMT	UGM
PB	3		FFG		35(00)K	T3	R	MDL05	PEC	GFI LPIUC	FHD	RP45	UBT	UB
PM	4		CA		45(00)K	T3R		MDL07	PEC4				ULBT	ULB
PT	5		SV1			T4		MDH03					USLT	USL
WM	6		SV2			T5		MDH05					UWHT	UWH
	7							MDH07					UCHS	BKT
	8													

¹PB = 2 BL = 3, 4 PT = 5, 6, 7, 8

Product Specs

Optical

- Full-cutoff. IP65 rated optic module.
- Available in IES Type 2, 3, 3R, 4 and 5 distributions.
- Utilizes high output, high brightness LEDs.
- Typical CRI of 70, CCT 2700, 3500 and 4500K. Call factory for custom CCT.
- LM-79 and LM-80 tests in accordance with IESNA standards.
- Lumen depreciation rating L70 > 100,000 hours, projected per TM-21 guideline using 700mA drive current at 25°C ambient.
- RoHS Compliant.

Electrical

- 120-277 volt and 347-480 volt available.
- Minimum driver power factor: > 0.9.
- Electrical surge protection in accordance with IEEE/ANSI C62.41.2 guidelines.
- UL listed in U.S. and Canada.

Mechanical

- Cast aluminum heat sink, arms, lens cover, heat sink cover, housing top cover and housing/fitter.
- AAD™ "Advanced Air-flow Dynamics" maximizes heat sink expulsion.

Controls

- **PEC:** Electronic Button Photocell (120v-277v)
- **PEC4:** Electronic Button Photocell (480v)

Finish

- Durable, color retentive powder coat finish.

Ground Fault Breaker

- **GFI LPIUC:** Optional 15A Duplex GFCI receptacle with a low profile in-use cover

Warranty & Standards

LED Systems and Drivers - 7 years.
All fixtures shall be free from all defects in materials and workmanship for a period of 7 years from the date of manufacture. The luminaire manufacturer shall warrant the LED boards/system, during the stated warranty period, against failure defined as more than 10 percent of non-operating LEDs.

Drivers (0-10V dimming):

- **MDL03:** 350mA, 120-277V
- **MDL05:** 525mA, 120-277V
- **MDL07:** 700mA, 120-277V
- **MDH03*:** 350mA, 347-480V
- **MDH05:** 525mA, 347-480V
- **MDH07:** 700mA, 347-480V

*Requires step down transformer

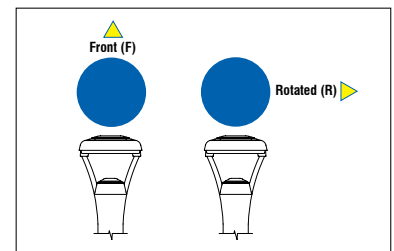
Lens:

- FG** - Anti-Reflectance Flat Glass
- FFG** - Frosted Flat Glass
- CA** - Clear Flat Acrylic

Soft Vue:

- SV1*** - Flat Diffuse Acrylic Lens
- SV2**** - Flat Diffuse Acrylic Lens

Distribution Orientation:



*Provides moderate reduction in Brightness while only a minimal reduction in lumen output. **Provides maximum reduction in Brightness while only a nominal reduction in lumen output. Consult photometric files for exact lumen performance as percentages noted are averages.

Round Pole Adapter:

RP45: For 4" - 5" Pole Diameters
Required for round poles

Colors:

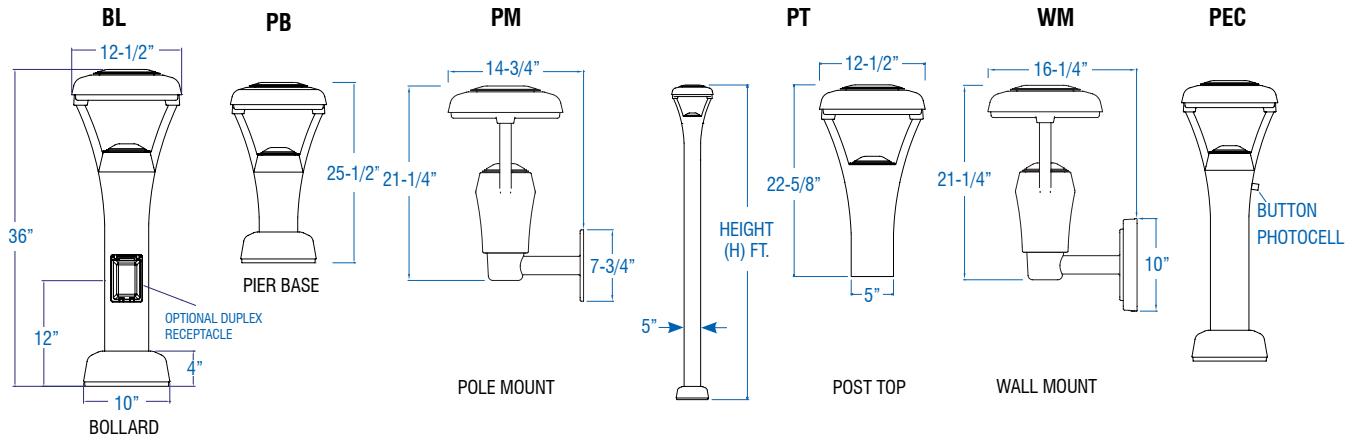
- UGMT** - Urban Gun Metal Textured
- UBT** - Urban Bronze Textured
- ULBT** - Urban Light Bronze Textured
- USLT** - Urban Silver Textured
- UWHT** - Urban White Textured
- UCHS** - Urban Champagne Satin Smooth
- UGM** - Urban Gun Metal Matte
- UB** - Urban Bronze Matte
- ULB** - Urban Light Bronze Matte
- USL** - Urban Silver Matte
- UWH** - Urban White Matte
- BKT** - Black Textured

Performance (Based on FG Lens)

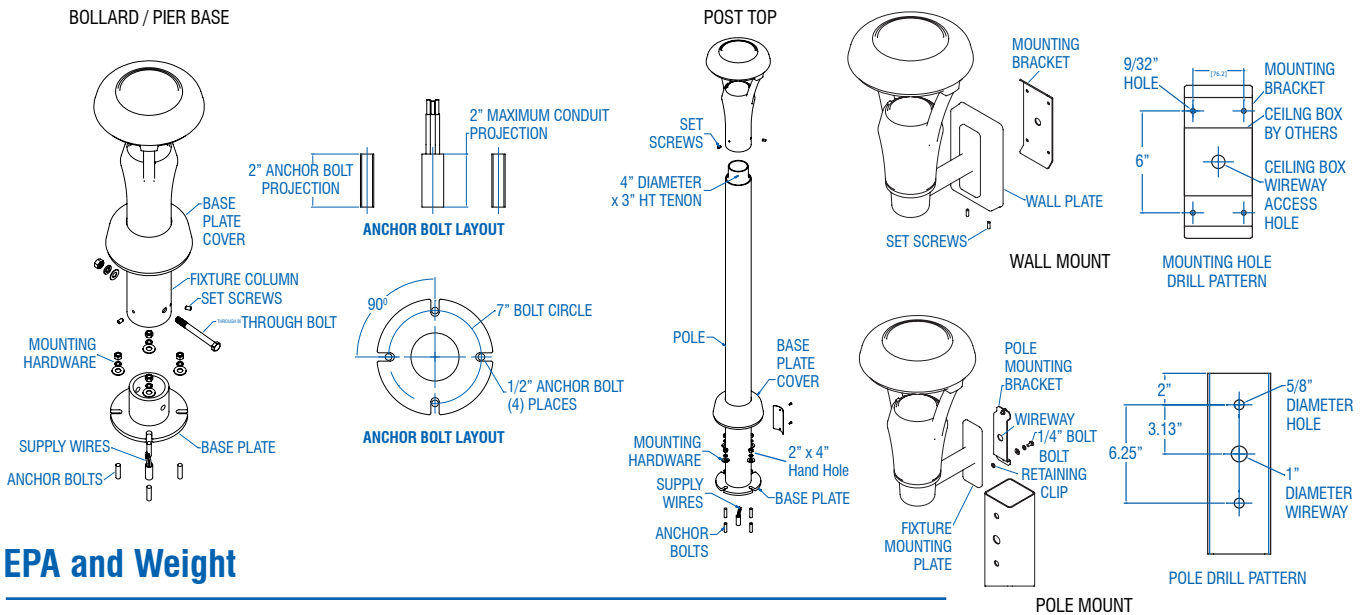
MODEL #	T2 DELIVERED LUMENS	EFFICACY (LPW)	T3 DELIVERED LUMENS	EFFICACY (LPW)	T3R DELIVERED LUMENS	EFFICACY (LPW)	T4 DELIVERED LUMENS	EFFICACY (LPW)	T5 DELIVERED LUMENS	EFFICACY (LPW)	WATTAGE
26L27T_-MD_03	1735	57.0	1730	57.0	1860	62.0	1930	64.0	1960	65.0	30
26L35T_-MD_03	1975	65.0	1975	65.0	2120	70.0	2205	73.0	2235	74.0	30
26L45T_-MD_03	2105	70.0	2105	70.0	2260	75.0	2345	78.0	2385	79.0	30
26L27T_-MD_05	2365	53.0	2340	53.0	2485	56.0	2610	59.0	2665	60.0	44
26L35T_-MD_05	2700	61.0	2670	60.0	2835	64.0	2980	67.0	3040	69.0	44
26L45T_-MD_05	2875	65.0	2845	64.0	3020	68.0	3175	72.0	3240	73.0	44
26L27T_-MD_07	2800	50.0	2780	50.0	2930	53.0	3075	55.0	3160	57.0	55
26L35T_-MD_07	3195	58.0	3170	57.0	3340	60.0	3505	63.0	3605	65.0	55
26L45T_-MD_07	3405	61.0	3375	61.0	3560	64.0	3735	67.0	3840	69.0	55

Product Dimensions & Features

Other Options



Mounting Configurations

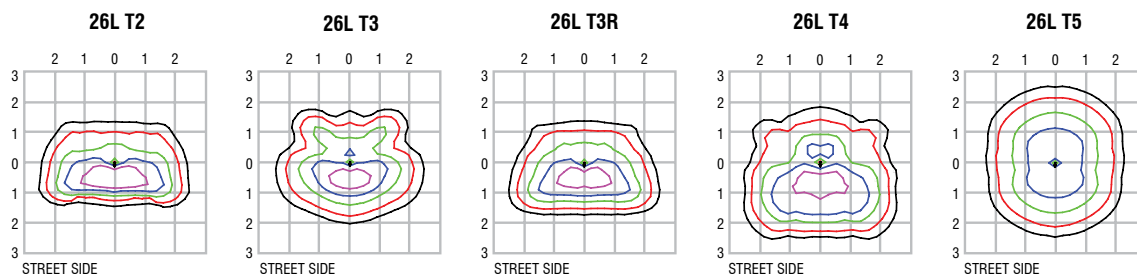


EPA and Weight

SL360	EPA	WT
BL	1.5 SQ. FT.	28.6 LBS. (3 FT. HT.)
PB	1.2 SQ. FT.	25.3 LBS.
PM	0.7 SQ. FT.	20.3 LBS.

SL360	EPA	WT
PT	0.7 SQ. FT.	18.5 LBS. (FIXTURE ONLY)
WM	0.8 SQ. FT.	22.9 LBS.

ISO Footcandle Plots



All published luminaire photometric testing performed to IESNA LM-79 standards by NVLAP certified laboratory. ISO footcandle plots demonstrate the SOLANA® SL360 light patterns only. Not for total fixture output. For complete specifications and IES files, see website.