



SOLANA® SL360



UL or ETL LISTED



RATED IP65



CCT OPTIONS

2700
3500
4500

LIFE SPAN

L70
100,000
HOURS
OR
MORE

7 YEAR WARRANTY ON ELECTRONICS



LUMEN OUTPUT

1730 to
3840

PROJECT: _____

TYPE: _____

ORDERING EXAMPLE: PT8-SL360-FG-26L45T5-F-MDL03-PEC-FHD/UBKT

SL360													
MOUNTING CONFIG.	HEIGHT (H) FT¹	SERIES	LENS	NO. OF LEDS	COLOR TEMP K	DISTRIBUTION TYPE	DISTRIBUTION ORIENTATION	DRIVER	BUTTON PHOTOCELL	DUAL FUSE & HOLDER	ROUND POLE ADAPTER	COLOR	
BL	2	Outdoor Ground, Pole, Post Top or Wall Mounted Luminaire	FG	26L	27(00) K	T2	F	MDL03	OPTIONS			UBKT	UBK
PB	3		FFG		35(00) K	T3	R	MDL05	PEC	FHD	RP45	UBT	UB
PM	4		CA		45(00) K	T3R		MDL07				ULBT	ULB
PT	5		SV1			T4		MDH03				USLT	USL
WM	6		SV2			T5		MDH05				UWHT	UWH
	7							MDH07				UCHS	
	8												

¹PB = 2 BL = 3, 4 PT = 5, 6, 7, 8

Product Specs

Optical

- Full-cutoff. IP65 rated optic module.
- Available in IES Type 2, 3, 3R, 4 and 5 distributions.
- Utilizes high output, high brightness LEDs.
- Operates at -40°C (-40°F) to +50°C (122°F) ambient air temperature range.
- Typical CRI of 70, CCT 2700, 3500 and 4500K. Call factory for custom CCT.
- LM-79 and LM-80 tests in accordance with IESNA standards.
- Lumen depreciation rating L70 > 100,000 hours, projected per TM-21 guideline using 700mA drive current at 25°C ambient.
- RoHS Compliant.

Electrical

- 120-277 volt and 347-480 volt available.
- Minimum driver power factor: > 0.9.
- Electrical surge protection in accordance with IEEE/ANSI C62.41.2 guidelines.
- UL or ETL listed in U.S. and Canada.

Mechanical

- Cast aluminum heat sink, arms, lens cover, heat sink cover, housing top cover and housing/fitter.
- AAD™ "Advanced Air-flow Dynamics" maximizes heat sink expulsion.

Controls

- Optional electronic button photocell: PEC (120-277V).

Finish

- Durable, color retentive powder coat finish.

Warranty & Standards

LED Systems and Drivers - 7 years.
All fixtures shall be free from all defects in materials and workmanship for a period of 7 years from the date of manufacture. The luminaire manufacturer shall warrant the LED boards/system, during the stated warranty period, against failure defined as more than 10 percent of non-operating LEDs.

Drivers (0-10V dimming):

- MDL03: 350mA, 120-277V
- MDL05: 525mA, 120-277V
- MDL07: 700mA, 120-277V
- MDH03*: 350mA, 347-480V
- MDH05: 525mA, 347-480V
- MDH07: 700mA, 347-480V

*Requires step down transformer

Lens:

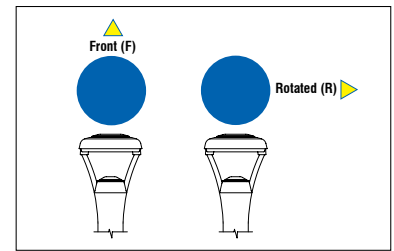
- FG - Anti-Reflectance Flat Glass
- FFG - Frosted Flat Glass
- CA - Clear Flat Acrylic

Soft Vue:

- SV1* - Flat Diffuse Acrylic Lens
- SV2** - Flat Diffuse Acrylic Lens

*Provides moderate reduction in Brightness while only a minimal reduction in lumen output. **Provides maximum reduction in Brightness while only a nominal reduction in lumen output. Consult photometric files for exact lumen performance as percentages noted are averages.

Distribution Orientation:



Round Pole Adapter:

RP45: For 4" - 5" Pole Diameters
Required for round poles

Colors:

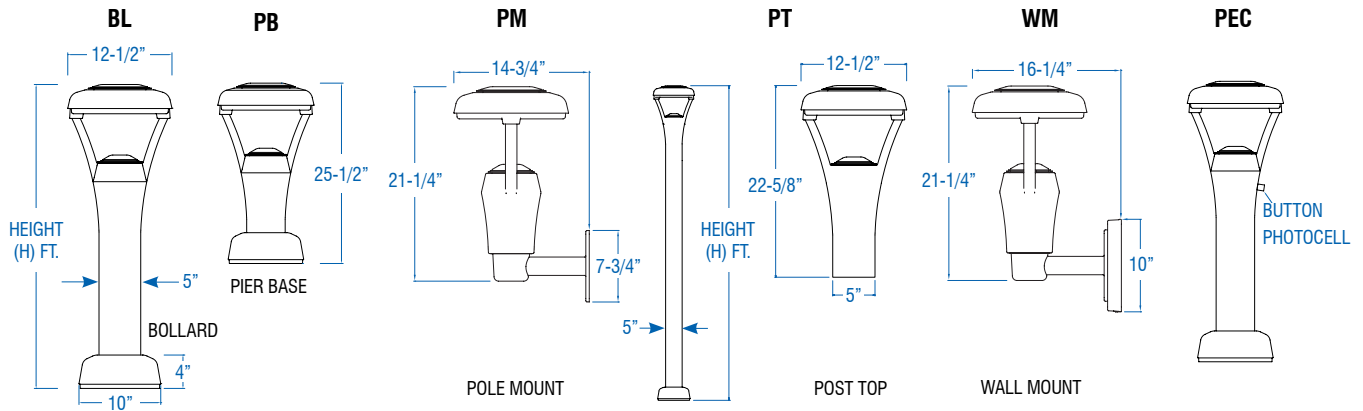
- UBKT - Urban Black Textured
- UBT - Urban Bronze Textured
- ULBT - Urban Light Bronze Textured
- USLT - Urban Silver Textured
- UWHT - Urban White Textured
- UCHS - Urban Champagne Satin Smooth
- UBK - Urban Black Matte
- UB - Urban Bronze Matte
- ULB - Urban Light Bronze Matte
- USL - Urban Silver Matte
- UWH - Urban White Matte

Performance (Based on FG Lens)

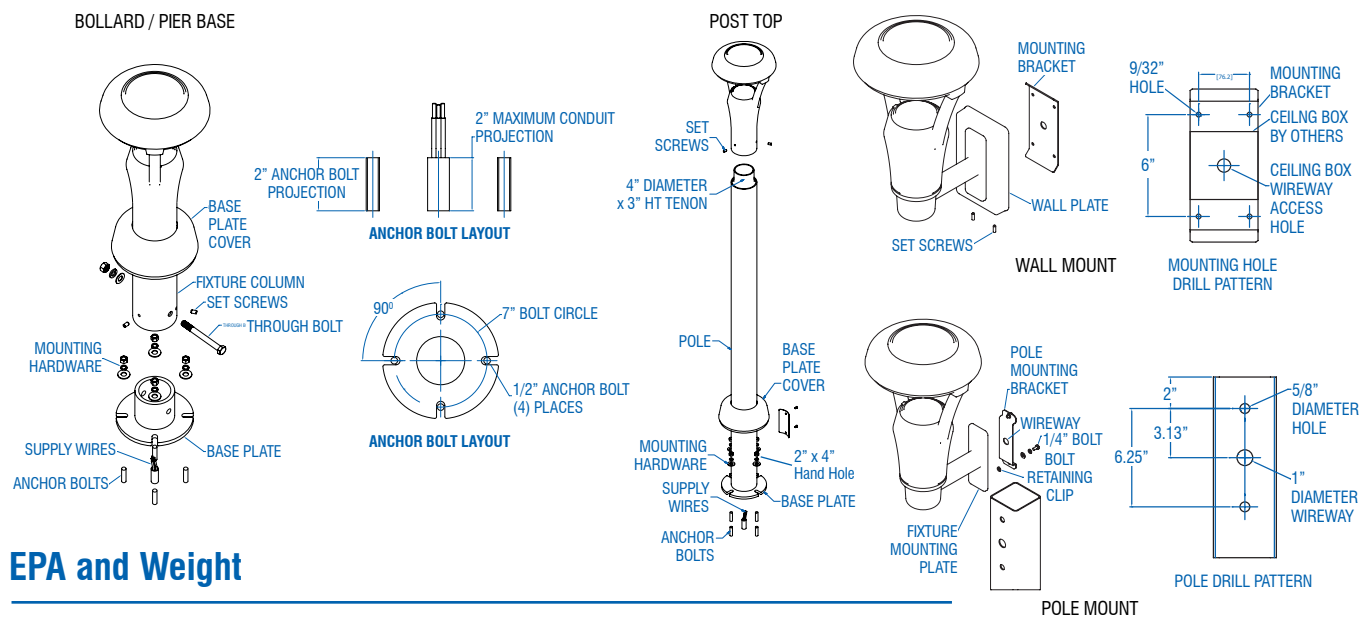
MODEL #	T2 DELIVERED LUMENS	EFFICACY (LPW)	T3 DELIVERED LUMENS	EFFICACY (LPW)	T3R DELIVERED LUMENS	EFFICACY (LPW)	T4 DELIVERED LUMENS	EFFICACY (LPW)	T5 DELIVERED LUMENS	EFFICACY (LPW)	WATTAGE
26L27T_-MD_03	1735	57.0	1730	57.0	1860	62.0	1930	64.0	1960	65.0	30
26L35T_-MD_03	1975	65.0	1975	65.0	2120	70.0	2205	73.0	2235	74.0	30
26L45T_-MD_03	2105	70.0	2105	70.0	2260	75.0	2345	78.0	2385	79.0	30
26L27T_-MD_05	2365	53.0	2340	53.0	2485	56.0	2610	59.0	2665	60.0	44
26L35T_-MD_05	2700	61.0	2670	60.0	2835	64.0	2980	67.0	3040	69.0	44
26L45T_-MD_05	2875	65.0	2845	64.0	3020	68.0	3175	72.0	3240	73.0	44
26L27T_-MD_07	2800	50.0	2780	50.0	2930	53.0	3075	55.0	3160	57.0	55
26L35T_-MD_07	3195	58.0	3170	57.0	3340	60.0	3505	63.0	3605	65.0	55
26L45T_-MD_07	3405	61.0	3375	61.0	3560	64.0	3735	67.0	3840	69.0	55

Product Dimensions & Features

Other Options



Mounting Configurations

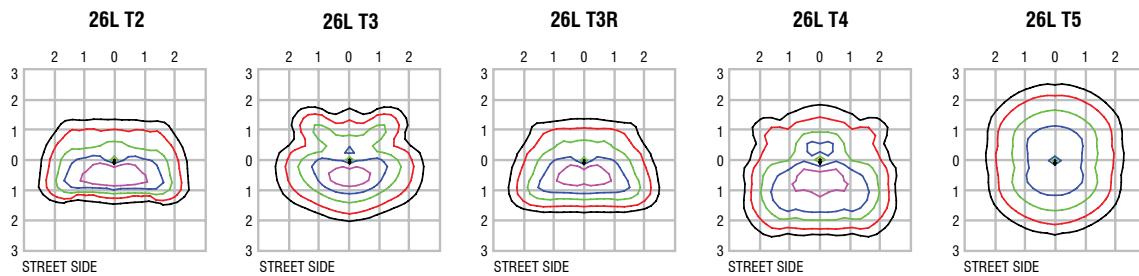


EPA and Weight

SL360	EPA	WT
BL	1.5 SQ. FT.	28.6 LBS. (3 FT. HT.)
PB	1.2 SQ. FT.	25.3 LBS.
PM	0.7 SQ. FT.	20.3 LBS.

SL360	EPA	WT
PT	0.7 SQ. FT.	18.5 LBS. (FIXTURE ONLY)
WM	0.8 SQ. FT.	22.9 LBS.

ISO Footcandle Plots



All published luminaire photometric testing performed to IESNA LM-79 standards by NVLAP certified laboratory. ISO footcandle plots demonstrate the SOLANA® SL360 light patterns only. Not for total fixture output. For complete specifications and IES files, see website.

