



SOLANA® SL302

The Solana® SL302 Series Bollard is perfectly matched to the Solana pole, and wall mount product family. Curved lines and subtle shape give the Solana family the ability to bring harmony to contemporary projects. The unique double head design offers a wide range of light distribution options and intensities that will fit any site or architecture.



PROJECT: _____

TYPE: _____

HOW TO ORDER: 3-SL302-FG-56L45T5-MDL05-PEC-FHD / UBKT

SL302										
Height (H) FT	SERIES	LENS	NO. OF LEDS	COLOR TEMP K	DISTRIBUTION TYPE	DRIVER	BUTTON PHOTOCELL	DUAL FUSE & HOLDER	COLOR	
3	Outdoor Ground Mounted Luminaire	FG	28L	35(00) K	T3	MDL03	OPTIONS		UBKT	UBK
4		FFG	56L	45(00) K	T5	MDL05	PEC	FHD	UBT	UB
5		CA		62(00) K		MDH03			ULBT	ULB
6						MDH05			USLT	USL
7									UWHT	UWH
8									UCHS	

Product Specs

Optical

- IP65 rated optic module with BUG rating of B2U1G2.
- Available in IES Type 3 and 5 distributions.
- Utilizes high output, high brightness LEDs.
- Operates at -40°C (-40°F) to +50°C (122°F) ambient air temperature range.
- Typical CRI of 70, CCT 3500, 4500 and 6200K. Call factory for custom CCT.
- LM-79 and LM-80 tests in accordance with IESNA standards.
- Lumen depreciation rating L70>150,000 hrs. projected per TM-21 guideline using 525mA drive at 25°C ambient.
- RoHS Compliant.

Electrical

- 120-277 volt and 347-480 volt available.
- Minimum driver power factor: >0.9.
- Electrical surge protection in accordance with IEEE/ANSI C62.41.2 guidelines.
- UL or ETL listed in U.S. and Canada.

Mechanical

- Complete cast aluminum housing.
- AAD™ "Advanced Air-flow Dynamics" maximizes heat sink expulsion.

Controls

- Optional electronic button photocell: PEC (120-277V).

Finish

- Durable, color retentive powder coat finish.

Warranty & Standards

LED Systems and Drivers - 7 years.
All fixtures shall be free from all defects in materials and workmanship for a period of 7 years from the date of manufacture. The luminaire manufacturer shall warrant the LED boards/ system, during the stated warranty period, against failure defined as more than 10 percent of non-operating LEDs.

Drivers (0-10V dimming):

- MDL03:** 350mA, 120-277V
- MDL05:** 525mA, 120-277V
- MDH03:** 350mA, 347-480V
- MDH05:** 525mA, 347-480V

Lens:

- FG** - Anti-Reflectance Flat Glass
- FFG** - Frosted Flat Glass
- CA** - Clear Flat Acrylic

EPA: 1.9 Square Feet (H=3FT)

Weight: 47 LBS (H=3FT)

Colors:

- UBKT** - Urban Black Textured
- UBT** - Urban Bronze Textured
- ULBT** - Urban Light Bronze Textured
- USLT** - Urban Silver Textured
- UWHT** - Urban White Textured
- UCHS** - Urban Champagne Satin Smooth
- UBK** - Urban Black Matte
- UB** - Urban Bronze Matte
- ULB** - Urban Light Bronze Matte
- USL** - Urban Silver Matte
- UWH** - Urban White Matte

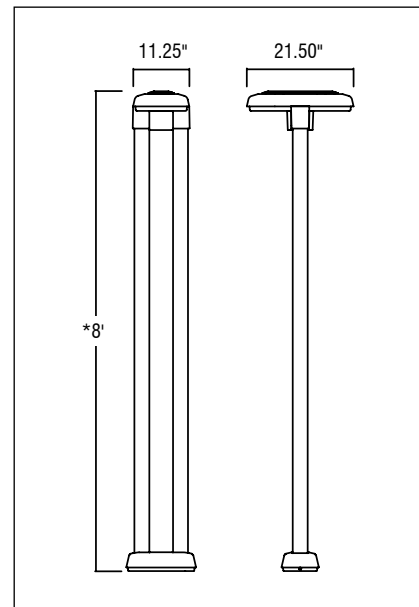
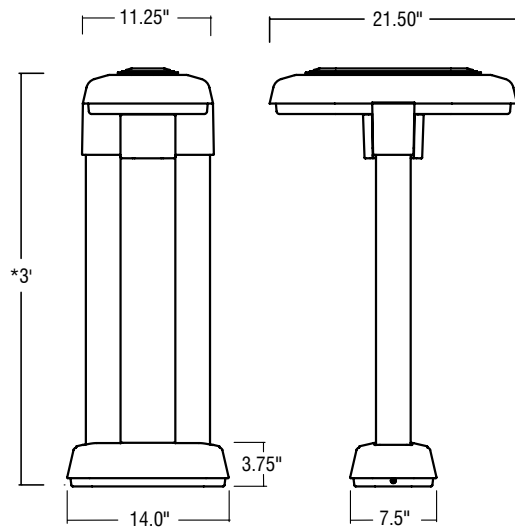
Performance (Based on FG Lens)

MODEL #	T3 DELIVERED LUMENS	EFFICACY (LPW)	T5 DELIVERED LUMENS	EFFICACY (LPW)	WATTAGE
28L35T_-MD_03	2221	67.0	2037	61.0	33
28L45T_-MD_03	2363	71.0	2167	65.0	33
28L62T_-MD_03	2527	76.0	2371	71.0	33
28L35T_-MD_05	3020	58.0	2781	53.0	52
28L45T_-MD_05	3213	61.0	2958	56.0	52
28L62T_-MD_05	3435	66.0	3163	60.0	52
56L35T_-MD_03	4265	65.0	3781	58.0	65
56L45T_-MD_03	4537	69.5	4022	61.7	65
56L62T_-MD_03	4851	74.0	4300	66.0	65
56L35T_-MD_05	5762	58.0	5115	52.0	98
56L45T_-MD_05	6130	62.6	5442	55.4	98
56L62T_-MD_05	6554	66.0	5819	59.0	98

Product Dimensions and Features

EPA: 1.9 SQUARE FT (H=3FT)

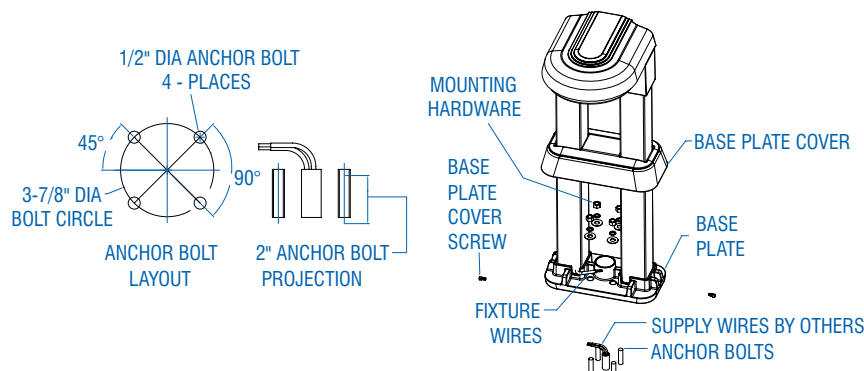
Weight: 47 LBS (H=3FT)



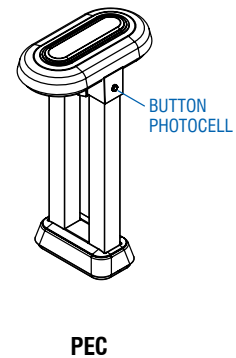
SL302

*See HOW TO ORDER chart for Height (H) options

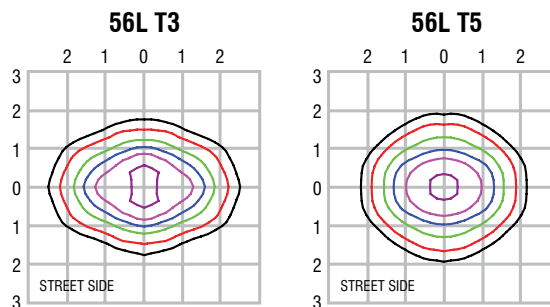
Mounting Configurations



Other Options



ISO Footcandle Plots



All published luminaire photometric testing performed to IESNA LM-79 standards by NVLAP, certified laboratory. ISO footcandle plots above demonstrate the SOLANA® SL302 light patterns only. Not for total fixture output. For complete specifications and IES files, see website.