



# SOLANA® SL300

The Solana® SL300 Series Bollard is perfectly matched to the Solana pole, and wall mount product family. Curved lines and subtle shape give the Solana family the ability to bring harmony to contemporary projects. The unique single head design offers a wide range of light distribution options and intensities that will fit any site or architecture.

PROJECT: \_\_\_\_\_

TYPE: \_\_\_\_\_

## HOW TO ORDER: 3-SL300-FG-28L45T5-F-MDL05-PEC-FHD / UBKT

SL300											
Height (H) FT	SERIES	LENS	NO. OF LEDS	COLOR TEMP K	DISTRIBUTION TYPE	DISTRIBUTION ORIENTATION	DRIVER	BUTTON PHOTO-CELL	DUAL FUSE & HOLDER	COLOR	
3	Outdoor Ground Mounted Luminaire	FG	14L	35(00) K	T3	F	MDL03	OPTIONS		UBKT	UBK
4		FFG	28L	45(00) K	T5		MDL05	PEC	FHD	UBT	UB
5		CA		62(00) K			MDH03			ULBT	ULB
6							MDH05			USLT	USL
7										UWHT	UWH
8										UCHS	

## Product Specs

### Optical

- IP65 rated optic module with BUG rating of B2U1G2.
- Available in IES Type 3 and 5 distributions.
- Utilizes high output, high brightness LEDs.
- Operates at -40°C (-40°F) to +50°C (122°F) ambient air temperature range.
- Typical CRI of 70, CCT 3500, 4500 and 6200K. Call factory for custom CCT.
- LM-79 and LM-80 tests in accordance with IESNA standards.
- Lumen depreciation rating L70 > 150,000 hrs. projected per TM-21 guideline using 525mA drive at 25°C ambient.
- RoHS Compliant.

### Electrical

- 120-277 volt and 347-480 volt available.
- Minimum driver power factor: >0.9.
- Electrical surge protection in accordance with IEEE/ANSI C62.41.2 guidelines.
- UL or ETL listed in U.S. and Canada.

### Mechanical

- Complete cast aluminum housing.
- AAD™ "Advanced Air-flow Dynamics" maximizes heat sink expulsion.

### Controls

- Optional electronic button photocell: PEC (120-277V).

### Finish

- Durable, color retentive powder coat finish.

### Warranty & Standards

LED Systems and Drivers - 7 years.  
All fixtures shall be free from all defects in materials and workmanship for a period of 7 years from the date of manufacture. The luminaire manufacturer shall warrant the LED boards/ system, during the stated warranty period, against failure defined as more than 10 percent of non-operating LEDs.

### Drivers (0-10V dimming):

- MDL03:** 350mA, 120-277V
- MDL05:** 525mA, 120-277V
- MDH03:** 350mA, 347-480V
- MDH05:** 525mA, 347-480V

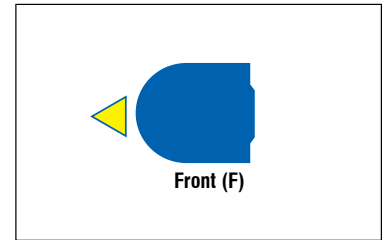
### Lens:

- FG** - Anti-Reflectance Flat Glass
- FFG** - Frosted Flat Glass
- CA** - Clear Flat Acrylic

**EPA:** 1.9 Square Feet (H=3FT)

**Weight:** 40 LBS (H=3FT)

### Distribution Orientation:



### Colors:

- UBKT** - Urban Black Textured
- UBT** - Urban Bronze Textured
- ULBT** - Urban Light Bronze Textured
- USLT** - Urban Silver Textured
- UWHT** - Urban White Textured
- UCHS** - Urban Champagne Satin Smooth
- UBK** - Urban Black Matte
- UB** - Urban Bronze Matte
- ULB** - Urban Light Bronze Matte
- USL** - Urban Silver Matte
- UWH** - Urban White Matte

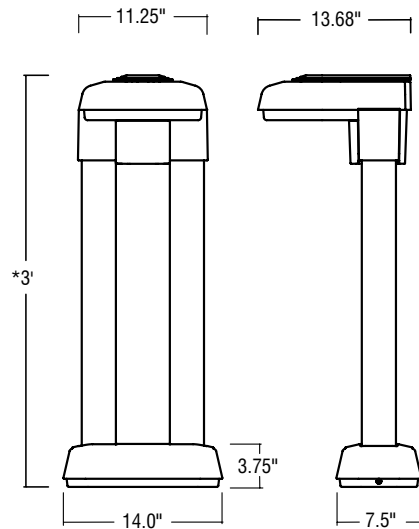
## Performance (Based on FG Lens)

MODEL #	T3 DELIVERED LUMENS	EFFICACY (LPW)	T5 DELIVERED LUMENS	EFFICACY (LPW)	WATTAGE
14L35T_-MD_03	1158	68.0	1008	59.0	17
14L45T_-MD_03	1232	72.0	1310	77.0	17
14L62T_-MD_03	1317	77.0	1401	82.0	17
14L35T_-MD_05	1530	58.0	1341	51.0	26
14L45T_-MD_05	1628	62.0	1743	67.0	26
14L62T_-MD_05	1741	66.0	1863	71.0	26
28L35T_-MD_03	2125	64.0	1931	58.0	33
28L45T_-MD_03	2261	68.5	2054	62.0	33
28L62T_-MD_03	2418	73.0	2196	66.0	33
28L35T_-MD_05	2890	55.0	2625	50.0	52
28L45T_-MD_05	3074	59.9	2793	54.4	52
28L62T_-MD_05	3287	63.0	2986	57.0	52

# Product Dimensions and Features

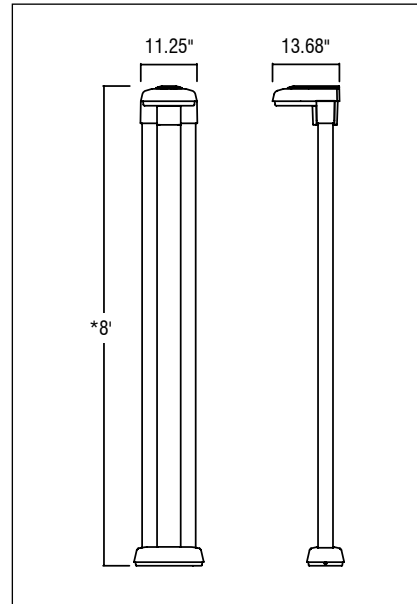
EPA: 1.9 SQUARE FT (H=3FT)

Weight: 40 LBS (H=3FT)

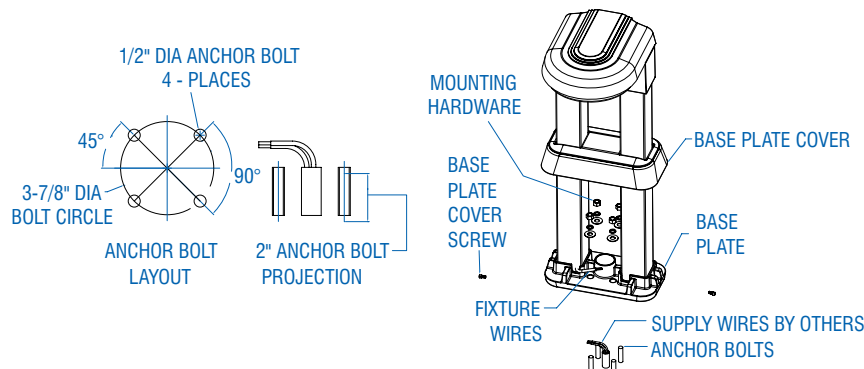


**SL300**

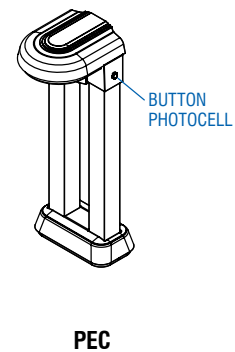
\*See HOW TO ORDER chart for Height (H) options



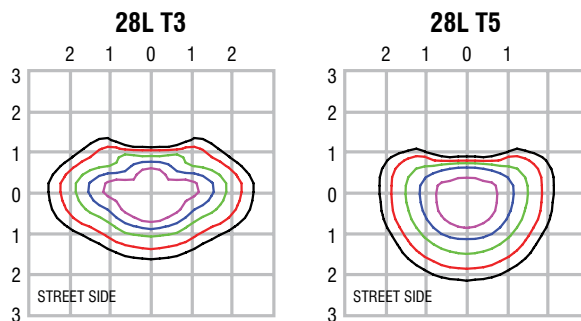
## Mounting Configurations



## Other Options



## ISO Footcandle Plots



All published luminaire photometric testing performed to IESNA LM-79 standards by NVLAP, certified laboratory. ISO footcandle plots above demonstrate the SOLANA® SL300 light patterns only. Not for total fixture output. For complete specifications and IES files, see website.