

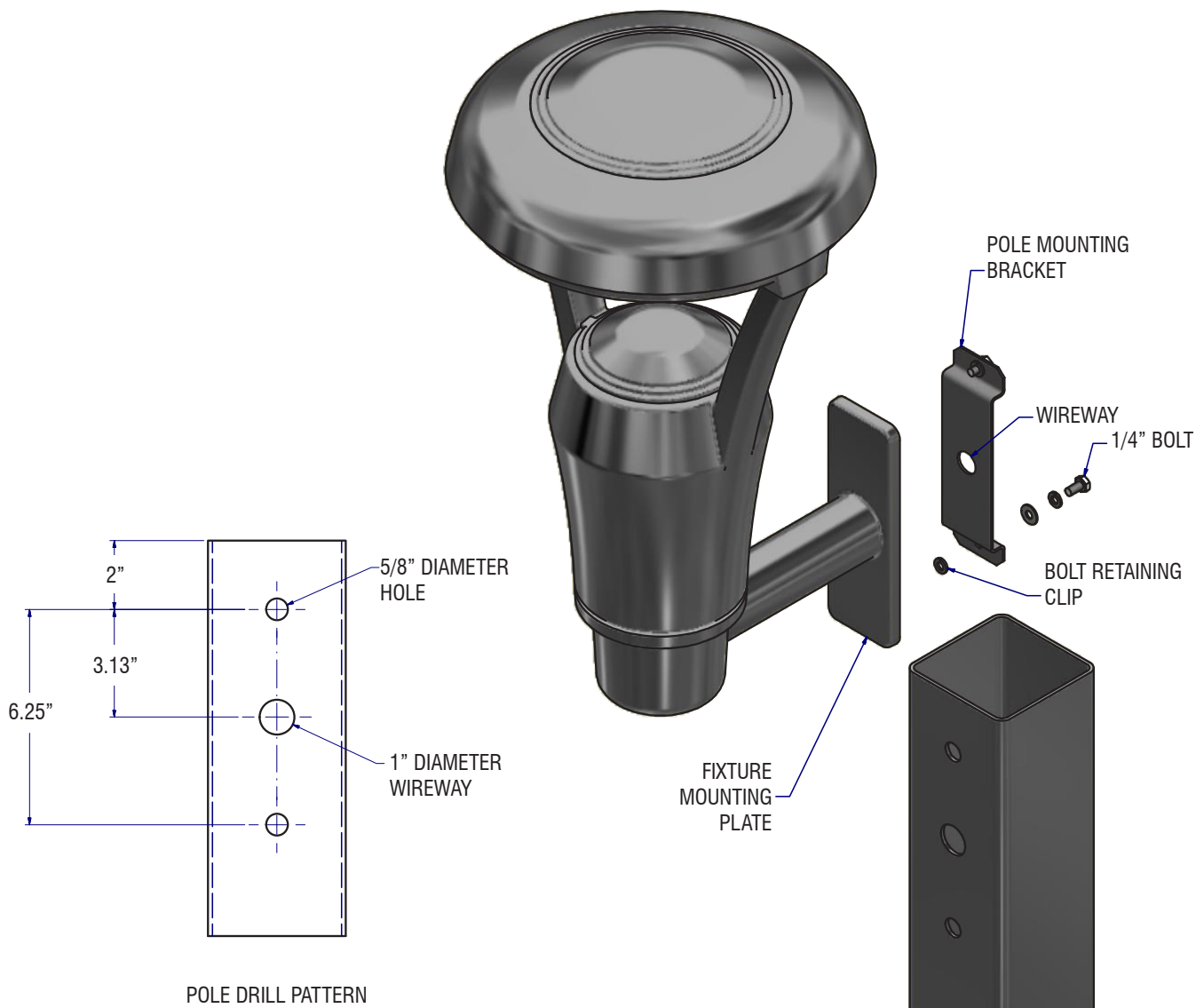
SL360 BOLLARD POLE MOUNT

INSTALLATION INSTRUCTIONS

WARNING: TO AVOID FIRE, SHOCK OR DEATH, TURN OFF AND LOCKOUT POWER BEFORE PERFORMING ANY MAINTENANCE.

CAUTION: THIS FIXTURE MUST BE WIRED IN ACCORDANCE WITH THE NATIONAL ELECTRIC CODE AND ALL APPLICABLE LOCAL CODES. PROPER GROUNDING IS REQUIRED. ALL WORK SHOULD BE DONE BY A QUALIFIED ELECTRICIAN.

1. Pull the fixture wires through wireway hole in pole and the pole mounting bracket.
2. Insert fixture mounting plate into the 5/8" diameter holes in the pole. From the inside of the pole secure pole mounting bracket to the fixture mounting plate with the two 1/4" bolts provided.
3. Make the electrical connection between the fixture and supply wires.



SternbergLighting

ESTABLISHED 1923 / EMPLOYEE OWNED

800-621-3376
555 Lawrence Ave., Roselle, IL 60172
info@sternberglighting.com
www.sternberglighting.com