



S640LED SEVILLE SERIES

LED

EPA
2.5 (ft²)
WEIGHT
25 LBS

7 YEAR
WARRANTY

LUMEN
RANGE
3,550 to
6,355

LIFE SPAN
L70
MINIMUM
100,000
HOURS

UL
LISTED

CLICK
FOR FAQ's

JOB NAME _____

FIXTURE TYPE _____

MEMO _____

BUILD A PART NUMBER

ORDERING EXAMPLE: **2A-S640LED-SF-IL40T3-MDL10-SV1.5-R-PE/480PM/3610FP4/SCC/BKT**

Mounting Config.	Fixture	Fitter	LED	CCT	Type	Driver	Lens	Option Control Receptacle	Option Control	Option Fuse	Option Internal Lens	Option Hang-straight	Option House Side Shield	Option Fitial	Arm See Arm Spec Sheets	Pole See Pole Spec Sheets	Finish

Mounting Configuration

(Click here to link to mounting configuration specification page)

- 1W • 2A90 • 4A • SH44¹
- PT • 2APT • 4APT • CH44¹
- 1A • 3A • 1AM
- 1APT • 3A90 • 2AM
- 2A • 3APT • 44PB

W = Wall Mount PT = Post Top A = Arm Mount AM = Arm Mid-Mount PB = Pier Base SH = Stem Hung CH = Chain Hung

¹ Include overall drop length in inches after designation for stem/chain application (IE: CH44 - 48")

Fixture

- S640LED • S640LEDH²

² Not for use with PT or PB mounting configuration.

Fitter³

- SF (Standard Fitter)
- FB (Frog Base Fitter)

³ Not for use with S640LEDH unit.

LED

- IL

CCT - Color Temperature (K)

- 27(00) • 30(00) • 40(00) • 50(00)

Type

- T2 • T3 • T4 • T5

Driver

- MDL07 (120v-277v, 700mA)
- MDL10 (120v-277v, 1050mA)
- MDH07 (347v-480v, 700mA)
- MDH10 (347v-480v, 1050mA)

Lens (Click here to link to lens option specification page)

- CSA (Clear Seeded Acrylic)
- CTA (Clear Textured Acrylic)
- SV1 (Flat Soft Vue Light Diffused Acrylic)
- SV1.5 (Flat Soft Vue Medium Diffuse Acrylic)
- SV2 (Flat Soft Vue Moderate Diffused Acrylic)
- SV4 (Flat Soft Vue Maximum Diffused Acrylic)

Options (Click here to view accessories sheet)

- R⁴ 3-Pin control receptacle only
- R5⁴ 5-Pin control receptacle only
- R7⁴ 7-Pin control receptacle only

- PE⁵ Twist-Lock Photocontrol (120v-277v)
- PE3⁵ Twist-Lock Photocontrol (347v)
- PE4⁵ Twist-Lock Photocontrol (480v)
- SC⁵ Shorting Cap
- FHD⁶ Double Fuse and Hold
- SVDI Soft Vue Medium Diffuse, Internal Dome Lens
- SVD2 Soft Vue Heavy Diffuse, Internal Dome Lens
- HSHS⁷ Standard Horizontal Hangstraight, Spike Fitial
- HSHN⁷ Standard Horizontal Hangstraight, No Fitial
- HSHB⁷ Standard Horizontal Hangstraight, Ball Fitial
- EZ⁷ Vertical Hangstraight, Large, "EZ" Mount
- HSV⁷ Vertical Hangstraight, Standard
- HSS 90° House Side Shield (Single Lens Panel)
- B⁸ Ball Fitial
- S⁸ Spike Fitial
- CUP⁸ Cast Cupola Fitial

⁴ Not for use with FINIAL, EZ or HSV.

⁵ Requires control receptacle.

⁶ Ships loose for installation in base.

⁷ Not for use with PT, AM, PB, SH or CH mounting configuration.

⁸ Not for use with S640LEDH.

Arm (Click here to link to arm specification page)

See Arms & Wall Brackets specification sheets.

- 480 • 6236 • TA • 779

Pole (Click here to link to pole specification page)

See Pole specification sheets.

Finish (Click here to view paint finish sheet)

Standard Finishes⁹

- BKT Black Textured
- WHT White Textured
- PGT Park Green Textured
- ABZT Architectural Medium Bronze Textured
- DBT Dark Bronze Textured

⁹ Smooth finishes are available upon request.

Custom Finishes¹⁰

- CM Custom Match
- OI Old Iron
- RT Rust
- WBR Weathered Brown
- CD Cedar
- WBK Weathered Black
- TT Two Tone

¹⁰ Custom colors require upcharge.

Sternberg Select Finishes

- VG Verde Green
- SI Swedish Iron
- OWGT Old World Gray Textured

Specifications

Fixture

The Seville is a medium scale 4 sided traditional lantern. The luminaire shall be made of heavy wall cast aluminum alloy. The luminaire shall be provided with a cast aluminum roof with integral heat sync to provide maximum life and performance for the LED light source. The S640LEDH version includes a lensed bottom for more efficient light output. The Luminaire shall be UL listed in US and Canada.

Fitter

The fitter or base shall be heavy wall cast aluminum, alloy for high tensile strength. The fitter shall have an inside diameter opening to accept a 3" diameter pole or tenon. The Standard fitter fits a pole or tenon with a height ranging from 3" to 5". The Frog Base fitter fits a 3" tall pole or tenon.

LED's

The luminaire shall use high output, high brightness LED's, consisting of a two piece assembly complete with Chip on Board (COB) LED component and COB holder frame. The LED's and printed circuit boards shall be 100% recyclable; they shall also be protected from moisture and corrosion by a conformal coating of 1 to 3 mils. They shall not contain lead, mercury or any other hazardous substances and shall be RoHS compliant. The LED life rating data shall be determined in accordance with IESNA LM-80. The High Performance white LED's will have a life expectancy of approximately 100,000 hours with not less than 70% of original brightness (lumen maintenance), rated at 25°C. The High Brightness, High Output LED's shall be 4000K (3000K or 5000K option) color temperature with a minimum of 70 CRI. Consult factory for custom color CCT.

See next page

S640LED SEVILLE SERIES

LED

The luminaire shall have a minimum _____ (see table) delivered initial lumen rating when operated at steady state with an average ambient temperature of 25°C (77°F).

Optics

The luminaire shall be provided with individual, molded silicone refractor type optics applied to each COB (Chip On Board) LED assembly. The optic shall be at least 92% efficient while providing superior thermal, UV and impact resistance for the COB assembly. The optic ensures precise light control while providing cutoff control that limits or contains up-light. The luminaire shall provide Type ____ (2, 3, 4 or 5) light distribution per the IESNA classifications. Testing shall be done in accordance with IESNA LM-79.

Electronic Driver

The LED driver shall be U.L. Recognized. It shall be securely mounted inside the fixture, for optimized performance and longevity. It shall be supplied with a quick-disconnect electrical connector on the power supply, providing easy power connections and fixture installation. It shall have overload, overheat and short circuit protection, and have a DC voltage output, constant current design, 50/60HZ. It shall be supplied with line-ground, line-neutral and neutral-ground electrical surge protection in accordance with IEEE/ANSI C62.41.2 guidelines. It shall be a high efficiency driver with a THD less than 20% and a high power factor greater than .9. It shall be dimming capable using a 0-10v signal, consult factory for more information.

Photocontrols

Twist-Lock Style: The photocontrol shall be mounted externally on the fixture and pre-wired to driver. The twist lock type photocontrol is instant on with a 3-6 second turn off, and shall turn on at 1.5 footcandles with a turn-off at 2-3 footcandles. Photocontrol is 120-277 volt and warranted for 6 years.

Warranty

Seven-year limited warranty. See product and finish warranty guide for details.

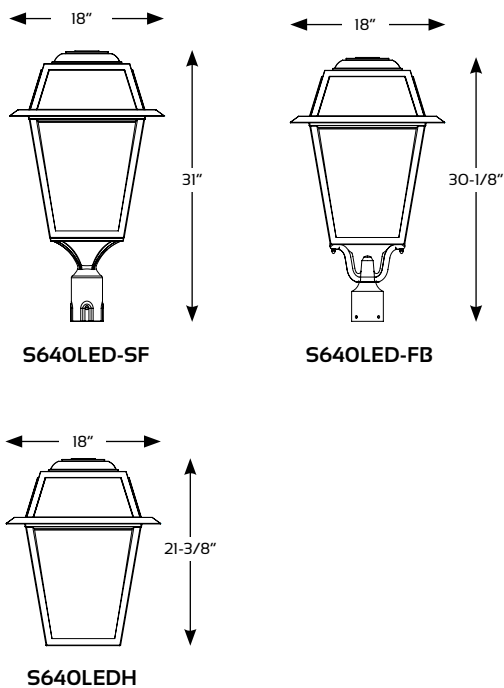
Finish

Refer to website for details.

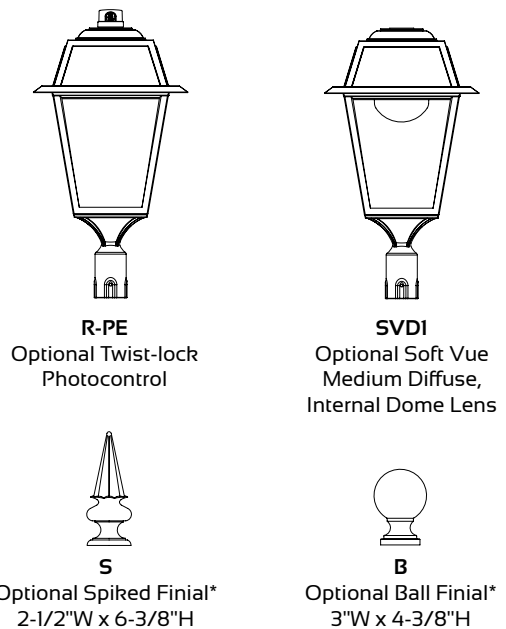
Performance

MODEL #	T3 DELIVERED LUMENS	EFFICACY (LPW)	T4 DELIVERED LUMENS	EFFICACY (LPW)	T5 DELIVERED LUMENS	EFFICACY (LPW)	WATTAGE
1L27T_-MD_10	5085	86.2	4910	83.2	5465	92.6	59
1L30T_-MD_10	5735	97.2	5535	93.8	6165	104.5	59
1L40T_-MD_10	5915	100.3	5710	96.8	6355	107.7	59
1L27T_-MD_07	3680	92.0	3550	88.8	3940	98.5	40
1L30T_-MD_07	4155	103.9	4005	100.1	4445	111.1	40
1L40T_-MD_07	4280	107.0	4130	103.3	4585	114.6	40

Fixtures



Options



* Only available with PT and AM mounting