



S640-XRLED SEVILLE SERIES

LED

EPA
2.85 (ft²)
WEIGHT
27 LBS

5 YEAR
WARRANTY

LUMEN
RANGE
1,330 to
5,455

LIFE SPAN
L70
MINIMUM
50,000
HOURS

UL
LISTED

CLICK
FOR FAQ's

JOB NAME _____

FIXTURE TYPE _____

MEMO _____

BUILD A PART NUMBER

ORDERING EXAMPLE: **2A-S640-XRLED-9L45T5-MDL14-SVI-FHD/48OPM/3412FP4/BKT**

Mounting Config.	Fixture	LED	CCT	Type	Driver	Lens	Option Roof Finial	Option Control Receptacle	Option Control	Option Fuse	Option House Side Shield	Arm <small>See Arm Spec Sheets</small>	Pole <small>See Pole Spec Sheets</small>	Finish

Mounting Configuration

[\(Click here to view mounting configuration sheet\)](#)

- 1W • 2A90 • 4A
- PT • 2APT • 4APT
- 1A • 3A • 1AM
- 1APT • 3A90 • 2AM
- 2A • 3APT • 45OPB

W = Wall Mount PT = Post Top APT = Post Top Arm Mid-Mount
A = Arm Mount AM = Arm Mid-Mount PB = Pier Base

Fixture

- S640

LED

- XRLED-9L • XRLED-12L

CCT - Color Temperature

- 45(00) • 35(00) • 27(00)

Type

- T2 • T3 • T4 • T5

Driver

- MDL07 (120v-277v, 700mA)¹
- MDL14 (120v-277v, 1400mA)
- MDH07 (347v-480v, 700mA)¹
- MDH14 (347v-480v, 1400mA)

¹For use with 9L system only.

Lens [\(Click here to link to lens option specification page\)](#)

- SVI • SV2 • CSA • CTA
- FA • PA • WA

Options [\(Click here to link to view accessories sheet\)](#)

- CUP Cupola finial on roof
- CUPS Cupola finial with spike on roof
- R² 3-Pin control receptacle only
- R5² 5-Pin control receptacle only
- R7² 7-Pin control receptacle only
- PE³ Twist-Lock Photocontrol (120v-277v)
- PE3³ Twist-Lock Photocontrol (347v)
- PE4³ Twist-Lock Photocontrol (480v)
- SC³ Shorting Cap

- FHD⁴ Double Fuse and Holder
- HSS 120° House Side Shield

²Mounted on roof, not for use with "CUP" or "CUPS" option.

³Requires control receptacle.

⁴Ships loose for installation in base.

Arm [\(Click here to link to arm specification page\)](#)

See Arms & Wall Brackets specification sheets.

- 478 • 55L • 579 • TASCRA • 80
- 480 • 6236 • TA • 78

Pole [\(Click here to link to pole specification page\)](#)

See Pole specification sheets.

Finish [\(Click here to view paint finish sheet\)](#)

Standard Finishes⁵

- BKT Black Textured
- WHT White Textured
- PGT Park Green Textured
- ABZT Architectural Medium Bronze Textured
- DBT Dark Bronze Textured

⁵Smooth finishes are available upon request

Custom Finishes⁶

- CM Custom Match
- OI Old Iron
- RT Rust
- WBR Weathered Brown
- CD Cedar
- WBK Weathered Black
- TT Two Tone

⁶Custom colors require upcharge.

Sternberg Select Finishes

- VG Verde Green
- SI Swedish Iron
- OWGT Old World Gray Textured

Specifications

Fixture

The S640-XRLED Seville series is a large scale, colonial styled fixture featuring a tapered four-sided cage and roof. The traditional "frog base" slipfitter slips a 3" OD x 3" tall tenon. The Luminaire shall be UL listed in US and Canada.

LED's

The luminaire shall use high output, high brightness LED's. They shall be mounted in arrays, on printed circuit boards designed to maximize heat transfer to the heat sink surface. The arrays shall be downward facing to minimize up-light. The LED's and printed circuit boards shall be 100% recyclable, they shall also be protected from moisture and corrosion by a conformal coating of 1 to 3 mils. They shall not contain lead, mercury or any other hazardous substances and shall be RoHS compliant. The LED life rating data shall be determined in accordance with IESNA LM-80. They shall operate in a -40°C (-40°F) to +50°C (122°F) ambient air temperature range. The High Performance white LED's will have a life expectancy of approximately 50,000 hours with not less than 70% of original brightness (lumen maintenance), rated at 25°C. The High Brightness, High Output LED's shall be 4500K (3500K or 2700K option) color temperature with a minimum CRI of 70. Consult factory for custom color CCT. The luminaire shall have a minimum _____ (see table) delivered initial lumen rating when operated at steady state with an average ambient temperature of 25°C (77°F).

Optics

The luminaire shall be provided with individual, refractor type optics applied to each LED. The luminaire shall provide Type ____ (2, 3, 4 or 5) light distribution per the IESNA classifications. Testing shall be done in accordance with IESNA LM-79.

Electronic Driver

The LED driver shall be U.L. Recognized. It shall be securely mounted inside the fixture, for optimized performance and longevity. It shall be supplied with a quick-disconnect electrical connector on the power supply, providing easy power connections and fixture installation. It shall have overload as well as short circuit protection, and have a DC voltage output, constant current design, 50/60HZ.

See next page

S640-XRLED SEVILLE SERIES

LED

It shall be supplied with line-ground, line-neutral and neutral-ground electrical surge protection in accordance with IEEE/ANSI C62.41.2 guidelines. It shall be dimmable using a 0-10v signal. The driver shall have a minimum efficiency of 88%.

Photocontrols

Twist-Lock Style: The photocontrol shall be mounted externally on the fixture and pre-wired to driver. The twist lock type photocontrol is instant on with a 3-6 second turn off, and shall turn on at 1.5 footcandles with a turn-off at 2-3 footcandles. Photocontrol is 120-277 volt and warranted for 6 years.

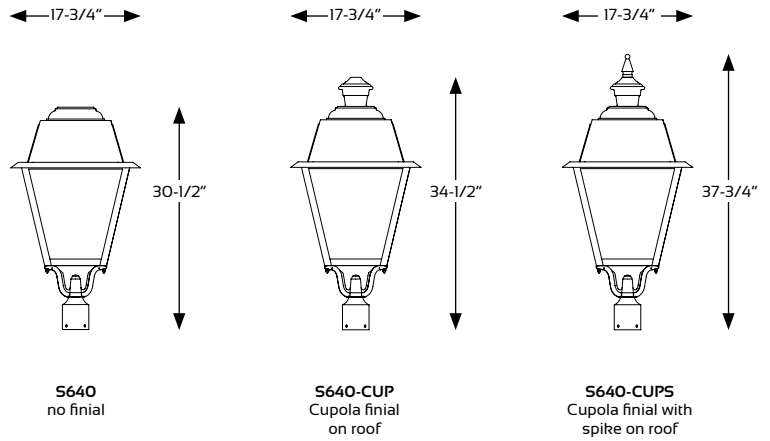
Warranty

Five-year limited warranty. See product and finish warranty guide for details.

Finish

Refer to website for details.

Fixture Examples



Fitters

LIGHT SOURCE	T2 DELIVERED LUMENS	EFFICACY (LPW)	T3 DELIVERED LUMENS	EFFICACY (LPW)	T4 DELIVERED LUMENS	EFFICACY (LPW)	T5 DELIVERED LUMENS	EFFICACY (LPW)	WATTAGE
12L27T_-MDL14	4015	66.9	3785	63.1	3890	64.8	4310	71.8	60
12L35T_-MDL14	4725	78.8	4460	74.3	4580	76.3	5070	84.5	60
12L45T_-MDL14	5085	84.8	4795	79.9	4925	82.1	5455	90.9	60
9L27T_-MDL14	2850	62.0	2725	59.3	2465	53.6	3000	65.3	46
9L35T_-MDL14	3355	72.9	3205	69.8	2900	63.1	3535	76.8	46
9L45T_-MDL14	3605	78.4	3450	75.0	3120	67.9	3800	82.6	46
9L27T_-MDL07	1635	74.5	1500	68.3	1330	60.7	1710	77.7	22
9L35T_-MDL07	1930	87.7	1770	80.4	1570	71.4	2010	91.5	22
9L45T_-MDL07	2075	94.3	1900	86.5	1685	76.8	2160	98.4	22