



S540-XRLED SEVILLE SERIES

LED

EPA
1.05 (ft²)
WEIGHT
24 LBS

5 YEAR
WARRANTY

LUMEN
RANGE
1,345 to
5,680

LIFE SPAN
L70
MINIMUM
50,000
HOURS

UL
LISTED

CLICK
FOR FAQ's

JOB NAME _____

FIXTURE TYPE _____

MEMO _____

BUILD A PART NUMBER

ORDERING EXAMPLE: **2A-S540-XRLED-9L45T5-MDL07-CSA-FHD/49IPM/1610TFP5/BKT**

Mounting Config.	Fixture	LED	CCT	Type	Driver	Lens	Option Fuse	Option Chimney	Option House Side Shield	Arm See Arm Spec Sheets	Pole See Pole Spec Sheets	Finish

Mounting Configuration

(Click here to view mounting configuration sheet)

- 1W • 2APT • 1AM • CH44¹
- PT • 3A • 2AM • SH27¹
- 1A • 3A90 • PB27 • CH27¹
- 1APT • 3APT • PB28
- 2A • 4A • PB44
- 2A90 • 4APT • SH44¹

W = Wall Mount PT = Post Top APT = Post Top Arm Mid-Mount
A = Arm Mount AM = Arm Mid-Mount PB = Pier Base
SH = Stem Hung CH = Chain Hung

¹ Need Stem/Chain length in inches after designation (IECH44-36")

Fixture

- S540F • S540

LED

- XRLED-9L • XRLED-12L

CCT - Color Temperature (K)

- 45(00) • 35(00) • 27(00)

Type

- T2 • T3 • T4 • T5

Driver

- MDL07 (120v-277v, 700Ma)²
- MDL14 (120v-277v, 1400Ma)
- MDH07 (347v-480v, 700Ma)²
- MDH14 (347v-480v, 1400Ma)

² For use with 9L system only.

Lens (Click here to view lens website page)

- SV1 • CSA • PA
- SV2 • CTA • SA

Options (Click here to view accessories sheet)

- FHD³ Double Fuse and Holder
- FHC Frosted Glass Hurricane Chimney
- HSS House Side Shield

³ Ships loose for installation in base.

Arm (Click here to view arm website page)

See Arms & Wall Brackets specification sheets.

- 78 • 1082 • 1087
- 1080 • 1085 • 1090

Pole (Click here to view pole website page)

See Pole specification sheets.

Finish (Click here to view paint finish sheet)

Standard Finishes⁴

- BKT Black Textured
- WHT White Textured
- PGT Park Green Textured
- ABZT Architectural Medium Bronze Textured
- DBT Dark Bronze Textured

⁴ Smooth finishes are available upon request.

Custom Finishes⁵

- CM Custom Match
- OI Old Iron
- RT Rust
- WBR Weathered Brown
- CD CeWdar
- WBK Weathered Black
- TT Two Tone

⁵ Custom colors require upcharge.

Sternberg Select Finishes

- VG Verde Green
- SI Swedish Iron
- OWGT Old World Gray Textured

Specifications

Fixture

The S540 fixture shall be 14" wide and the overall height shall be 29-1/4". It shall be made of heavy wall cast aluminum. The fixture shall have a four legged open base, be appointed with a cast aluminum round cupola and optional finial. The Luminaire shall be UL listed in US and Canada.

LEDs

The luminaire shall use high output, high brightness LED's. They shall be mounted in arrays, on printed circuit boards designed to maximize heat transfer to the heat sink surface. The arrays shall be downward facing to minimize up-light. The LED's and printed circuit boards shall be 100% recyclable, they shall also be protected from moisture and

corrosion by a conformal coating of 1 to 3 mils. They shall not contain lead, mercury or any other hazardous substances and shall be RoHS compliant. The LED life rating data shall be determined in accordance with IESNA LM-80. They shall operate in a -40°C (-40°F) to +50°C (122°F) ambient air temperature range. The High Performance white LED's will have a life expectancy of approximately 50,000 hours with not less than 70% of original brightness (lumen maintenance), rated at 25°C. The High Brightness, High Output LED's shall be 4500K (3500K or 2700K option) color temperature with a minimum CCT. The luminaire shall have a minimum _____ (see table) delivered initial lumen rating when operated at steady state with an average ambient temperature of 25°C (77°F).

Optics

The luminaire shall be provided with individual, refractor type optics applied to each LED. The luminaire shall provide Type ____ (2, 3, 4 or 5) light distribution per the IESNA classifications. Testing shall be done in accordance with IESNA LM-79.

Electronic Driver

The LED driver shall be U.L. Recognized. It shall be remotely mounted in the field, arm, pole or base depending on the selected options. It shall be supplied with a quick-disconnect electrical connector on the power supply, providing easy power connections and fixture installation. It shall have overload as well as short circuit protection, and have a DC voltage output, constant current design, 50/60HZ. It shall be supplied with line-ground, line-neutral and neutral-ground electrical surge protection in accordance with IEEE/ANSI C62.41.2 guidelines. It shall be dimmable using a 0-10v signal. **For sources over 50w:** The driver shall have a minimum efficiency of 90%. The driver shall be rated at full load with THD<20% and a power factor of greater than 0.90. The driver shall contain over-heat protection which reduces output to less than half rating if the case temperature reaches 85°C.

See next page

S540-XRLED SEVILLE SERIES

LED

For sources under 50w: The driver shall have a minimum efficiency of 88%.

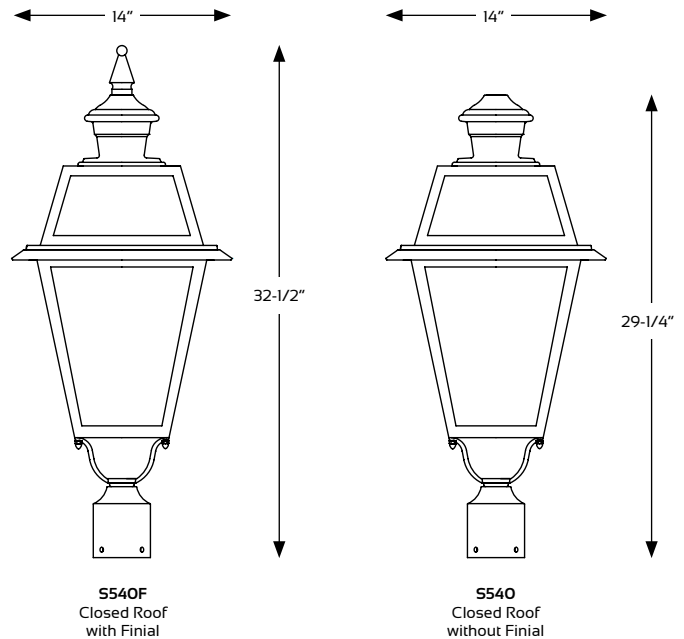
Warranty

Five-year limited warranty. See product and finish warranty guide for details.

Finish

Refer to website for details.

Fixtures



Performance

LIGHT SOURCE	T2 DELIVERED LUMENS	EFFICACY (LPW)	T3 DELIVERED LUMENS	EFFICACY (LPW)	T4 DELIVERED LUMENS	EFFICACY (LPW)	T5 DELIVERED LUMENS	EFFICACY (LPW)	WATTAGE
12L27T_-MDL14	4055	67.6	3955	65.9	4010	66.8	4490	74.8	60
12L35T_-MDL14	4775	79.6	4655	77.6	4720	78.7	5285	88.1	60
12L45T_-MDL14	5135	85.6	5005	83.4	5075	84.6	5680	94.7	60
09L27T_-MDL14	2880	60.1	2840	59.3	2540	52.9	3090	64.4	48
09L35T_-MDL14	3395	70.7	3345	69.8	2990	62.3	3640	75.9	48
09L45T_-MDL14	3650	76.1	3600	75.0	3215	67.0	3915	81.6	48
09L27T_-MDL07	1590	72.4	1570	71.4	1345	61.3	1695	77.2	22
09L35T_-MDL07	1875	85.3	1845	84.0	1585	72.1	2000	90.9	22
09L45T_-MDL07	2015	91.7	1985	90.4	1705	77.5	2150	97.8	22