



# RIALTA® RW4xx

The **RIALTA® RW4xx** luminaire is a cylindrical ground mounted luminaire designed to bring ambiance to any project by providing a performance lighting package in a vertical form. The 8" acrylic cylinder adds a one foot high luminous element with near perfect surface brightness and uniformity. The RW4xx uses a two arc LED configuration to deliver IES type 5 distributions with high efficiency and low wattage consumption. A variety of LED color temperatures are available. A choice of several popular polyester powder coat colors are also available.

**PROJECT:** \_\_\_\_\_

**TYPE:** \_\_\_\_\_

## ORDERING EXAMPLE: BL-RW442-28L45T5-MDL05-FAC-PEC/UGMT

RW4											
MOUNTING CONFIG.	SERIES	HEIGHT(H) IN.	NO. OF LEDS	COLOR TEMP K	DISTRIBUTION TYPE	DRIVER	LENS	CONTROLS	DUAL FUSE & HOLDER	COLOR	
BL	Post Top Mounted Luminaire	36	28L	27(00) K	T5	MDL03	FAC	OPTIONS		UGMT	UGM
		42		35(00) K		MDL05		PEC	FHD	UBT	UB
		48		45(00) K		MDH03		PEC4		ULBT	ULB
						MDH05				USLT	USL
										UWHT	UWH
										UCHS	BKT

BL = Bollard

## Product Specs

### Optical

- IP66 rated optic module.
- Available in IES Type 5 distribution.
- Utilizes high output, high brightness LEDs.
- Minimum of 70 CRI, CCT 2700, 3500 and 4500K. Call factory for custom CCT.
- LM-79 and LM-80 tests in accordance with IESNA standards.
- Lumen depreciation rating L70 > 100,000 hrs. projected per TM-21 guideline using 525mA drive at 25°C ambient.
- RoHS Compliant.

### Electrical

- 120-277 volt and 347-480 volt available.
- Minimum drivers power factor: > 0.9.
- Electrical surge protection in accordance with IEEE/ANSI C62.41.2 guidelines.
- UL listed in U.S. and Canada.

### Mechanical

- Cast aluminum heat sink, cylindrical lens and twist-lock housing.
- Spun aluminum heat sink cover.
- Twist-lock housing installs on 8" OD welded tenon.
- Pole door driver access and removeable driver tray.

### Controls

- Supplied with dimmable driver.
- **PEC:** Optional electronic button photocell (120v-277v).
- **PEC4:** Optional electronic button photocell (480v).

### Finish

- Durable, color retentive powder coat finish.

### Warranty & Standards

LED Systems and Drivers - 7 years.  
All fixtures shall be free from defects in materials and workmanship for a period of 7 years from the date of manufacture. The luminaire manufacturer shall warrant the LED boards/system, during the stated warranty period, against failure defined as more than 10 percent of non-operating LEDs.

### Housing

Housing shall consist of 0.188" wall extruded aluminum and A360 cast top and bottom lens retaining assemblies. Minimum height overall with shaft is 36".

### Drivers:

**MDL03:** 350mA, 120-277V  
**MDL05:** 525mA, 120-277V  
**MDH03:** 350mA, 347-480V  
**MDH05:** 525mA, 347-480V

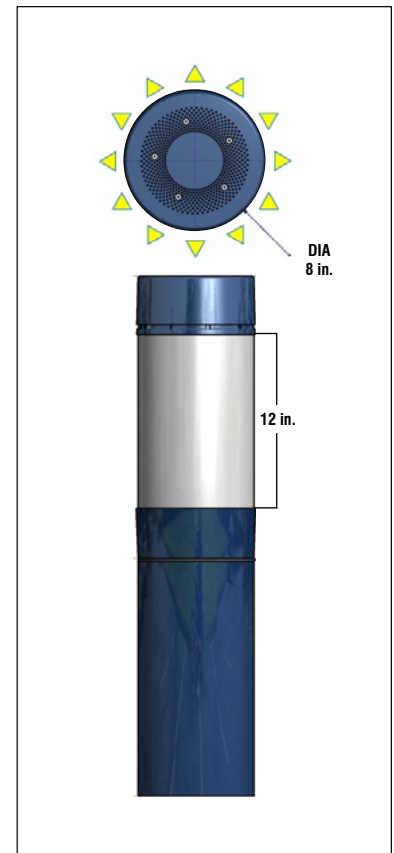
### Lens:

**FAC** - Frosted Acrylic Cylinder (12")

### Colors:

**UGMT** - Urban Gun Metal Textured  
**UBT** - Urban Bronze Textured  
**ULBT** - Urban Light Bronze Textured  
**USLT** - Urban Silver Textured  
**UWHT** - Urban White Textured  
**UCHS** - Urban Champagne Satin Smooth  
**UGM** - Urban Gun Metal Matte  
**UB** - Urban Bronze Matte  
**ULB** - Urban Light Bronze Matte  
**USL** - Urban Silver Matte  
**UWH** - Urban White Matte  
**BKT** - Black Textured

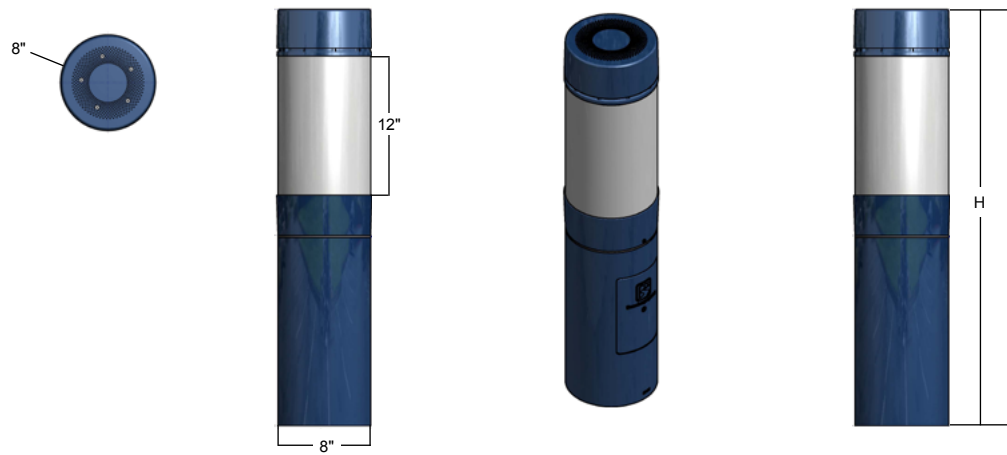
### Distribution Orientation:



## Performance

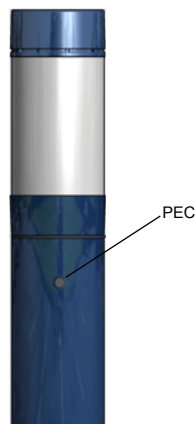
MODEL #	T5 DELIVERED LUMENS	EFFICACY (LPW)	WATTAGE
RW436-28L27T_-MD_03	2525	74.4	34
RW436-28L35T_-MD_03	2885	84.9	34
RW436-28L45T_-MD_03	3240	95.4	34
RW436-28L27T_-MD_05	3450	69.1	50
RW436-28L35T_-MD_05	3940	78.8	50
RW436-28L45T_-MD_05	4425	88.6	50

## Product Dimensions and Features

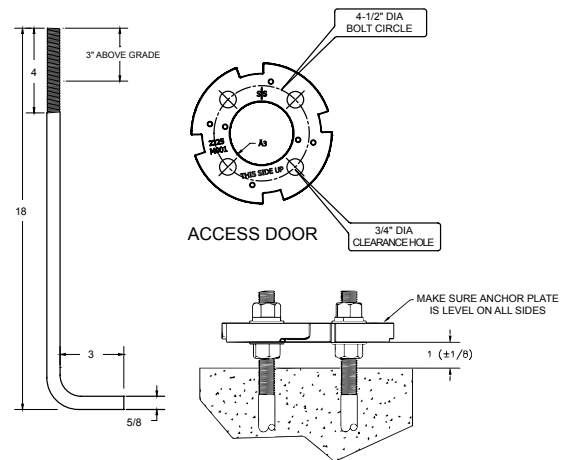


## Options

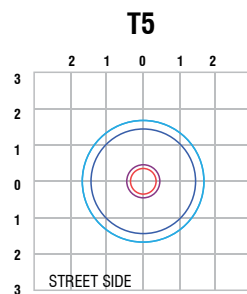
### PEC



## Bolt Circle



## ISO Footcandle Plots



All published luminaire photometric testing performed to IESNA LM-79 standards by NVLAP, certified laboratory. ISO footcandle plots above demonstrate the RIALTA'S light patterns only. Not for total fixture output. For complete specifications and IES files, see website.



**SternbergLighting**  
ESTABLISHED 1923 / EMPLOYEE OWNED

800-621-3376  
555 Lawrence Ave., Roselle, IL 60172  
info@sternberglighting.com  
www.sternberglighting.com